



# Operating Instructions

## VLT<sup>®</sup> HVAC Drive FC 102

1.1-90 kW





**Contents**

|  |           |
|--|-----------|
| <b>1 Introduction</b>                            | <b>3</b>  |
| 1.1 Purpose of the Manual                        | 3         |
| 1.2 Additional Resources                         | 3         |
| 1.3 Document and Software Version                | 3         |
| 1.4 Intended Use                                 | 3         |
| 1.5 Block Diagram of the Frequency Converter     | 4         |
| 1.6 Enclosure Types and Power Ratings            | 4         |
| 1.7 Approvals and Certifications                 | 4         |
| 1.8 Disposal Instruction                         | 4         |
| <b>2 Safety</b>                                  | <b>5</b>  |
| 2.1 Safety Symbols                               | 5         |
| 2.2 Qualified Personnel                          | 5         |
| 2.3 Safety Precautions                           | 5         |
| <b>3 Mechanical Installation</b>                 | <b>7</b>  |
| 3.1 Unpacking                                    | 7         |
| 3.2 Installation Environments                    | 10        |
| 3.3 Mounting                                     | 10        |
| <b>4 Electrical Installation</b>                 | <b>11</b> |
| 4.1 Safety Instructions                          | 11        |
| 4.2 EMC Compliant Installation                   | 11        |
| 4.3 Grounding                                    | 11        |
| 4.4 Wiring Schematic                             | 12        |
| 4.5 Access                                       | 14        |
| 4.6 Motor Connection                             | 14        |
| 4.7 AC Mains Connection                          | 15        |
| 4.8 Control Wiring                               | 16        |
| 4.8.1 Control Terminal Types                     | 16        |
| 4.8.2 Wiring to Control Terminals                | 17        |
| 4.8.3 Enabling Motor Operation (Terminal 27)     | 18        |
| 4.8.4 Voltage/Current Input Selection (Switches) | 18        |
| 4.8.5 Safe Torque Off (STO)                      | 18        |
| 4.8.6 RS-485 Serial Communication                | 19        |
| 4.9 Installation Check List                      | 20        |
| <b>5 Commissioning</b>                           | <b>21</b> |
| 5.1 Safety Instructions                          | 21        |
| 5.2 Applying Power                               | 21        |

|   |           |
|---|-----------|
| 5.3 Local Control Panel Operation         | 21        |
| 5.4 Basic Programming                     | 24        |
| 5.4.1 Commissioning with SmartStart       | 24        |
| 5.4.2 Commissioning via [Main Menu]       | 24        |
| 5.4.3 Asynchronous Motor Setup            | 25        |
| 5.4.4 Permanent Magnet Motor Setup        | 25        |
| 5.4.5 Automatic Energy Optimization (AEO) | 26        |
| 5.4.6 Automatic Motor Adaptation (AMA)    | 26        |
| 5.5 Checking Motor Rotation               | 27        |
| 5.6 Local-control Test                    | 27        |
| 5.7 System Start-up                       | 27        |
| 5.8 Maintenance                           | 27        |
| <b>6 Application Set-up Examples</b>      | <b>28</b> |
| <b>7 Diagnostics and Troubleshooting</b>  | <b>32</b> |
| 7.1 Status Messages                       | 32        |
| 7.2 Warning and Alarm Types               | 34        |
| 7.3 List of Warnings and Alarms           | 35        |
| 7.4 Troubleshooting                       | 41        |
| <b>8 Specifications</b>                   | <b>43</b> |
| 8.1 Electrical Data                       | 43        |
| 8.1.1 Mains Supply 3x200-240 V AC         | 43        |
| 8.1.2 Mains Supply 3x380-480 V AC         | 45        |
| 8.1.3 Mains Supply 3x525-600 V AC         | 47        |
| 8.1.4 Mains Supply 3x525-690 V AC         | 49        |
| 8.2 Mains Supply                          | 51        |
| 8.3 Motor Output and Motor Data           | 51        |
| 8.4 Ambient Conditions                    | 51        |
| 8.5 Cable Specifications                  | 52        |
| 8.6 Control Input/Output and Control Data | 52        |
| 8.7 Connection Tightening Torques         | 55        |
| 8.8 Fuse Specifications                   | 56        |
| 8.9 Power Ratings, Weight and Dimensions  | 62        |
| <b>9 Appendix</b>                         | <b>63</b> |
| 9.1 Symbols and Abbreviations             | 63        |
| 9.2 Parameter Menu Structure              | 63        |
| <b>Index</b>                              | <b>68</b> |

# 1 Introduction

## 1.1 Purpose of the Manual

These operating instructions provide information for safe installation and commissioning of the frequency converter.

The operating instructions are intended for use by qualified personnel.

Read and follow the operating instructions in order to use the frequency converter safely and professionally, and pay particular attention to the safety instructions and general warnings. Keep these operating instructions available with the frequency converter at all times.

## 1.2 Additional Resources

Other resources are available to understand advanced frequency converter functions and programming.

- The *VLT® Programming Guide* provides greater detail on working with parameters and many application examples.
- The *VLT® Design Guide* provides detailed information about capabilities and functionality to design motor control systems.
- Instructions for operation with optional equipment.

Supplementary publications and manuals are available from Danfoss. See [www.danfoss.com/BusinessAreas/DrivesSolutions/Documentations/VLT+Technical+Documentation.htm](http://www.danfoss.com/BusinessAreas/DrivesSolutions/Documentations/VLT+Technical+Documentation.htm) for listings.

Disclosure, duplication and sale of this document, as well as communication of its content, are prohibited unless explicitly permitted. Infringement of this prohibition incurs liability for damages. All rights reserved with regard to patents, utility patents and registered designs. VLT® is a registered trademark.

## 1.3 Document and Software Version

This manual is regularly reviewed and updated. All suggestions for improvement are welcome. *Table 1.1* shows the document version and the corresponding software version.

| Edition  | Remarks           | Software version |
|----------|-------------------|------------------|
| MG11AJxx | Replaces MG11Alxx | 3.92             |

**Table 1.1 Document and Software Version**

## 1.4 Intended Use

The frequency converter is an electronic motor controller that

- regulates motor speed in response to system feedback or to remote commands from external controllers. A power drive system consists of the frequency converter, the motor and equipment driven by the motor.
- monitors aspects of system and motor status.
- can be used for motor protection.

Depending on configuration, the frequency converter can be used in standalone applications or form part of a larger appliance or installation.

The frequency converter is intended for use in residential, industrial and commercial environments in accordance with local laws and standards. Do not use the frequency converter in applications that do not comply with specified designated operating conditions and environments.

### NOTICE

**In a residential environment this product may cause radio interference, in which case supplementary mitigation measures may be required.**

### 1.5 Block Diagram of the Frequency Converter

Illustration 1.1 is a block diagram of the frequency converter's internal components. See Table 1.2 for their functions.

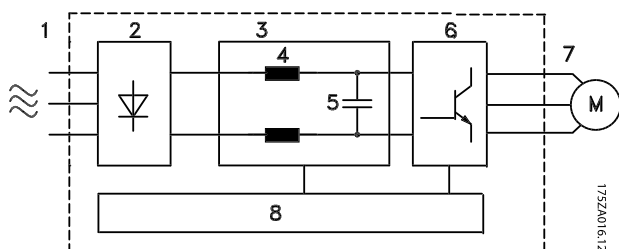


Illustration 1.1 Frequency Converter Block Diagram

| Area | Title           | Functions  |
|------|-----------------|--|
| 1    | Mains input     | <ul style="list-style-type: none"> <li>3-phase AC mains power supply to the frequency converter</li> </ul>   |
| 2    | Rectifier       | <ul style="list-style-type: none"> <li>The rectifier bridge converts the AC input to DC current to supply inverter power</li> </ul>  |
| 3    | DC bus          | <ul style="list-style-type: none"> <li>Intermediate DC-bus circuit handles the DC current</li> </ul>   |
| 4    | DC reactors     | <ul style="list-style-type: none"> <li>Filter the intermediate DC circuit voltage</li> <li>Provide line transient protection</li> <li>Reduce RMS current</li> <li>Raise the power factor reflected back to the line</li> <li>Reduce harmonics on the AC input</li> </ul> |
| 5    | Capacitor bank  | <ul style="list-style-type: none"> <li>Stores the DC power</li> <li>Provides ride-through protection for short power losses</li> </ul>   |
| 6    | Inverter        | <ul style="list-style-type: none"> <li>Converts the DC into a controlled PWM AC waveform for a controlled variable output to the motor</li> </ul>  |
| 7    | Output to motor | <ul style="list-style-type: none"> <li>Regulated 3-phase output power to the motor</li> </ul>  |

| Area | Title             | Functions   |
|------|-------------------|---|
| 8    | Control circuitry | <ul style="list-style-type: none"> <li>Input power, internal processing, output, and motor current are monitored to provide efficient operation and control</li> <li>User interface and external commands are monitored and performed</li> <li>Status output and control can be provided</li> </ul> |

Table 1.2 Legend to Illustration 1.1

### 1.6 Enclosure Types and Power Ratings

For enclosure types and power ratings of the frequency converters, refer to 8.9 Power Ratings, Weight and Dimensions.

### 1.7 Approvals and Certifications



Table 1.3 Approvals and Certifications

More approvals and certifications are available. Contact local Danfoss partner. The T7 (525-690 V) frequency converters are not certified for UL.

The frequency converter complies with UL508C thermal memory retention requirements. For more information refer to the section *Motor Thermal Protection* in the *Design Guide*.

For compliance with the European Agreement concerning International Carriage of Dangerous Goods by Inland Waterways (ADN), refer to *ADN-compliant Installation* in the *Design Guide*.

### 1.8 Disposal Instruction

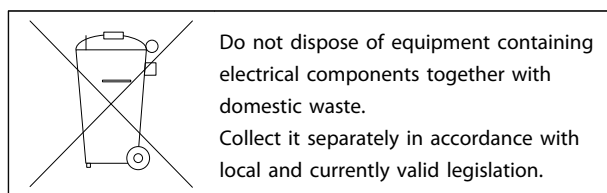


Table 1.4 Disposal Instruction

## 2 Safety

### 2.1 Safety Symbols

The following symbols are used in this document.

#### **⚠ WARNING**

Indicates a potentially hazardous situation which could result in death or serious injury.

#### **⚠ CAUTION**

Indicates a potentially hazardous situation which could result in minor or moderate injury. It may also be used to alert against unsafe practices.

#### **NOTICE**

Indicates important information, including situations that may result in damage to equipment or property.

### 2.2 Qualified Personnel

Correct and reliable transport, storage, installation, operation and maintenance are required for the trouble-free and safe operation of the frequency converter. Only qualified personnel is allowed to install or operate this equipment.

Qualified personnel is defined as trained staff, who are authorised to install, commission, and maintain equipment, systems and circuits in accordance with pertinent laws and regulations. Additionally, the personnel must be familiar with the instructions and safety measures described in this document.

### 2.3 Safety Precautions

#### **⚠ WARNING**

##### **HIGH VOLTAGE!**

Frequency converters contain high voltage when connected to AC mains input power. Installation, start-up, and maintenance must be performed by qualified personnel only. Failure to perform installation, start-up, and maintenance by qualified personnel could result in death or serious injury.

#### **⚠ WARNING**

##### **UNINTENDED START!**

When the frequency converter is connected to AC mains, the motor may start at any time. The frequency converter, motor, and any driven equipment must be in operational readiness. Failure to be in operational readiness when the frequency converter is connected to AC mains could result in death, serious injury, equipment or property damage.

#### **⚠ WARNING**

##### **DISCHARGE TIME!**

Frequency converters contain DC-link capacitors that can remain charged even when the frequency converter is not powered. To avoid electrical hazards, disconnect AC mains, any permanent magnet type motors, and any remote DC-link power supplies, including battery backups, UPS and DC-link connections to other frequency converters. Wait for the capacitors to discharge completely before performing any service or repair work. The amount of waiting time is listed in *Table 2.1*. Failure to wait the specified time after power has been removed before doing service or repair could result in death or serious injury.

| Voltage [V]   | Minimum waiting time [minutes] |            |           |
|---|--------------------------------|------------|-----------|
|   | 4                              | 7          | 15        |
| 200-240   | 1.1-3.7 kW                     |            | 5.5-45 kW |
| 380-480   | 1.1-7.5 kW                     |            | 11-90 kW  |
| 525-600   | 1.1-7.5 kW                     |            | 11-90 kW  |
| 525-690   |                                | 1.1-7.5 kW | 11-90 kW  |
| High voltage may be present even when the warning LED indicator lights are off. |                                |            |           |

Table 2.1 Discharge Time

#### **⚠ WARNING**

##### **LEAKAGE CURRENT HAZARD!**

Leakage currents are higher than 3.5 mA. It is the responsibility of the user or certified electrical installer to ensure correct grounding of the equipment. Failure to ground the frequency converter properly could result in death or serious injury.

**2****⚠ WARNING****EQUIPMENT HAZARD!**

Rotating shafts and electrical equipment can be hazardous. All electrical work must conform to national and local electrical codes. Installation, start-up, and maintenance are performed only by trained and qualified personnel. Failure to follow these guidelines could result in death or serious injury.

**⚠ WARNING****WINDMILLING!**

Unintended rotation of permanent magnet motors causes a risk of personal injury and equipment damage. Ensure permanent magnet motors are blocked to prevent unintended rotation.

**⚠ CAUTION****POTENTIAL HAZARD IN THE EVENT OF INTERNAL FAILURE!**

Risk of personal injury when the frequency converter is not properly closed. Before applying power, ensure all safety covers are in place and securely fastened.



### 3 Mechanical Installation

#### 3.1 Unpacking

##### 3.1.1 Items Supplied

- Check the packaging and the frequency converter visually for damage caused by inappropriate handling during shipment. File any claim for damage with the carrier. Retain damaged parts for clarification.
- Make sure the items supplied and the information on the nameplate correspond to the order confirmation.

|    |  |
|----|--|
| 1  | Type code  |
| 2  | Order number   |
| 3  | Power rating   |
| 4  | Input voltage, frequency and current (at low/high voltages)  |
| 5  | Output voltage, frequency and current (at low/high voltages) |
| 6  | Enclosure type and IP rating                                 |
| 7  | Maximum ambient temperature                                  |
| 8  | Certifications   |
| 9  | Discharge time (Warning)                                     |
| 10 | Serial number  |

Table 3.1 Legend to Illustration 3.1

#### NOTICE

Do not remove the nameplate from the frequency converter (loss of warranty).

#### 3.1.2 Storage

Ensure that requirements for storage are fulfilled. Refer to 8.4 Ambient Conditions for further details.

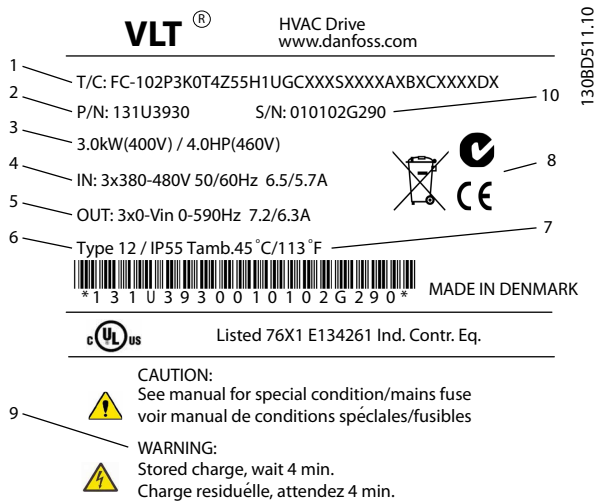


Illustration 3.1 Product Nameplate (Example)

3.1.3 Product Overview

3

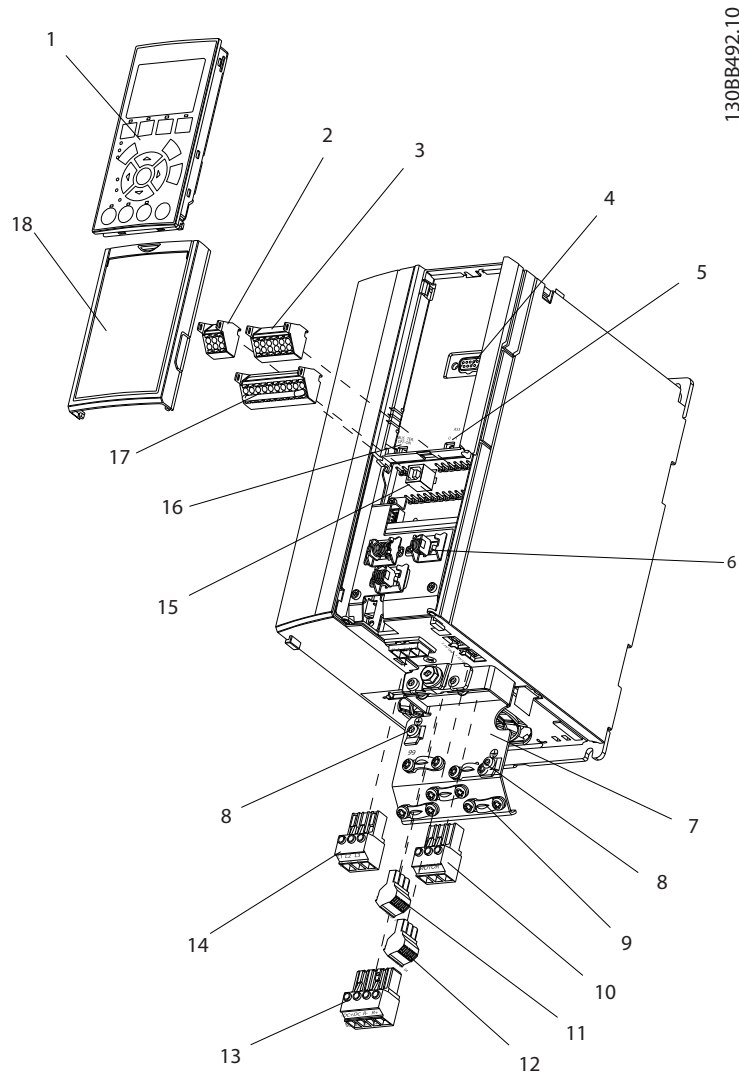
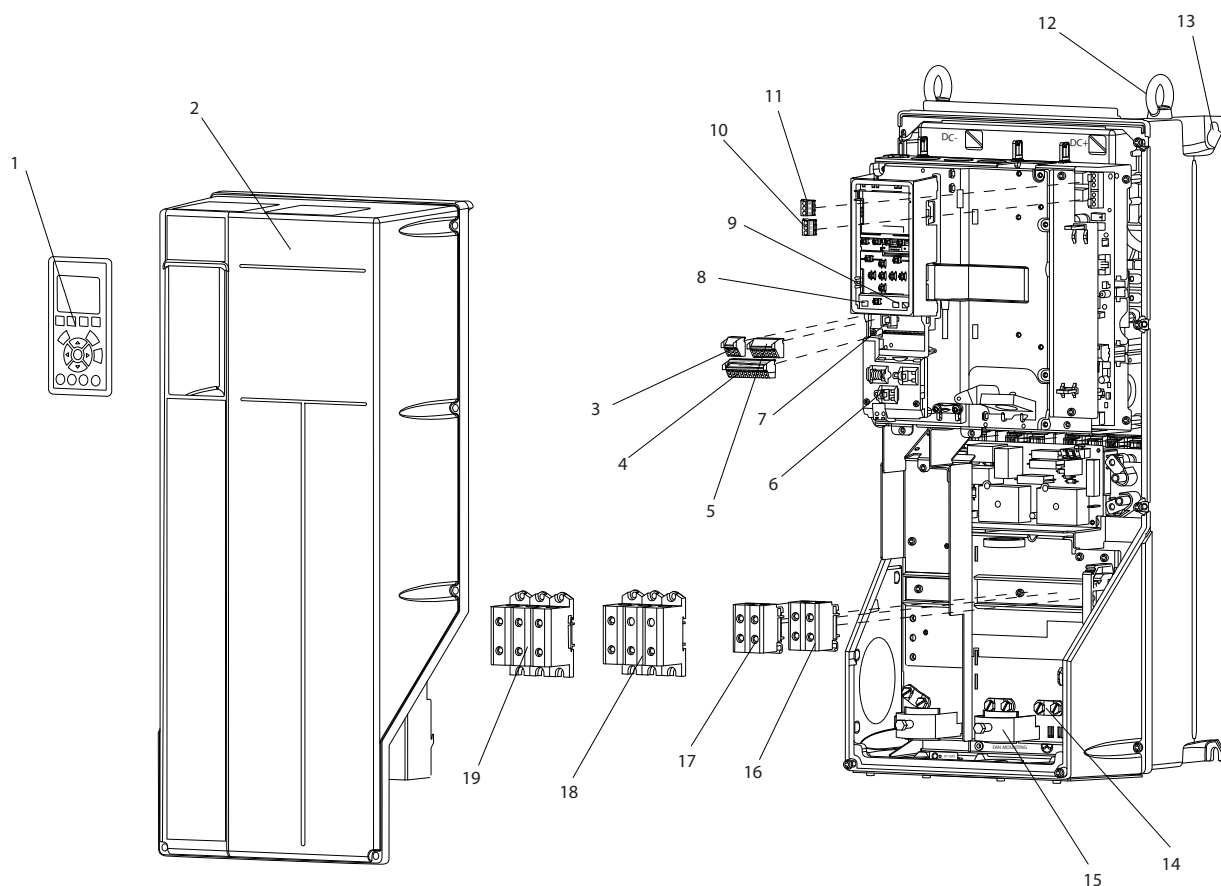


Illustration 3.2 Exploded View Enclosure Type A, IP20

|   |  |    |  |
|---|--|----|--|
| 1 | Local control panel (LCP)                        | 10 | Motor output terminals 96 (U), 97 (V), 98 (W)          |
| 2 | RS-485 serial bus connector (+68, -69)           | 11 | Relay 2 (01, 02, 03)                                   |
| 3 | Analog I/O connector                             | 12 | Relay 1 (04, 05, 06)                                   |
| 4 | LCP input plug                                   | 13 | Brake (-81, +82) and load sharing (-88, +89) terminals |
| 5 | Analog switches (A53), (A54)                     | 14 | Mains input terminals 91 (L1), 92 (L2), 93 (L3)        |
| 6 | Cable screen connector                           | 15 | USB connector  |
| 7 | Decoupling plate                                 | 16 | Serial bus terminal switch                             |
| 8 | Grounding clamp (PE)                             | 17 | Digital I/O and 24 V power supply                      |
| 9 | Shielded cable grounding clamp and strain relief | 18 | Cover  |

Table 3.2 Legend to *Illustration 3.2*



1308B493:10

3

Illustration 3.3 Exploded View Enclosure Types B and C, IP55 and IP66

|    |                                   |    |   |
|----|-----------------------------------|----|---|
| 1  | Local control panel (LCP)         | 11 | Relay 2 (04, 05, 06)                            |
| 2  | Cover                             | 12 | Lifting ring                                    |
| 3  | RS-485 serial bus connector       | 13 | Mounting slot                                   |
| 4  | Digital I/O and 24 V power supply | 14 | Grounding clamp (PE)                            |
| 5  | Analog I/O connector              | 15 | Cable screen connector                          |
| 6  | Cable screen connector            | 16 | Brake terminal (-81, +82)                       |
| 7  | USB connector                     | 17 | Load sharing terminal (DC bus) (-88, +89)       |
| 8  | Serial bus terminal switch        | 18 | Motor output terminals 96 (U), 97 (V), 98 (W)   |
| 9  | Analog switches (A53), (A54)      | 19 | Mains input terminals 91 (L1), 92 (L2), 93 (L3) |
| 10 | Relay 1 (01, 02, 03)              |    |   |

Table 3.3 Legend to Illustration 3.3

## 3.2 Installation Environments

### NOTICE

In environments with airborne liquids, particles, or corrosive gases, ensure that the IP/Type rating of the equipment matches the installation environment. Failure to meet requirements for ambient conditions can reduce lifetime of the frequency converter. Ensure that requirements for air humidity, temperature and altitude are met.

#### Vibration and Shock

The frequency converter complies with requirements for units mounted on the walls and floors of production premises, as well as in panels bolted to walls or floors.

For detailed ambient conditions specifications, refer to 8.4 *Ambient Conditions*.

## 3.3 Mounting

### NOTICE

Improper mounting can result in overheating and reduced performance.

#### Cooling

- Ensure that top and bottom clearance for air cooling is provided. See *Illustration 3.4* for clearance requirements.

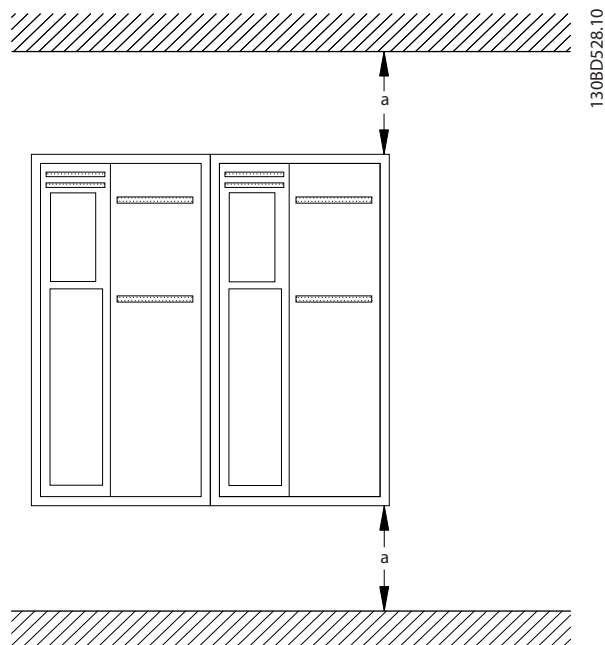


Illustration 3.4 Top and Bottom Cooling Clearance

| Enclosure | A2-A5 | B1-B4 | C1, C3 | C2, C4 |
|-----------|-------|-------|--------|--------|
| a (mm)    | 100   | 200   | 200    | 225    |

Table 3.4 Minimum Airflow Clearance Requirements

#### Lifting

- To determine a safe lifting method, check the weight of the unit, see 8.9 *Power Ratings, Weight and Dimensions*.
- Ensure that the lifting device is suitable for the task.
- If necessary, plan for a hoist, crane, or forklift with the appropriate rating to move the unit.
- For lifting, use hoist rings on the unit, when provided.

#### Mounting

- Ensure that the strength of the mounting location supports the unit weight. The frequency converter allows side-by-side installation.
- Mount the unit vertically on a solid flat surface or on the optional back plate.
- Use the slotted mounting holes on the unit for wall mounting, when provided.

#### Mounting with back plate and railings

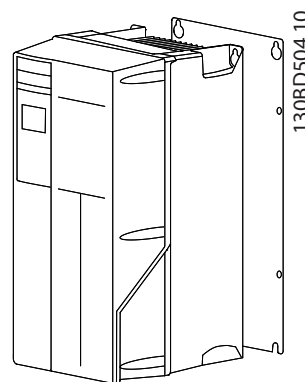


Illustration 3.5 Proper Mounting with Back Plate

### NOTICE

Back plate is required when mounted on railings.

## 4 Electrical Installation

### 4.1 Safety Instructions

See 2 *Safety* for general safety instructions.

#### **⚠ WARNING**

##### **INDUCED VOLTAGE!**

Induced voltage from output motor cables that run together can charge equipment capacitors even with the equipment turned off and locked out. Failure to run output motor cables separately or use screened cables could result in death or serious injury.

#### **⚠ CAUTION**

##### **DC CURRENT HAZARD!**

A DC current in the protective grounding conductor can be caused by the frequency converters. When a residual current-operated protective or monitoring device (RCD/RCM) is used for protection, only an RCD or RCM of Type B is allowed.

##### **Over-current Protection**

- Additional protective equipment such as short-circuit protection or motor thermal protection between frequency converter and motor is required for applications with multiple motors.
- Input fusing is required to provide short-circuit and over-current protection. If not factory-supplied, fuses must be provided by the installer. See maximum fuse ratings in *8.8 Fuse Specifications*.

##### **Wire Type and Ratings**

- All wiring must comply with local and national regulations regarding cross-section and ambient temperature requirements.
- Power connection wire recommendation: minimum 75 °C rated copper wire.

See *8.1 Electrical Data* and *8.5 Cable Specifications* for recommended wire sizes and types.

### 4.2 EMC Compliant Installation

To obtain an EMC compliant installation, follow the instructions provided in *4.3 Grounding*, *4.4 Wiring Schematic*, *4.6 Motor Connection* and *4.8 Control Wiring*.

### 4.3 Grounding

#### **⚠ WARNING**

##### **LEAKAGE CURRENT HAZARD!**

Leakage currents are higher than 3.5 mA. It is the responsibility of the user or certified electrical installer to ensure correct grounding of the equipment. Failure to ground the frequency converter properly could result in death or serious injury.

##### **For electrical safety**

- Ground the frequency converter properly in accordance with applicable standards and directives.
- Use a dedicated ground wire for input power, motor power and control wiring.
- Do not ground one frequency converter to another in a “daisy chain” fashion.
- Keep the ground wire connections as short as possible.
- Do not use pigtails.
- Follow motor manufacturer wiring requirements.
- Minimum cable cross-section: 10 mm<sup>2</sup> (or 2 rated earth wires terminated separately).

##### **For EMC compliant installation**

- Establish electrical contact between cable shield and frequency converter enclosure by using metal cable glands or by using the clamps provided on the equipment.
- Use high-strand wire to reduce electrical interference.

#### **NOTICE**

##### **POTENTIAL EQUALISATION!**

Electrical interference risks disturbing the entire installation, when the ground potential between the frequency converter and the system is different. To avoid electrical interference, install equalising cables between the system components. Recommended cable cross-section: 16 mm<sup>2</sup>.

### 4.4 Wiring Schematic

4

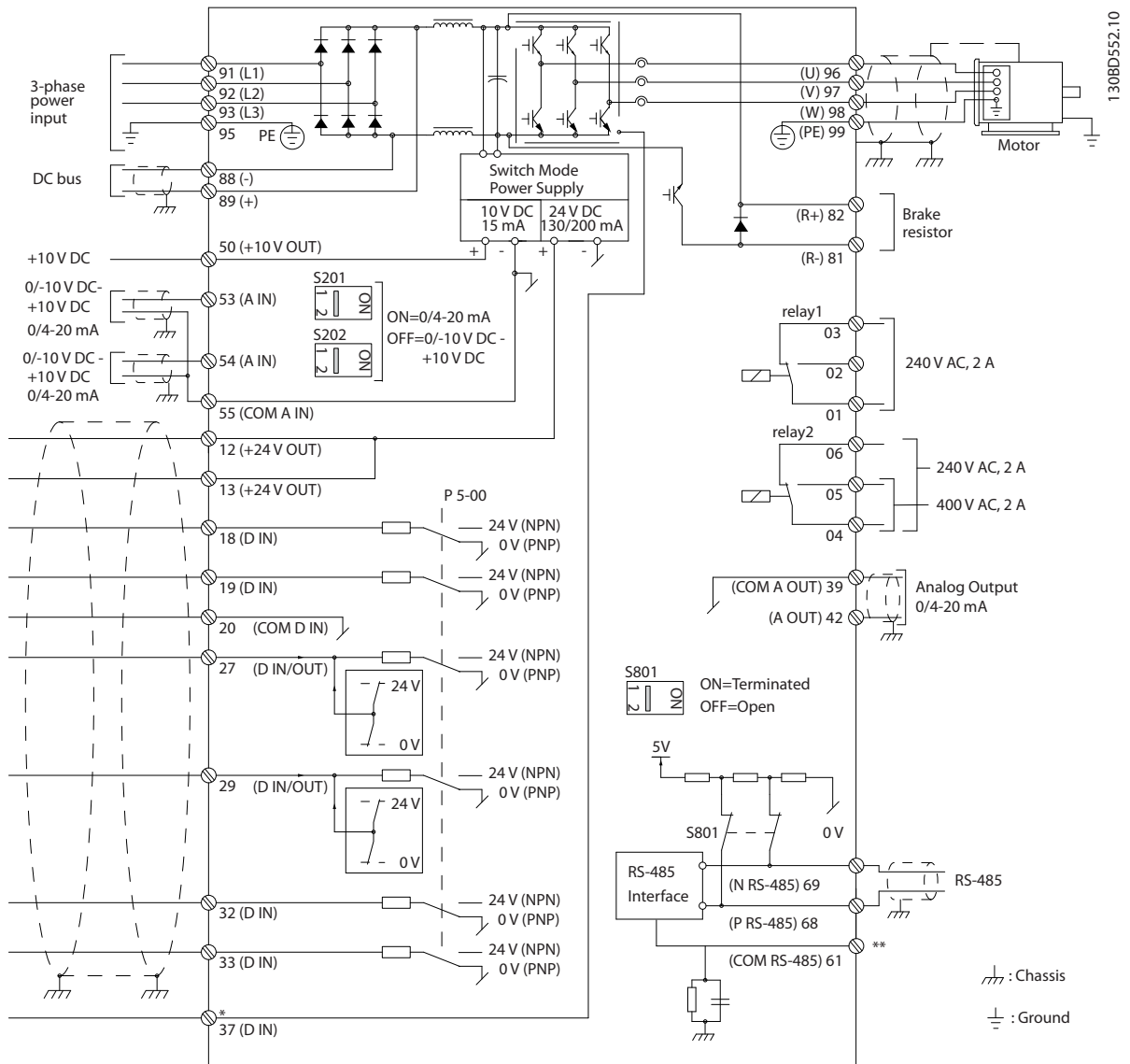
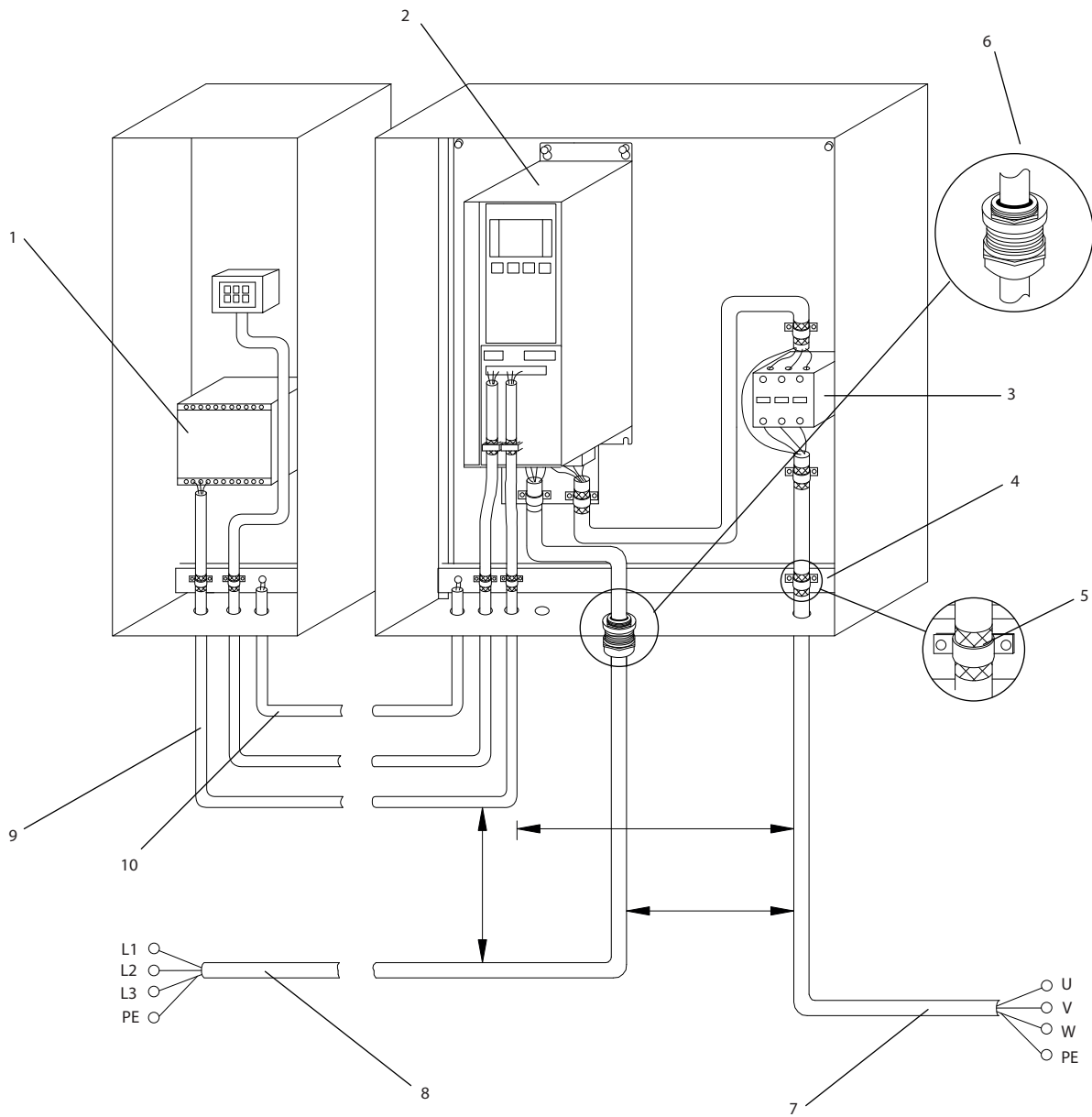


Illustration 4.1 Basic Wiring Schematic

A=Analog, D=Digital

\*Terminal 37 (optional) is used for Safe Torque Off. For Safe Torque Off installation instructions, refer to the *Safe Torque Off Operating Instructions for Danfoss VLT® Frequency Converters*.

\*\*Do not connect cable screen.



1308D529.10

4

Illustration 4.2 EMC-correct Electrical Connection

|   |                             |    |   |
|---|-----------------------------|----|---|
| 1 | PLC                         | 6  | Shielded cable                                |
| 2 | Frequency converter         | 7  | Motor, 3-phase and PE                         |
| 3 | Output contactor            | 8  | Mains, 3-phase and reinforced PE              |
| 4 | Grounding rail (PE)         | 9  | Control wiring                                |
| 5 | Cable insulation (stripped) | 10 | Equalising min. 16 mm <sup>2</sup> (0.025 in) |

Table 4.1 Legend to Illustration 4.2

**NOTICE**

**EMC INTERFERENCE!**

Use separated shielded cables for input power, motor wiring and control wiring, or run cables in 3 separate metallic conduits. Failure to isolate power, motor and control wiring can result in unintended behaviour or reduced performance. Minimum 200 mm (7.9 in) clearance between control cables, motor and mains.

## 4.5 Access

- Remove cover with a screw driver (See *Illustration 4.3*) or by loosening attaching screws (See *Illustration 4.4*).

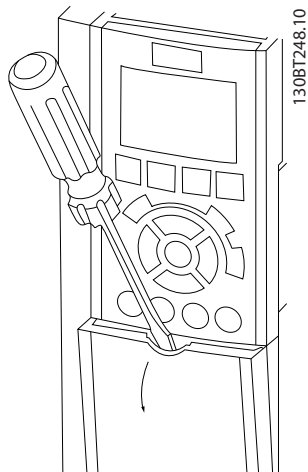


Illustration 4.3 Access to Wiring for IP20 and IP21 Enclosures

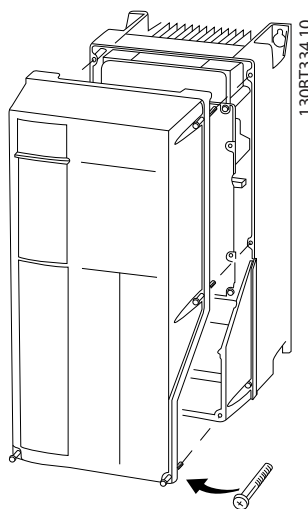


Illustration 4.4 Access to Wiring for IP55 and IP66 Enclosures

See *Table 4.2* before tightening the covers.

| Enclosure                                   | IP55 | IP66 |
|---|------|------|
| A4/A5                                       | 2    | 2    |
| B1/B2                                       | 2.2  | 2.2  |
| C1/C2                                       | 2.2  | 2.2  |
| No screws to tighten for A2/A3/B3/B4/C3/C4. |      |      |

Table 4.2 Tightening Torques for Covers [Nm]

## 4.6 Motor Connection

### **WARNING**

#### INDUCED VOLTAGE!

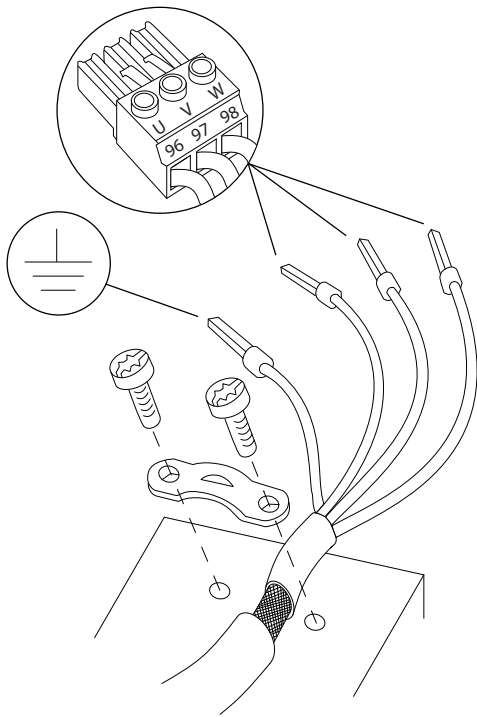
Induced voltage from output motor cables that run together can charge equipment capacitors even with the equipment turned off and locked out. Failure to run output motor cables separately or use screened cables could result in death or serious injury.

- Comply with local and national electrical codes for cable sizes. For maximum wire sizes see *8.1 Electrical Data*.
- Follow motor manufacturer wiring requirements.
- Motor wiring knockouts or access panels are provided at the base of IP21 (NEMA1/12) and higher units.
- Do not wire a starting or pole-changing device (e.g. Dahlander motor or slip ring induction motor) between the frequency converter and the motor.

#### Procedure

- Strip a section of the outer cable insulation.
- Position the stripped wire under the cable clamp to establish mechanical fixation and electrical contact between cable shield and ground.
- Connect ground wire to the nearest grounding terminal in accordance with grounding instructions provided in *4.3 Grounding*, see *Illustration 4.5*.
- Connect the 3-phase motor wiring to terminals 96 (U), 97 (V), and 98 (W), see *Illustration 4.5*.
- Tighten terminals in accordance with the information provided in *8.7 Connection Tightening Torques*.

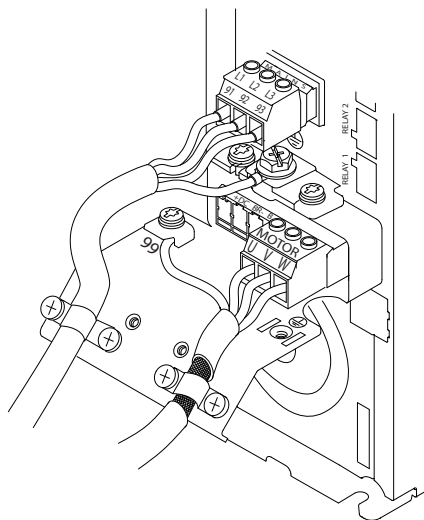




130BD531.10

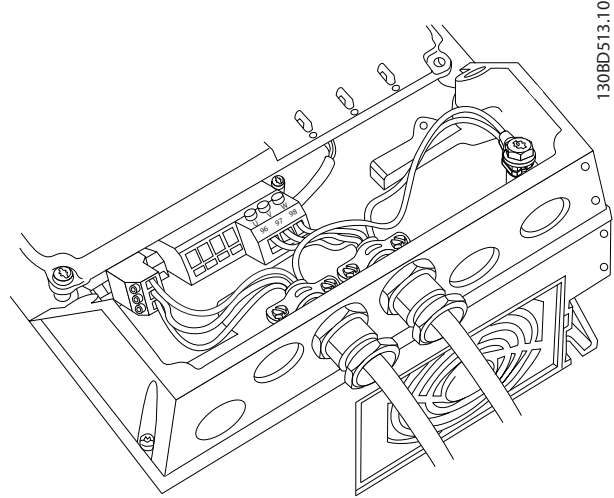
Illustration 4.5 Motor Connection

Illustration 4.6, Illustration 4.7 and Illustration 4.8 represent mains input, motor, and grounding for basic frequency converters. Actual configurations vary with unit types and optional equipment.



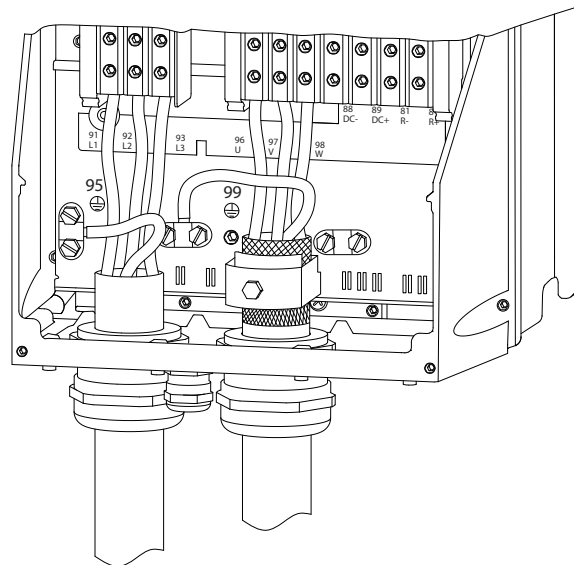
130BD577.10

Illustration 4.6 Motor, Mains and Ground Wiring for Enclosure Types A2 and A3



130BD513.10

Illustration 4.7 Motor, Mains and Ground Wiring for Enclosure Types A4 and A5



130BA390.11

Illustration 4.8 Motor, Mains and Ground Wiring for Enclosure Types B and C Using Shielded Cable

## 4.7 AC Mains Connection

- Size wiring based upon the input current of the frequency converter. For maximum wire sizes see 8.1 *Electrical Data*.
- Comply with local and national electrical codes for cable sizes.

### Procedure

1. Connect 3-phase AC input power wiring to terminals L1, L2, and L3 (see *Illustration 4.9*).
2. Depending on the configuration of the equipment, input power will be connected to the mains input terminals or the input disconnect.

3. Ground the cable in accordance with grounding instructions provided in 4.3 *Grounding*.
4. When supplied from an isolated mains source (IT mains or floating delta) or TT/TN-S mains with a grounded leg (grounded delta), ensure that 14-50 RFI Filter is set to OFF to avoid damage to the intermediate circuit and to reduce earth capacity currents in accordance with IEC 61800-3.

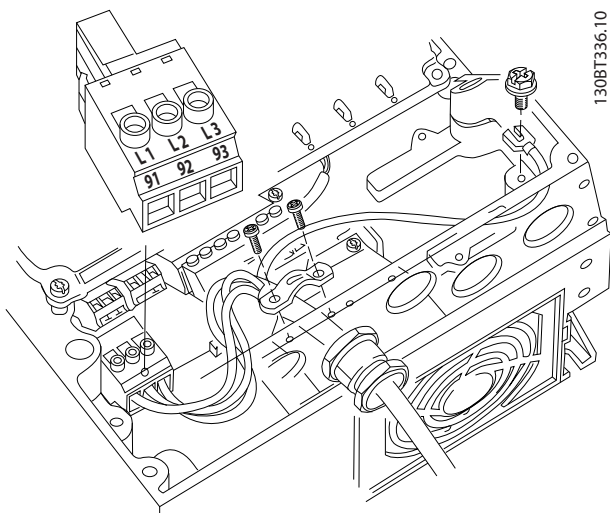


Illustration 4.9 Connecting to AC Mains

### 4.8.1 Control Terminal Types

Illustration 4.10 shows the removable frequency converter connectors. Terminal functions and default settings are summarised in Table 4.3.

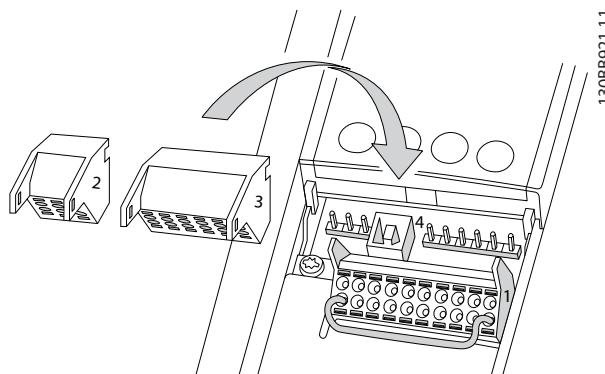


Illustration 4.10 Control Terminal Locations

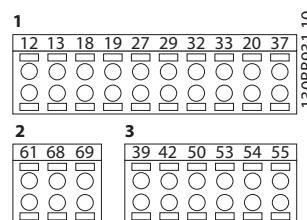


Illustration 4.11 Terminal Numbers

## 4.8 Control Wiring

- Isolate control wiring from high power components in the frequency converter.
- When the frequency converter is connected to a thermistor, ensure that the thermistor control wiring is screened and reinforced/double insulated. A 24 V DC supply voltage is recommended.
- **Connector 1** provides four programmable digital inputs terminals, two additional digital terminals programmable as either input or output, a 24 V DC terminal supply voltage, and a common for optional customer supplied 24 V DC voltage.
- **Connector 2** terminals (+)68 and (-)69 are for an RS-485 serial communications connection
- **Connector 3** provides two analog inputs, one analog output, 10 V DC supply voltage, and commons for the inputs and output
- **Connector 4** is a USB port available for use with the MCT 10 Set-up Software

| Terminal description          |           |                       |  |
|-------------------------------|-----------|-----------------------|--|
| Terminal                      | Parameter | Default Setting       | Description  |
| <b>Digital Inputs/Outputs</b> |           |                       |  |
| 12, 13                        | -         | +24 V DC              | 24 V DC supply voltage. Maximum output current is 200 mA total for all 24 V loads. Usable for digital inputs and external transducers. |
| 18                            | 5-10      | [8] Start             | Digital inputs.  |
| 19                            | 5-11      | [0] No operation      |  |
| 32                            | 5-14      | [0] No operation      |  |
| 33                            | 5-15      | [0] No operation      |  |
| 27                            | 5-12      | [2] Coast inverse     | Selectable for digital input and output.   |
| 29                            | 5-13      | [14] JOG              | Default setting is input.  |
| 20                            | -         |                       | Common for digital inputs and 0 V potential for 24 V supply.   |
| 37                            | -         | Safe Torque Off (STO) | Safe input (optional). Used for STO.   |
| <b>Analog Inputs/Outputs</b>  |           |                       |  |
| 39                            | -         |                       | Common for analog output   |
| 42                            | 6-50      | Speed 0 - High Limit  | Programmable analog output. The analog signal is 0-20 mA or 4-20 mA at a maximum of 500 Ω  |
| 50                            | -         | +10 V DC              | 10 V DC analog supply voltage. 15 mA maximum commonly used for potentiometer or thermistor.  |
| 53                            | 6-1       | Reference             | Analog input.  |
| 54                            | 6-2       | Feedback              | Selectable for voltage or current. Switches A53 and A54 select mA or V.  |
| 55                            | -         |                       | Common for analog input  |
| <b>Serial Communication</b>   |           |                       |  |
| 61                            | -         |                       | Integrated RC-Filter for cable screen. ONLY for connecting the screen when experiencing EMC problems.                                  |

|               |          |             |  |
|---------------|----------|-------------|--|
| 68 (+)        | 8-3      |             | RS-485 Interface. A control card switch is provided for termination resistance.    |
| 69 (-)        | 8-3      |             |  |
| <b>Relays</b> |          |             |  |
| 01, 02, 03    | 5-40 [0] | [0] Alarm   | Form C relay output. Usable for AC or DC voltage and resistive or inductive loads. |
| 04, 05, 06    | 5-40 [1] | [0] Running |  |

Table 4.3 Terminal Description

**Additional terminals:**

- 2 form C relay outputs. Location of the outputs depends on frequency converter configuration.
- Terminals located on built-in optional equipment. See the manual provided with the equipment option.

## 4.8.2 Wiring to Control Terminals

Control terminal connectors can be unplugged from the frequency converter for ease of installation, as shown in *Illustration 4.10*.

### NOTICE

**Keep control wires as short as possible and separate from high power cables to minimise interference.**

1. Open the contact by inserting a small screw driver into the slot above the contact and push the screw driver slightly upwards.

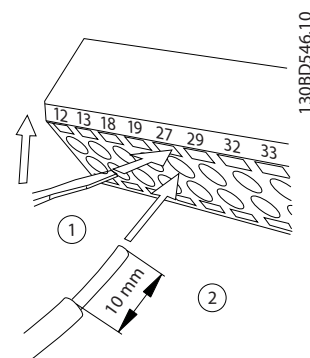


Illustration 4.12 Connecting Control Wires

2. Insert the bared control wire into the contact.
3. Remove the screw driver to fasten the control wire into the contact.
4. Ensure the contact is firmly established and not loose. Loose control wiring can be the source of equipment faults or less than optimal operation.

See 8.5 *Cable Specifications* for control terminal wiring sizes and 6 *Application Set-up Examples* for typical control wiring connections.

### 4.8.3 Enabling Motor Operation (Terminal 27)

A jumper wire may be required between terminal 12 (or 13) and terminal 27 for the frequency converter to operate when using factory default programming values.

- Digital input terminal 27 is designed to receive an 24 V DC external interlock command. In many applications, the user wires an external interlock device to terminal 27
- When no interlock device is used, wire a jumper between control terminal 12 (recommended) or 13 to terminal 27. This provides an internal 24 V signal on terminal 27
- No signal present prevents the unit from operating
- When the status line at the bottom of the LCP reads AUTO REMOTE COAST, this indicates that the unit is ready to operate but is missing an input signal on terminal 27.
- When factory installed optional equipment is wired to terminal 27, do not remove that wiring

#### NOTICE

The frequency converter cannot operate without a signal on terminal 27 unless terminal 27 is re-programmed.

### 4.8.4 Voltage/Current Input Selection (Switches)

The analog input terminals 53 and 54 allow setting of input signal to voltage (0-10 V) or current (0/4-20 mA).

#### Default parameter settings:

- Terminal 53: speed reference signal in open loop (see 16-61 *Terminal 53 Switch Setting*).
- Terminal 54: feedback signal in closed loop (see 16-63 *Terminal 54 Switch Setting*).

#### NOTICE

Remove power to the frequency converter before changing switch positions.

1. Remove the local control panel (see *Illustration 4.13*).
2. Remove any optional equipment covering the switches.
3. Set switches A53 and A54 to select the signal type. U selects voltage, I selects current.

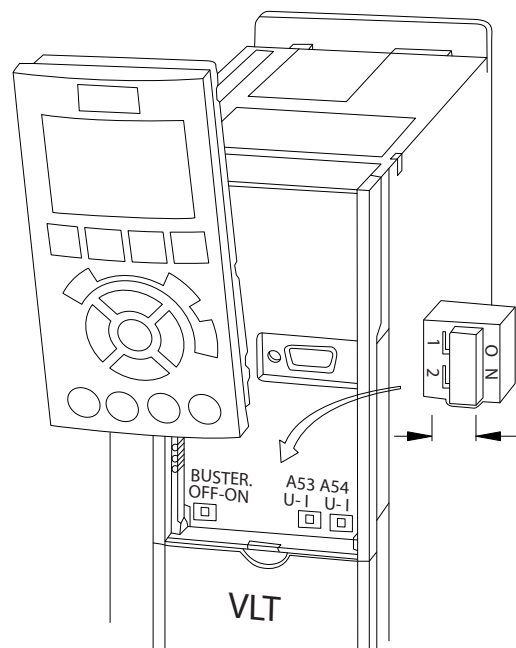


Illustration 4.13 Location of Terminals 53 and 54 Switches

### 4.8.5 Safe Torque Off (STO)

To run Safe Torque Off, additional wiring for the frequency converter is required, refer to *Safe Torque Off Operating Instructions for Danfoss VLT® Frequency Converters* for further information.

#### 4.8.6 RS-485 Serial Communication

Up to 32 nodes can be connected as a bus, or via drop cables from a common trunk line to 1 network segment. Repeaters can divide network segments. Each repeater functions as a node within the segment in which it is installed. Each node connected within a given network must have a unique node address, across all segments.

- Connect RS-485 serial communication wiring to terminals (+)68 and (-)69.
- Terminate each segment at both ends, using either the termination switch (bus term on/off, see *Illustration 4.13*) on the frequency converters, or a biased termination resistor network.
- Connect a large surface of the screen to ground, for example with a cable clamp or a conductive cable gland.
- Apply potential-equalising cables to maintain the same ground potential throughout the network.
- Use the same type of cable throughout the entire network to prevent impedance mismatch.

|                       |   |
|-----------------------|---|
| Cable                 | Screened twisted pair (STP)                           |
| Impedance             | 120 $\Omega$  |
| Max. cable length [m] | 1200 (including drop lines)<br>500 station-to-station |

**Table 4.4 Cable Information**

## 4.9 Installation Check List

Before completing installation of the unit, inspect the entire installation as detailed in *Table 4.5*. Check and mark the items when completed.

4

| Inspect for                   | Description   | <input checked="" type="checkbox"/> |
|-------------------------------|---|-------------------------------------|
| Auxiliary equipment           | <ul style="list-style-type: none"> <li>Look for auxiliary equipment, switches, disconnects, or input fuses/circuit breakers that may reside on the input power side of the frequency converter or output side to the motor. Ensure that they are ready for full-speed operation</li> <li>Check function and installation of any sensors used for feedback to the frequency converter</li> <li>Remove any power factor correction caps on motor(s)</li> <li>Adjust any power factor correction caps on the mains side and ensure that they are dampened</li> </ul> |                                     |
| Cable routing                 | <ul style="list-style-type: none"> <li>Ensure that motor wiring and control wiring are separated or screened or in 3 separate metallic conduits for high-frequency interference isolation</li> </ul>  |                                     |
| Control wiring                | <ul style="list-style-type: none"> <li>Check for broken or damaged wires and loose connections</li> <li>Check that control wiring is isolated from power and motor wiring for noise immunity</li> <li>Check the voltage source of the signals, if necessary</li> <li>The use of shielded cable or twisted pair is recommended. Ensure that the shield is terminated correctly</li> </ul>  |                                     |
| Cooling clearance             | <ul style="list-style-type: none"> <li>Measure that top and bottom clearance is adequate to ensure proper air flow for cooling, see <i>3.3 Mounting</i></li> </ul>  |                                     |
| Ambient conditions            | <ul style="list-style-type: none"> <li>Check that requirements for ambient conditions are met</li> </ul>  |                                     |
| Fusing and circuit breakers   | <ul style="list-style-type: none"> <li>Check for proper fusing or circuit breakers</li> <li>Check that all fuses are inserted firmly and are in operational condition and that all circuit breakers are in the open position</li> </ul>   |                                     |
| Grounding                     | <ul style="list-style-type: none"> <li>Check for good ground connections that are tight and free of oxidation</li> <li>Grounding to conduit, or mounting the back panel to a metal surface, is not a suitable grounding</li> </ul>  |                                     |
| Input and output power wiring | <ul style="list-style-type: none"> <li>Check for loose connections</li> <li>Check that motor and mains are in separate conduit or separated screened cables</li> </ul>  |                                     |
| Panel interior                | <ul style="list-style-type: none"> <li>Inspect that the unit interior is free of dirt, metal chips, moisture, and corrosion</li> <li>Check that the unit is mounted on an unpainted, metal surface</li> </ul>   |                                     |
| Switches                      | <ul style="list-style-type: none"> <li>Ensure that all switch and disconnect settings are in the proper positions</li> </ul>  |                                     |
| Vibration                     | <ul style="list-style-type: none"> <li>Check that the unit is mounted solidly, or that shock mounts are used, as necessary</li> <li>Check for an unusual amount of vibration</li> </ul>   |                                     |

Table 4.5 Installation Check List

### **CAUTION**

#### **POTENTIAL HAZARD IN THE EVENT OF INTERNAL FAILURE!**

Risk of personal injury when the frequency converter is not properly closed. Before applying power, ensure all safety covers are in place and securely fastened.

## 5 Commissioning

### 5.1 Safety Instructions

See 2 *Safety* for general safety instructions.

#### **⚠ WARNING**

##### **HIGH VOLTAGE!**

Frequency converters contain high voltage when connected to AC mains input power. Installation, start-up, and maintenance must be performed by qualified personnel only. Failure to perform installation, start-up, and maintenance by qualified personnel could result in death or serious injury.

##### **Before applying power:**

1. Close cover properly.
2. Check that all cable glands are firmly tightened.
3. Ensure that input power to the unit is OFF and locked out. Do not rely on the frequency converter disconnect switches for input power isolation.
4. Verify that there is no voltage on input terminals L1 (91), L2 (92), and L3 (93), phase-to-phase and phase-to-ground.
5. Verify that there is no voltage on output terminals 96 (U), 97 (V), and 98 (W), phase-to-phase and phase-to-ground.
6. Confirm continuity of the motor by measuring ohm values on U-V (96-97), V-W (97-98), and W-U (98-96).
7. Check for proper grounding of the frequency converter as well as the motor.
8. Inspect the frequency converter for loose connections on terminals.
9. Confirm that the supply voltage matches voltage of frequency converter and motor.

### 5.2 Applying Power

#### **⚠ WARNING**

##### **UNINTENDED START!**

When the frequency converter is connected to AC mains, the motor may start at any time. The frequency converter, motor, and any driven equipment must be in operational readiness. Failure to be in operational readiness when the frequency converter is connected to AC mains could result in death, serious injury, equipment or property damage.

1. Confirm that the input voltage is balanced within 3%. If not, correct input voltage imbalance before proceeding. Repeat this procedure after the voltage correction.
2. Ensure that optional equipment wiring, if present, matches the installation application.
3. Ensure that all operator devices are in the OFF position. Panel doors must be closed or cover mounted.
4. Apply power to the unit. DO NOT start the frequency converter at this time. For units with a disconnect switch, turn to the ON position to apply power to the frequency converter.

#### **NOTICE**

If the status line at the bottom of the LCP reads **AUTO REMOTE COASTING** or **Alarm 60 External Interlock** is displayed, this indicates that the unit is ready to operate but is missing an input signal on terminal 27. See 4.8.3 *Enabling Motor Operation (Terminal 27)* for details.

### 5.3 Local Control Panel Operation

#### 5.3.1 Local Control Panel

The local control panel (LCP) is the combined display and keypad on the front of the unit.

##### **The LCP has several user functions:**

- Start, stop, and control speed when in local control
- Display operational data, status, warnings and cautions
- Programming frequency converter functions
- Manually reset the frequency converter after a fault when auto-reset is inactive

An optional numeric LCP (NLCP) is also available. The NLCP operates in a manner similar to the LCP. See the *Programming Guide* for details on use of the NLCP.

#### **NOTICE**

For commissioning via PC, install MCT 10 Set-up Software. The software is available for downloading at [www.danfoss.com/BusinessAreas/DrivesSolutions/software-download](http://www.danfoss.com/BusinessAreas/DrivesSolutions/software-download) (basic version) or for ordering (advanced version, order number 130B1000).

### 5.3.2 LCP Layout

The LCP is divided into 4 functional groups (see *Illustration 5.1*).

- A. Display area
- B. Display menu keys
- C. Navigation keys and indicator lights (LEDs)
- D. Operation keys and reset

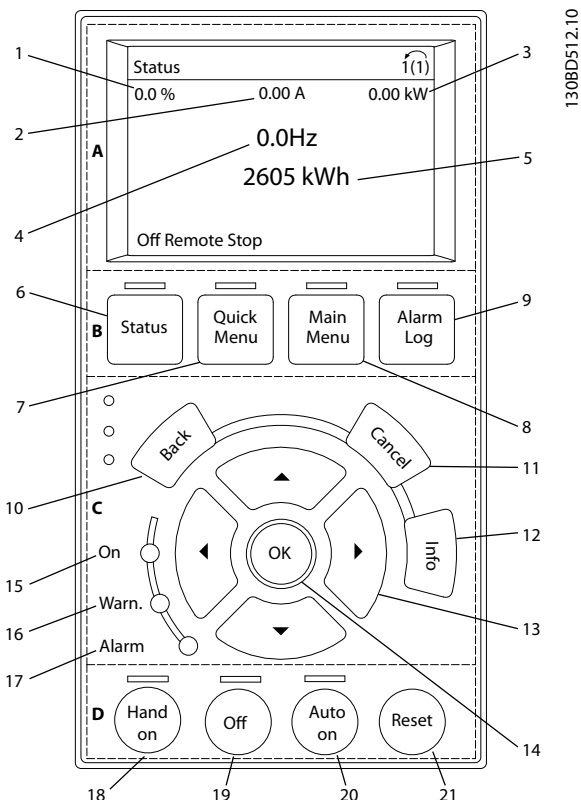


Illustration 5.1 Local Control Panel (LCP)

#### A. Display Area

The display area is activated when the frequency converter receives power from mains voltage, a DC bus terminal, or an external 24 V DC supply.

The information displayed on the LCP can be customized for user application. Select options in the Quick Menu Q3-13 *Display Settings*.

| Display | Parameter number | Default setting |
|---------|------------------|-----------------|
| 1       | 0-20             | Reference %     |
| 2       | 0-21             | Motor current   |
| 3       | 0-22             | Power [kW]      |
| 4       | 0-23             | Frequency       |
| 5       | 0-24             | kWh counter     |

Table 5.1 Legend to *Illustration 5.1*, Display Area

#### B. Display Menu Keys

Menu keys are used for menu access for parameter set-up, toggling through status display modes during normal operation, and viewing fault log data.

|   | Key        | Function  |
|---|------------|---|
| 6 | Status     | Shows operational information.  |
| 7 | Quick Menu | Allows access to programming parameters for initial set-up instructions and many detailed application instructions. |
| 8 | Main Menu  | Allows access to all programming parameters.  |
| 9 | Alarm Log  | Displays a list of current warnings, the last 10 alarms, and the maintenance log.                                   |

Table 5.2 Legend to *Illustration 5.1*, Display Menu Keys

#### C. Navigation Keys and Indicator Lights (LEDs)

Navigation keys are used for programming functions and moving the display cursor. The navigation keys also provide speed control in local (hand) operation. There are also 3 frequency converter status indicator lights in this area.

|    | Key             | Function  |
|----|-----------------|---|
| 10 | Back            | Reverts to the previous step or list in the menu structure.                     |
| 11 | Cancel          | Cancels the last change or command as long as the display mode has not changed. |
| 12 | Info            | Press for a definition of the function being displayed.                         |
| 13 | Navigation Keys | Use the 4 navigation keys to move between items in the menu.                    |
| 14 | OK              | Use to access parameter groups or to enable a choice.                           |

Table 5.3 Legend to *Illustration 5.1*, Navigation Keys

|    | Indicator | Light  | Function  |
|----|-----------|--------|---|
| 15 | ON        | Green  | The ON light activates when the frequency converter receives power from mains voltage, a DC bus terminal, or an external 24 V supply. |
| 16 | WARN      | Yellow | When warning conditions are met, the yellow WARN light comes on and text appears in the display area identifying the problem.         |
| 17 | ALARM     | Red    | A fault condition causes the red alarm light to flash and an alarm text is displayed.   |

Table 5.4 Legend to *Illustration 5.1*, Indicator Lights (LEDs)



## D. Operation Keys and Reset

Operation keys are located at the bottom of the LCP.

|    | Key     | Function  |
|----|---------|---|
| 18 | Hand On | Starts the frequency converter in local control. <ul style="list-style-type: none"> <li>An external stop signal by control input or serial communication overrides the local hand on</li> </ul> |
| 19 | Off     | Stops the motor but does not remove power to the frequency converter.   |
| 20 | Auto On | Puts the system in remote operational mode. <ul style="list-style-type: none"> <li>Responds to an external start command by control terminals or serial communication</li> </ul>                |
| 21 | Reset   | Resets the frequency converter manually after a fault has been cleared.   |

Table 5.5 Legend to *Illustration 5.1*, Operation Keys and Reset

## NOTICE

The display contrast can be adjusted by pressing [Status] and [▲]/[▼] keys.

### 5.3.3 Parameter Settings

Establishing the correct programming for applications often requires setting functions in several related parameters. Details for parameters are provided in *9.2 Parameter Menu Structure*.

Programming data are stored internally in the frequency converter.

- For backup, upload data into the LCP memory
- To download data to another frequency converter, connect the LCP to that unit and download the stored settings
- Restoring factory default settings does not change data stored in the LCP memory

### 5.3.4 Uploading/Downloading Data to/from the LCP

- Press [Off] to stop the motor before uploading or downloading data.
- Go to [Main Menu] *0-50 LCP Copy* and Press [OK].
- Select *All to LCP* to upload data to LCP or select *All from LCP* to download data from the LCP.
- Press [OK]. A progress bar shows the uploading or downloading process.
- Press [Hand On] or [Auto On] to return to normal operation.

### 5.3.5 Changing Parameter Settings

#### View Changes

*Quick Menu Q5 - Changes Made* lists all parameters changed from default settings.

- The list shows only parameters which have been changed in the current edit-setup.
- Parameters which have been reset to default values are not listed.
- The message 'Empty' indicates that no parameters have been changed.

#### Changing Settings

Parameter settings can be accessed and changed from the [Quick Menu] or from the [Main Menu]. The [Quick Menu] only gives access to a limited number of parameters.

- Press [Quick Menu] or [Main Menu] on the LCP.
- Press [▲] [▼] to browse through the parameter groups, press [OK] to select a parameter group.
- Press [▲] [▼] to browse through the parameters, press [OK] to select a parameter.
- Press [▲] [▼] to change the value of a parameter setting.
- Press [◀] [▶] to shift digit when a decimal parameter is in the editing state.
- Press [OK] to accept the change.
- Press either [Back] twice to enter "Status", or press [Main Menu] once to enter "Main Menu".

### 5.3.6 Restoring Default Settings

## NOTICE

**Initialisation restores the unit to factory default settings. Any programming, motor data, localisation, and monitoring records will be lost. Uploading data to the LCP provides a backup before initialisation.**

Restoring the frequency converter parameter settings back to default values is done by initialisation of the frequency converter. Initialisation can be carried out through *14-22 Operation Mode* (recommended) or manually.

- Initialisation using *14-22 Operation Mode* does not reset frequency converter settings such as operating hours, serial communication selections, personal menu settings, fault log, alarm log, and other monitoring functions.
- Manual initialisation erases all motor, programming, localization, and monitoring data and restores factory default settings.

**Recommended Initialisation Procedure, via 14-22 Operation Mode**

1. Press [Main Menu] twice to access parameters.
2. Scroll to *14-22 Operation Mode* and press [OK].
3. Scroll to *Initialisation* and press [OK].
4. Remove power to the unit and wait for the display to turn off.
5. Apply power to the unit.

Default parameter settings are restored during start-up. This may take slightly longer than normal.

6. Alarm 80 is displayed.
7. Press [Reset] to return to operation mode.

**Manual Initialisation Procedure**

1. Remove power to the unit and wait for the display to turn off.
2. Press and hold [Status], [Main Menu], and [OK] at the same time while applying power to the unit (approximately 5 s or until audible click and fan starts).

Factory default parameter settings are restored during start-up. This may take slightly longer than normal.

Manual initialisation does not reset the following frequency converter information

- 15-00 Operating hours
- 15-03 Power Up's
- 15-04 Over Temp's
- 15-05 Over Volt's

**5.4 Basic Programming**

**5.4.1 Commissioning with SmartStart**

The SmartStart wizard enables fast configuration of basic motor and application parameters.

- At first power up or after initialisation of the frequency converter, SmartStart starts by itself.
- Follow on-screen instructions to complete commissioning of the frequency converter. SmartStart can always be re-activated by selecting *Quick Menu Q4 - SmartStart*.
- For commissioning without use of the SmartStart wizard, refer to *5.4.2 Commissioning via [Main Menu]* or the *Programming Guide*.

**NOTICE**

Motor data are required for the SmartStart setup. The required data are normally available on the motor nameplate.

**5.4.2 Commissioning via [Main Menu]**

Recommended parameter settings are intended for start-up and checkout purposes. Application settings may vary.

Enter data with power ON, but before operating the frequency converter.

1. Press [Main Menu] on the LCP.
2. Use the navigation keys to scroll to parameter group *0-\*\* Operation/Display* and press [OK].

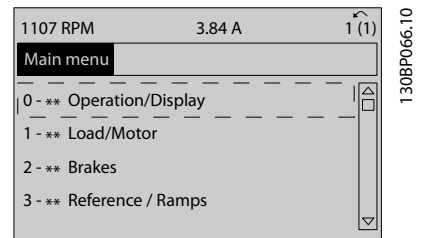


Illustration 5.2 Main Menu

3. Use navigation keys to scroll to parameter group *0-0\* Basic Settings* and press [OK].

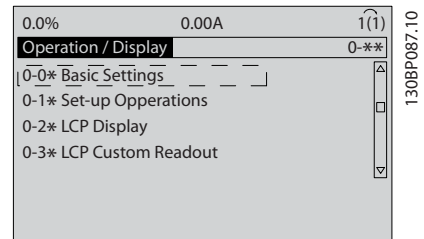


Illustration 5.3 Operation/Display

4. Use navigation keys to scroll to *0-03 Regional Settings* and press [OK].

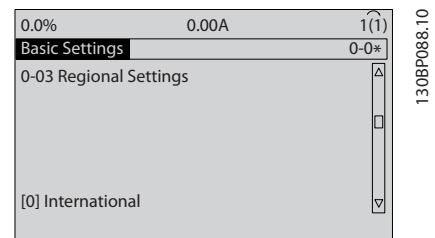


Illustration 5.4 Basic Settings

5. Use navigation keys to select *[0] International* or *[1] North America* as appropriate and press [OK]. (This changes the default settings for a number of basic parameters).
6. Press [Main Menu] on the LCP.

7. Use the navigation keys to scroll to *0-01 Language*.
8. Select language and press [OK].
9. If a jumper wire is in place between control terminals 12 and 27, leave *5-12 Terminal 27 Digital Input* at factory default. Otherwise, *No Operation* should be selected in *5-12 Terminal 27 Digital Input*. For frequency converters with an optional bypass, no jumper wire is required between control terminals 12 and 27.
10. *3-02 Minimum Reference*
11. *3-03 Maximum Reference*
12. *3-41 Ramp 1 Ramp Up Time*
13. *3-42 Ramp 1 Ramp Down Time*
14. *3-13 Reference Site*. Linked to Hand/Auto Local Remote.

### 5.4.3 Asynchronous Motor Setup

Enter the motor data in parameters 1-20 or 1-21 to 1-25. The information can be found on the motor nameplate.

1. *1-20 Motor Power [kW] or 1-21 Motor Power [HP]*
2. *1-22 Motor Voltage*
3. *1-23 Motor Frequency*
4. *1-24 Motor Current*
5. *1-25 Motor Nominal Speed*

### 5.4.4 Permanent Magnet Motor Setup

#### NOTICE

**Only use permanent magnet (PM) motor with fans and pumps.**

#### Initial Programming Steps

1. Activate PM motor operation *1-10 Motor Construction*, select (1) *PM, non salient SPM*
2. Set *0-02 Motor Speed Unit* to [0] *RPM*

#### Programming motor data

After selecting PM motor in *1-10 Motor Construction*, the PM motor-related parameters in parameter groups *1-2\* Motor Data*, *1-3\* Adv. Motor Data* and *1-4\** are active. The necessary data can be found on the motor nameplate and in the motor data sheet. Program the following parameters in the listed order

1. *1-24 Motor Current*
2. *1-26 Motor Cont. Rated Torque*
3. *1-25 Motor Nominal Speed*
4. *1-39 Motor Poles*

5. *1-30 Stator Resistance (Rs)*  
Enter line to common stator winding resistance (Rs). If only line-line data are available, divide the line-line value with 2 to achieve the line to common (starpoint) value.  
It is also possible to measure the value with an ohmmeter, which will also take the resistance of the cable into account. Divide the measured value by 2 and enter the result.
6. *1-37 d-axis Inductance (Ld)*  
Enter line to common direct axis inductance of the PM motor.  
If only line-line data are available, divide the line-line value with 2 to achieve the line-common (starpoint) value.  
It is also possible to measure the value with an inductancemeter, which will also take the inductance of the cable into account. Divide the measured value by 2 and enter the result.
7. *1-40 Back EMF at 1000 RPM*  
Enter line to line back EMF of PM Motor at 1000 RPM mechanical speed (RMS value). Back EMF is the voltage generated by a PM motor when no drive is connected and the shaft is turned externally. Back EMF is normally specified for nominal motor speed or for 1000 RPM measured between two lines. If the value is not available for a motor speed of 1000 RPM, calculate the correct value as follows: If back EMF is e.g. 320 V at 1800 RPM, it can be calculated at 1000 RPM as follows:  
Back EMF = (Voltage / RPM)\*1000 =  
(320/1800)\*1000 = 178. This is the value that must be programmed for *1-40 Back EMF at 1000 RPM*.

#### Test Motor Operation

1. Start the motor at low speed (100 to 200 RPM). If the motor does not turn, check installation, general programming and motor data.
2. Check if start function in *1-70 PM Start Mode* fits the application requirements.

#### Rotor detection

This function is the recommended choice for applications where the motor starts from standstill, e.g. pumps or conveyors. On some motors, an acoustic sound is heard when the impulse is sent out. This does not harm the motor.

#### Parking

This function is the recommended choice for applications where the motor is rotating at slow speed e.g. windmilling in fan applications. *2-06 Parking Current* and *2-07 Parking Time* can be adjusted. Increase the factory setting of these parameters for applications with high inertia.

Start the motor at nominal speed. If the application does not run well, check the VVC<sup>plus</sup> PM settings. Recommendations in different applications can be seen in *Table 5.6*.

| Application   | Settings  |
|---|---|
| Low inertia applications<br>$I_{Load}/I_{Motor} < 5$      | <p>1-17 <i>Voltage filter time const.</i> to be increased by factor 5 to 10</p> <p>1-14 <i>Damping Gain</i> should be reduced</p> <p>1-66 <i>Min. Current at Low Speed</i> should be reduced (&lt;100%)</p> |
| Low inertia applications<br>$50 > I_{Load}/I_{Motor} > 5$ | Keep calculated values  |
| High inertia applications<br>$I_{Load}/I_{Motor} > 50$    | <p>1-14 <i>Damping Gain</i>, 1-15 <i>Low Speed Filter Time Const.</i> and 1-16 <i>High Speed Filter Time Const.</i> should be increased</p>   |
| High load at low speed<br><30% (rated speed)              | <p>1-17 <i>Voltage filter time const.</i> should be increased</p> <p>1-66 <i>Min. Current at Low Speed</i> should be increased (&gt;100% for a prolonged time can overheat the motor)</p>                   |

**Table 5.6 Recommendations in Different Applications**

If the motor starts oscillating at a certain speed, increase 1-14 *Damping Gain*. Increase the value in small steps. Depending on the motor, a good value for this parameter can be 10% or 100% higher than the default value.

Starting torque can be adjusted in 1-66 *Min. Current at Low Speed*. 100% provides nominal torque as starting torque.

### 5.4.5 Automatic Energy Optimization (AEO)

#### NOTICE

**AEO is not relevant for permanent magnet motors.**

Automatic Energy Optimization (AEO) is recommended for

- Automatic compensation for oversized motors
- Automatic compensation for slow system load change
- Automatic compensation for seasonal changes
- Automatic compensation for low motor loading
- Reduced energy consumption
- Reduced motor heating
- Reduced motor noise

To activate AEO, set parameter 1-03 *Torque Characteristics* to [2] *Auto Energy Optim. CT* or [3] *Auto Energy Optim. VT*.

### 5.4.6 Automatic Motor Adaptation (AMA)

#### NOTICE

**AMA is not relevant for permanent magnet motors.**

Automatic motor adaptation (AMA) is a procedure that optimizes compatibility between the frequency converter and the motor.

- The frequency converter builds a mathematical model of the motor for regulating output motor current. The procedure also tests the input phase balance of electrical power. It compares the motor characteristics with the data entered in parameters 1-20 to 1-25
- The motor shaft does not turn and no harm is done to the motor while running the AMA
- Some motors may be unable to run the complete version of the test. In that case, select [2] *Enable reduced AMA*
- If an output filter is connected to the motor, select *Enable reduced AMA*
- If warnings or alarms occur, see 7.3 *List of Warnings and Alarms*
- Run this procedure on a cold motor for best results

#### To run AMA

1. Press [Main Menu] to access parameters.
2. Scroll to parameter group 1-\*\* *Load and Motor* and press [OK].
3. Scroll to parameter group 1-2\* *Motor Data* and press [OK].
4. Scroll to 1-29 *Automatic Motor Adaptation (AMA)* and press [OK].
5. Select [1] *Enable complete AMA* and press [OK].
6. Follow on-screen instructions.
7. The test will run automatically and indicate when it is complete.

## 5.5 Checking Motor Rotation

### **▲WARNING**

#### **MOTOR START!**

Ensure that the motor, system, and any attached equipment are ready for start. It is the responsibility of the user to ensure safe operation under any condition. Failure to ensure that the motor, system, and any attached equipment is ready for start could result in personal injury or equipment damage.

#### **NOTICE**

Risk of damage to pumps/compressors caused by motor running in wrong direction. Before running the frequency converter, check the motor rotation.

The motor will run briefly at 5 Hz or the minimum frequency set in *4-12 Motor Speed Low Limit [Hz]*.

1. Press [Main Menu].
2. Scroll to *1-28 Motor Rotation Check* and press [OK].
3. Scroll to *[1] Enable*.

The following text will appear: *Note! Motor may run in wrong direction.*

4. Press [OK].
5. Follow the on-screen instructions.

#### **NOTICE**

To change the direction of rotation, remove power to the frequency converter and wait for power to discharge. Reverse the connection of any 2 of the 3 motor wires on the motor or frequency converter side of the connection.

## 5.6 Local-control Test

### **▲WARNING**

#### **MOTOR START!**

Ensure that the motor, system, and any attached equipment are ready for start. It is the responsibility of the user to ensure safe operation under any condition. Failure to ensure that the motor, system, and any attached equipment is ready for start could result in personal injury or equipment damage.

1. Press [Hand On] to provide a local start command to the frequency converter.
2. Accelerate the frequency converter by pressing [▲] to full speed. Moving the cursor left of the decimal point provides quicker input changes.
3. Note any acceleration problems.

4. Press [Off]. Note any deceleration problems.

In the event of acceleration or deceleration problems, see *7.4 Troubleshooting*. See *7.3 List of Warnings and Alarms* for resetting the frequency converter after a trip.

## 5.7 System Start-up

The procedure in this section requires user-wiring and application programming to be completed. The following procedure is recommended after application set-up is completed.

### **▲WARNING**

#### **MOTOR START!**

Ensure that the motor, system, and any attached equipment are ready for start. It is the responsibility of the user to ensure safe operation under any condition. Failure to ensure that the motor, system, and any attached equipment is ready for start could result in personal injury or equipment damage.

1. Press [Auto On].
2. Apply an external run command.
3. Adjust the speed reference throughout the speed range.
4. Remove the external run command.
5. Check sound and vibration level of the motor to ensure that the system is working as intended.

If warnings or alarms occur, see *7.3 List of Warnings and Alarms*.

## 5.8 Maintenance

Under normal operating conditions and load profiles, the frequency converter is maintenance-free throughout its designed lifetime. To prevent breakdown, danger, and damage, examine the frequency converter at regular intervals depending on the operating conditions. Replace worn or damaged parts with original spare parts or standard parts. For service and support, refer to [www.danfoss.com/contact/sales\\_and\\_services/](http://www.danfoss.com/contact/sales_and_services/).

### **▲CAUTION**

Risk of personal injury or equipment damage exists. Repair and service must be carried out by Danfoss authorized personnel only.

## 6 Application Set-up Examples

The examples in this section are intended as a quick reference for common applications.

- Parameter settings are the regional default values unless otherwise indicated (selected in *0-03 Regional Settings*)
- Parameters associated with the terminals and their settings are shown next to the drawings
- Where switch settings for analog terminals A53 or A54 are required, these are also shown

**6**

### NOTICE

When the optional Safe Torque Off feature is used, a jumper wire may be required between terminal 12 (or 13) and terminal 37 for the frequency converter to operate when using factory default programming values.

### 6.1 Application Examples

#### 6.1.1 Speed

|   |    | Parameters  |         |       |    |       |    |      |    |      |    |     |    |      |    |      |    |      |    |      |    |      |    |       |    |      |    |      |    |     |    |       |    |     |    |             |  |
|---|----|---|---------|-------|----|-------|----|------|----|------|----|-----|----|------|----|------|----|------|----|------|----|------|----|-------|----|------|----|------|----|-----|----|-------|----|-----|----|-------------|--|
|   |    | Function  | Setting |       |    |       |    |      |    |      |    |     |    |      |    |      |    |      |    |      |    |      |    |       |    |      |    |      |    |     |    |       |    |     |    |             |  |
| <table border="1"> <tr><td colspan="2">FC</td></tr> <tr><td>+24 V</td><td>12</td></tr> <tr><td>+24 V</td><td>13</td></tr> <tr><td>D IN</td><td>18</td></tr> <tr><td>D IN</td><td>19</td></tr> <tr><td>COM</td><td>20</td></tr> <tr><td>D IN</td><td>27</td></tr> <tr><td>D IN</td><td>29</td></tr> <tr><td>D IN</td><td>32</td></tr> <tr><td>D IN</td><td>33</td></tr> <tr><td>D IN</td><td>37</td></tr> <tr><td>+10 V</td><td>50</td></tr> <tr><td>A IN</td><td>53</td></tr> <tr><td>A IN</td><td>54</td></tr> <tr><td>COM</td><td>55</td></tr> <tr><td>A OUT</td><td>42</td></tr> <tr><td>COM</td><td>39</td></tr> </table> |    | FC  |         | +24 V | 12 | +24 V | 13 | D IN | 18 | D IN | 19 | COM | 20 | D IN | 27 | D IN | 29 | D IN | 32 | D IN | 33 | D IN | 37 | +10 V | 50 | A IN | 53 | A IN | 54 | COM | 55 | A OUT | 42 | COM | 39 | 130BB926.10 |  |
| FC  |    |   |         |       |    |       |    |      |    |      |    |     |    |      |    |      |    |      |    |      |    |      |    |       |    |      |    |      |    |     |    |       |    |     |    |             |  |
| +24 V   | 12 |   |         |       |    |       |    |      |    |      |    |     |    |      |    |      |    |      |    |      |    |      |    |       |    |      |    |      |    |     |    |       |    |     |    |             |  |
| +24 V   | 13 |   |         |       |    |       |    |      |    |      |    |     |    |      |    |      |    |      |    |      |    |      |    |       |    |      |    |      |    |     |    |       |    |     |    |             |  |
| D IN  | 18 |   |         |       |    |       |    |      |    |      |    |     |    |      |    |      |    |      |    |      |    |      |    |       |    |      |    |      |    |     |    |       |    |     |    |             |  |
| D IN  | 19 |   |         |       |    |       |    |      |    |      |    |     |    |      |    |      |    |      |    |      |    |      |    |       |    |      |    |      |    |     |    |       |    |     |    |             |  |
| COM   | 20 |   |         |       |    |       |    |      |    |      |    |     |    |      |    |      |    |      |    |      |    |      |    |       |    |      |    |      |    |     |    |       |    |     |    |             |  |
| D IN  | 27 |   |         |       |    |       |    |      |    |      |    |     |    |      |    |      |    |      |    |      |    |      |    |       |    |      |    |      |    |     |    |       |    |     |    |             |  |
| D IN  | 29 |   |         |       |    |       |    |      |    |      |    |     |    |      |    |      |    |      |    |      |    |      |    |       |    |      |    |      |    |     |    |       |    |     |    |             |  |
| D IN  | 32 |   |         |       |    |       |    |      |    |      |    |     |    |      |    |      |    |      |    |      |    |      |    |       |    |      |    |      |    |     |    |       |    |     |    |             |  |
| D IN  | 33 |   |         |       |    |       |    |      |    |      |    |     |    |      |    |      |    |      |    |      |    |      |    |       |    |      |    |      |    |     |    |       |    |     |    |             |  |
| D IN  | 37 |   |         |       |    |       |    |      |    |      |    |     |    |      |    |      |    |      |    |      |    |      |    |       |    |      |    |      |    |     |    |       |    |     |    |             |  |
| +10 V   | 50 |   |         |       |    |       |    |      |    |      |    |     |    |      |    |      |    |      |    |      |    |      |    |       |    |      |    |      |    |     |    |       |    |     |    |             |  |
| A IN  | 53 |   |         |       |    |       |    |      |    |      |    |     |    |      |    |      |    |      |    |      |    |      |    |       |    |      |    |      |    |     |    |       |    |     |    |             |  |
| A IN  | 54 |   |         |       |    |       |    |      |    |      |    |     |    |      |    |      |    |      |    |      |    |      |    |       |    |      |    |      |    |     |    |       |    |     |    |             |  |
| COM   | 55 |   |         |       |    |       |    |      |    |      |    |     |    |      |    |      |    |      |    |      |    |      |    |       |    |      |    |      |    |     |    |       |    |     |    |             |  |
| A OUT   | 42 |   |         |       |    |       |    |      |    |      |    |     |    |      |    |      |    |      |    |      |    |      |    |       |    |      |    |      |    |     |    |       |    |     |    |             |  |
| COM   | 39 |   |         |       |    |       |    |      |    |      |    |     |    |      |    |      |    |      |    |      |    |      |    |       |    |      |    |      |    |     |    |       |    |     |    |             |  |
|   |    |   |         |       |    |       |    |      |    |      |    |     |    |      |    |      |    |      |    |      |    |      |    |       |    |      |    |      |    |     |    |       |    |     |    |             |  |
|   |    | 6-10 Terminal 53<br><i>Low Voltage</i>            | 0.07 V* |       |    |       |    |      |    |      |    |     |    |      |    |      |    |      |    |      |    |      |    |       |    |      |    |      |    |     |    |       |    |     |    |             |  |
|   |    | 6-11 Terminal 53<br><i>High Voltage</i>           | 10 V*   |       |    |       |    |      |    |      |    |     |    |      |    |      |    |      |    |      |    |      |    |       |    |      |    |      |    |     |    |       |    |     |    |             |  |
|   |    | 6-14 Terminal 53<br><i>Low Ref./Feedb. Value</i>  | 0 Hz    |       |    |       |    |      |    |      |    |     |    |      |    |      |    |      |    |      |    |      |    |       |    |      |    |      |    |     |    |       |    |     |    |             |  |
|   |    | 6-15 Terminal 53<br><i>High Ref./Feedb. Value</i> | 50 Hz   |       |    |       |    |      |    |      |    |     |    |      |    |      |    |      |    |      |    |      |    |       |    |      |    |      |    |     |    |       |    |     |    |             |  |
|   |    | * = Default Value                                 |         |       |    |       |    |      |    |      |    |     |    |      |    |      |    |      |    |      |    |      |    |       |    |      |    |      |    |     |    |       |    |     |    |             |  |
|   |    | <b>Notes/comments:</b><br>D IN 37 is an option.   |         |       |    |       |    |      |    |      |    |     |    |      |    |      |    |      |    |      |    |      |    |       |    |      |    |      |    |     |    |       |    |     |    |             |  |

Table 6.1 Analog Speed Reference (Voltage)

|   |    | Parameters  |         |       |    |       |    |      |    |      |    |     |    |      |    |      |    |      |    |      |    |      |    |       |    |      |    |      |    |     |    |       |    |     |    |             |  |
|---|----|---|---------|-------|----|-------|----|------|----|------|----|-----|----|------|----|------|----|------|----|------|----|------|----|-------|----|------|----|------|----|-----|----|-------|----|-----|----|-------------|--|
|   |    | Function  | Setting |       |    |       |    |      |    |      |    |     |    |      |    |      |    |      |    |      |    |      |    |       |    |      |    |      |    |     |    |       |    |     |    |             |  |
| <table border="1"> <tr><td colspan="2">FC</td></tr> <tr><td>+24 V</td><td>12</td></tr> <tr><td>+24 V</td><td>13</td></tr> <tr><td>D IN</td><td>18</td></tr> <tr><td>D IN</td><td>19</td></tr> <tr><td>COM</td><td>20</td></tr> <tr><td>D IN</td><td>27</td></tr> <tr><td>D IN</td><td>29</td></tr> <tr><td>D IN</td><td>32</td></tr> <tr><td>D IN</td><td>33</td></tr> <tr><td>D IN</td><td>37</td></tr> <tr><td>+10 V</td><td>50</td></tr> <tr><td>A IN</td><td>53</td></tr> <tr><td>A IN</td><td>54</td></tr> <tr><td>COM</td><td>55</td></tr> <tr><td>A OUT</td><td>42</td></tr> <tr><td>COM</td><td>39</td></tr> </table> |    | FC  |         | +24 V | 12 | +24 V | 13 | D IN | 18 | D IN | 19 | COM | 20 | D IN | 27 | D IN | 29 | D IN | 32 | D IN | 33 | D IN | 37 | +10 V | 50 | A IN | 53 | A IN | 54 | COM | 55 | A OUT | 42 | COM | 39 | 130BB927.10 |  |
| FC  |    |   |         |       |    |       |    |      |    |      |    |     |    |      |    |      |    |      |    |      |    |      |    |       |    |      |    |      |    |     |    |       |    |     |    |             |  |
| +24 V   | 12 |   |         |       |    |       |    |      |    |      |    |     |    |      |    |      |    |      |    |      |    |      |    |       |    |      |    |      |    |     |    |       |    |     |    |             |  |
| +24 V   | 13 |   |         |       |    |       |    |      |    |      |    |     |    |      |    |      |    |      |    |      |    |      |    |       |    |      |    |      |    |     |    |       |    |     |    |             |  |
| D IN  | 18 |   |         |       |    |       |    |      |    |      |    |     |    |      |    |      |    |      |    |      |    |      |    |       |    |      |    |      |    |     |    |       |    |     |    |             |  |
| D IN  | 19 |   |         |       |    |       |    |      |    |      |    |     |    |      |    |      |    |      |    |      |    |      |    |       |    |      |    |      |    |     |    |       |    |     |    |             |  |
| COM   | 20 |   |         |       |    |       |    |      |    |      |    |     |    |      |    |      |    |      |    |      |    |      |    |       |    |      |    |      |    |     |    |       |    |     |    |             |  |
| D IN  | 27 |   |         |       |    |       |    |      |    |      |    |     |    |      |    |      |    |      |    |      |    |      |    |       |    |      |    |      |    |     |    |       |    |     |    |             |  |
| D IN  | 29 |   |         |       |    |       |    |      |    |      |    |     |    |      |    |      |    |      |    |      |    |      |    |       |    |      |    |      |    |     |    |       |    |     |    |             |  |
| D IN  | 32 |   |         |       |    |       |    |      |    |      |    |     |    |      |    |      |    |      |    |      |    |      |    |       |    |      |    |      |    |     |    |       |    |     |    |             |  |
| D IN  | 33 |   |         |       |    |       |    |      |    |      |    |     |    |      |    |      |    |      |    |      |    |      |    |       |    |      |    |      |    |     |    |       |    |     |    |             |  |
| D IN  | 37 |   |         |       |    |       |    |      |    |      |    |     |    |      |    |      |    |      |    |      |    |      |    |       |    |      |    |      |    |     |    |       |    |     |    |             |  |
| +10 V   | 50 |   |         |       |    |       |    |      |    |      |    |     |    |      |    |      |    |      |    |      |    |      |    |       |    |      |    |      |    |     |    |       |    |     |    |             |  |
| A IN  | 53 |   |         |       |    |       |    |      |    |      |    |     |    |      |    |      |    |      |    |      |    |      |    |       |    |      |    |      |    |     |    |       |    |     |    |             |  |
| A IN  | 54 |   |         |       |    |       |    |      |    |      |    |     |    |      |    |      |    |      |    |      |    |      |    |       |    |      |    |      |    |     |    |       |    |     |    |             |  |
| COM   | 55 |   |         |       |    |       |    |      |    |      |    |     |    |      |    |      |    |      |    |      |    |      |    |       |    |      |    |      |    |     |    |       |    |     |    |             |  |
| A OUT   | 42 |   |         |       |    |       |    |      |    |      |    |     |    |      |    |      |    |      |    |      |    |      |    |       |    |      |    |      |    |     |    |       |    |     |    |             |  |
| COM   | 39 |   |         |       |    |       |    |      |    |      |    |     |    |      |    |      |    |      |    |      |    |      |    |       |    |      |    |      |    |     |    |       |    |     |    |             |  |
|   |    |   |         |       |    |       |    |      |    |      |    |     |    |      |    |      |    |      |    |      |    |      |    |       |    |      |    |      |    |     |    |       |    |     |    |             |  |
|   |    | 6-12 Terminal 53<br><i>Low Current</i>            | 4 mA*   |       |    |       |    |      |    |      |    |     |    |      |    |      |    |      |    |      |    |      |    |       |    |      |    |      |    |     |    |       |    |     |    |             |  |
|   |    | 6-13 Terminal 53<br><i>High Current</i>           | 20 mA*  |       |    |       |    |      |    |      |    |     |    |      |    |      |    |      |    |      |    |      |    |       |    |      |    |      |    |     |    |       |    |     |    |             |  |
|   |    | 6-14 Terminal 53<br><i>Low Ref./Feedb. Value</i>  | 0 Hz    |       |    |       |    |      |    |      |    |     |    |      |    |      |    |      |    |      |    |      |    |       |    |      |    |      |    |     |    |       |    |     |    |             |  |
|   |    | 6-15 Terminal 53<br><i>High Ref./Feedb. Value</i> | 50 Hz   |       |    |       |    |      |    |      |    |     |    |      |    |      |    |      |    |      |    |      |    |       |    |      |    |      |    |     |    |       |    |     |    |             |  |
|   |    | * = Default Value                                 |         |       |    |       |    |      |    |      |    |     |    |      |    |      |    |      |    |      |    |      |    |       |    |      |    |      |    |     |    |       |    |     |    |             |  |
|   |    | <b>Notes/comments:</b><br>D IN 37 is an option.   |         |       |    |       |    |      |    |      |    |     |    |      |    |      |    |      |    |      |    |      |    |       |    |      |    |      |    |     |    |       |    |     |    |             |  |

Table 6.2 Analog Speed Reference (Current)

|   |    | Parameters  |         |       |    |       |    |      |    |      |    |     |    |      |    |      |    |      |    |      |    |      |    |       |    |      |    |      |    |     |    |       |    |     |    |             |  |
|---|----|---|---------|-------|----|-------|----|------|----|------|----|-----|----|------|----|------|----|------|----|------|----|------|----|-------|----|------|----|------|----|-----|----|-------|----|-----|----|-------------|--|
|   |    | Function  | Setting |       |    |       |    |      |    |      |    |     |    |      |    |      |    |      |    |      |    |      |    |       |    |      |    |      |    |     |    |       |    |     |    |             |  |
| <table border="1"> <tr><td colspan="2">FC</td></tr> <tr><td>+24 V</td><td>12</td></tr> <tr><td>+24 V</td><td>13</td></tr> <tr><td>D IN</td><td>18</td></tr> <tr><td>D IN</td><td>19</td></tr> <tr><td>COM</td><td>20</td></tr> <tr><td>D IN</td><td>27</td></tr> <tr><td>D IN</td><td>29</td></tr> <tr><td>D IN</td><td>32</td></tr> <tr><td>D IN</td><td>33</td></tr> <tr><td>D IN</td><td>37</td></tr> <tr><td>+10 V</td><td>50</td></tr> <tr><td>A IN</td><td>53</td></tr> <tr><td>A IN</td><td>54</td></tr> <tr><td>COM</td><td>55</td></tr> <tr><td>A OUT</td><td>42</td></tr> <tr><td>COM</td><td>39</td></tr> </table> |    | FC  |         | +24 V | 12 | +24 V | 13 | D IN | 18 | D IN | 19 | COM | 20 | D IN | 27 | D IN | 29 | D IN | 32 | D IN | 33 | D IN | 37 | +10 V | 50 | A IN | 53 | A IN | 54 | COM | 55 | A OUT | 42 | COM | 39 | 130BB683.10 |  |
| FC  |    |   |         |       |    |       |    |      |    |      |    |     |    |      |    |      |    |      |    |      |    |      |    |       |    |      |    |      |    |     |    |       |    |     |    |             |  |
| +24 V   | 12 |   |         |       |    |       |    |      |    |      |    |     |    |      |    |      |    |      |    |      |    |      |    |       |    |      |    |      |    |     |    |       |    |     |    |             |  |
| +24 V   | 13 |   |         |       |    |       |    |      |    |      |    |     |    |      |    |      |    |      |    |      |    |      |    |       |    |      |    |      |    |     |    |       |    |     |    |             |  |
| D IN  | 18 |   |         |       |    |       |    |      |    |      |    |     |    |      |    |      |    |      |    |      |    |      |    |       |    |      |    |      |    |     |    |       |    |     |    |             |  |
| D IN  | 19 |   |         |       |    |       |    |      |    |      |    |     |    |      |    |      |    |      |    |      |    |      |    |       |    |      |    |      |    |     |    |       |    |     |    |             |  |
| COM   | 20 |   |         |       |    |       |    |      |    |      |    |     |    |      |    |      |    |      |    |      |    |      |    |       |    |      |    |      |    |     |    |       |    |     |    |             |  |
| D IN  | 27 |   |         |       |    |       |    |      |    |      |    |     |    |      |    |      |    |      |    |      |    |      |    |       |    |      |    |      |    |     |    |       |    |     |    |             |  |
| D IN  | 29 |   |         |       |    |       |    |      |    |      |    |     |    |      |    |      |    |      |    |      |    |      |    |       |    |      |    |      |    |     |    |       |    |     |    |             |  |
| D IN  | 32 |   |         |       |    |       |    |      |    |      |    |     |    |      |    |      |    |      |    |      |    |      |    |       |    |      |    |      |    |     |    |       |    |     |    |             |  |
| D IN  | 33 |   |         |       |    |       |    |      |    |      |    |     |    |      |    |      |    |      |    |      |    |      |    |       |    |      |    |      |    |     |    |       |    |     |    |             |  |
| D IN  | 37 |   |         |       |    |       |    |      |    |      |    |     |    |      |    |      |    |      |    |      |    |      |    |       |    |      |    |      |    |     |    |       |    |     |    |             |  |
| +10 V   | 50 |   |         |       |    |       |    |      |    |      |    |     |    |      |    |      |    |      |    |      |    |      |    |       |    |      |    |      |    |     |    |       |    |     |    |             |  |
| A IN  | 53 |   |         |       |    |       |    |      |    |      |    |     |    |      |    |      |    |      |    |      |    |      |    |       |    |      |    |      |    |     |    |       |    |     |    |             |  |
| A IN  | 54 |   |         |       |    |       |    |      |    |      |    |     |    |      |    |      |    |      |    |      |    |      |    |       |    |      |    |      |    |     |    |       |    |     |    |             |  |
| COM   | 55 |   |         |       |    |       |    |      |    |      |    |     |    |      |    |      |    |      |    |      |    |      |    |       |    |      |    |      |    |     |    |       |    |     |    |             |  |
| A OUT   | 42 |   |         |       |    |       |    |      |    |      |    |     |    |      |    |      |    |      |    |      |    |      |    |       |    |      |    |      |    |     |    |       |    |     |    |             |  |
| COM   | 39 |   |         |       |    |       |    |      |    |      |    |     |    |      |    |      |    |      |    |      |    |      |    |       |    |      |    |      |    |     |    |       |    |     |    |             |  |
|   |    |   |         |       |    |       |    |      |    |      |    |     |    |      |    |      |    |      |    |      |    |      |    |       |    |      |    |      |    |     |    |       |    |     |    |             |  |
|   |    | 6-10 Terminal 53<br><i>Low Voltage</i>            | 0.07 V* |       |    |       |    |      |    |      |    |     |    |      |    |      |    |      |    |      |    |      |    |       |    |      |    |      |    |     |    |       |    |     |    |             |  |
|   |    | 6-11 Terminal 53<br><i>High Voltage</i>           | 10 V*   |       |    |       |    |      |    |      |    |     |    |      |    |      |    |      |    |      |    |      |    |       |    |      |    |      |    |     |    |       |    |     |    |             |  |
|   |    | 6-14 Terminal 53<br><i>Low Ref./Feedb. Value</i>  | 0 Hz    |       |    |       |    |      |    |      |    |     |    |      |    |      |    |      |    |      |    |      |    |       |    |      |    |      |    |     |    |       |    |     |    |             |  |
|   |    | 6-15 Terminal 53<br><i>High Ref./Feedb. Value</i> | 1500 Hz |       |    |       |    |      |    |      |    |     |    |      |    |      |    |      |    |      |    |      |    |       |    |      |    |      |    |     |    |       |    |     |    |             |  |
|   |    | * = Default Value                                 |         |       |    |       |    |      |    |      |    |     |    |      |    |      |    |      |    |      |    |      |    |       |    |      |    |      |    |     |    |       |    |     |    |             |  |
|   |    | <b>Notes/comments:</b><br>D IN 37 is an option.   |         |       |    |       |    |      |    |      |    |     |    |      |    |      |    |      |    |      |    |      |    |       |    |      |    |      |    |     |    |       |    |     |    |             |  |

Table 6.3 Speed Reference (Using a Manual Potentiometer)

|       |    | Parameters                                      |                       |
|-------|----|---|-----------------------|
| FC    |    | Function  | Setting               |
| +24 V | 12 | 5-10 Terminal 18                                | [8] Start*            |
| +24 V | 13 | Digital Input                                   |                       |
| D IN  | 18 | 5-12 Terminal 27                                | [19] Freeze Reference |
| D IN  | 19 | Digital Input                                   |                       |
| COM   | 20 | 5-13 Terminal 29                                | [21] Speed Up         |
| D IN  | 27 | Digital Input                                   |                       |
| D IN  | 29 | 5-14 Terminal 32                                | [22] Speed Down       |
| D IN  | 32 | Digital Input                                   |                       |
| D IN  | 33 | * = Default Value                               |                       |
| D IN  | 37 | <b>Notes/comments:</b><br>D IN 37 is an option. |                       |
| +10 V | 50 |   |                       |
| A IN  | 53 |   |                       |
| A IN  | 54 |   |                       |
| COM   | 55 |   |                       |
| A OUT | 42 |   |                       |
| COM   | 39 |   |                       |

Table 6.4 Speed Up/Down

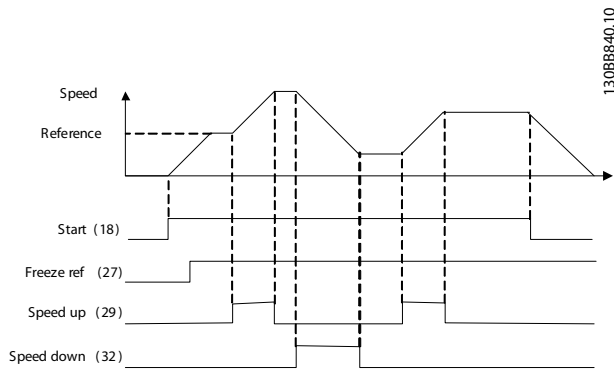


Illustration 6.1 Speed Up/Down

### 6.1.2 Start/Stop

|       |    | Parameters   |                     |
|-------|----|--|---------------------|
| FC    |    | Function   | Setting             |
| +24 V | 12 | 5-10 Terminal 18   | [8] Start*          |
| +24 V | 13 | Digital Input  |                     |
| D IN  | 18 | 5-12 Terminal 27   | [0] No operation    |
| D IN  | 19 | Digital Input  |                     |
| COM   | 20 | 5-19 Terminal 37   | [1] Safe Stop Alarm |
| D IN  | 27 | * = Default Value  |                     |
| D IN  | 29 | <b>Notes/comments:</b><br>If 5-12 Terminal 27 Digital Input is set to [0] No operation, a jumper wire to terminal 27 is not needed.<br>D IN 37 is an option. |                     |
| D IN  | 32 |  |                     |
| D IN  | 33 |  |                     |
| D IN  | 37 |  |                     |
| +10 V | 50 |  |                     |
| A IN  | 53 |  |                     |
| A IN  | 54 |  |                     |
| COM   | 55 |  |                     |
| A OUT | 42 |  |                     |
| COM   | 39 |  |                     |

Table 6.5 Start/Stop Command with Safe Stop Option

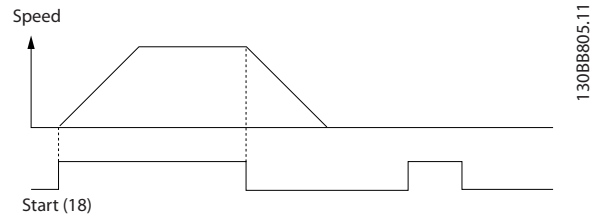


Illustration 6.2 Start/Stop Command with Safe Stop

| FC  |    | Parameters                        |                   |
|---|----|-----------------------------------|-------------------|
|   |    | Function                          | Setting           |
| +24 V   | 12 | 5-10 Terminal 18<br>Digital Input | [9] Latched Start |
| +24 V   | 13 |                                   |                   |
| D IN  | 18 | 5-12 Terminal 27<br>Digital Input | [6] Stop Inverse  |
| D IN  | 19 |                                   |                   |
| COM   | 20 | * = Default Value                 |                   |
| <b>Notes/comments:</b>  |    |                                   |                   |
| If 5-12 Terminal 27 Digital Input is set to [0] No operation, a jumper wire to terminal 27 is not needed. |    |                                   |                   |
| D IN 37 is an option.   |    |                                   |                   |

Table 6.6 Pulse Start/Stop

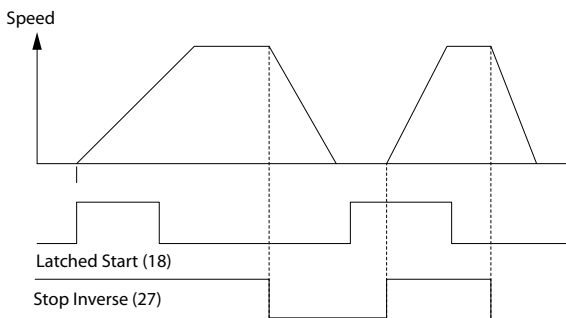


Illustration 6.3 Latched Start/Stop Inverse

| FC                           |    | Parameters                        |                       |
|------------------------------|----|-----------------------------------|-----------------------|
|                              |    | Function                          | Setting               |
| +24 V                        | 12 | 5-10 Terminal 18<br>Digital Input | [8] Start             |
| +24 V                        | 13 |                                   |                       |
| D IN                         | 18 | 5-11 Terminal 19<br>Digital Input | [10] Reversing*       |
| D IN                         | 19 |                                   |                       |
| COM                          | 20 | * = Default Value                 |                       |
| D IN                         | 27 | 5-12 Terminal 27<br>Digital Input | [0] No operation      |
| D IN                         | 29 |                                   |                       |
| D IN                         | 32 | 5-14 Terminal 32<br>Digital Input | [16] Preset ref bit 0 |
| D IN                         | 33 |                                   |                       |
| D IN                         | 37 | 5-15 Terminal 33<br>Digital Input | [17] Preset ref bit 1 |
| D IN                         | 37 |                                   |                       |
| <b>3-10 Preset Reference</b> |    |                                   |                       |
|                              |    | Preset ref. 0                     | 25%                   |
|                              |    | Preset ref. 1                     | 50%                   |
|                              |    | Preset ref. 2                     | 75%                   |
|                              |    | Preset ref. 3                     | 100%                  |
| * = Default Value            |    |                                   |                       |
| <b>Notes/comments:</b>       |    |                                   |                       |
| D IN 37 is an option.        |    |                                   |                       |

Table 6.7 Start/Stop with Reversing and 4 Preset Speeds

### 6.1.3 External Alarm Reset

| FC    |    | Parameters                        |           |
|-------|----|-----------------------------------|-----------|
|       |    | Function                          | Setting   |
| +24 V | 12 | 5-11 Terminal 19<br>Digital Input | [1] Reset |
| +24 V | 13 |                                   |           |
| D IN  | 18 | * = Default Value                 |           |
| D IN  | 19 | <b>Notes/comments:</b>            |           |
| COM   | 20 | D IN 37 is an option.             |           |
| D IN  | 27 |                                   |           |
| D IN  | 29 |                                   |           |
| D IN  | 32 |                                   |           |
| D IN  | 33 |                                   |           |
| D IN  | 37 |                                   |           |
| +10 V | 50 |                                   |           |
| A IN  | 53 |                                   |           |
| A IN  | 54 |                                   |           |
| COM   | 55 |                                   |           |
| A OUT | 42 |                                   |           |
| COM   | 39 |                                   |           |

Table 6.8 External Alarm Reset



6.1.4 RS-485

|   |            | Parameters |         |       |    |       |    |      |    |      |    |     |    |      |    |      |    |      |    |      |    |      |    |  |  |       |    |      |    |      |    |     |    |       |    |     |    |  |  |    |            |    |            |  |  |  |            |  |   |  |   |  |        |             |   |
|---|------------|------------|---------|-------|----|-------|----|------|----|------|----|-----|----|------|----|------|----|------|----|------|----|------|----|--|--|-------|----|------|----|------|----|-----|----|-------|----|-----|----|--|--|----|------------|----|------------|--|--|--|------------|--|---|--|---|--|--------|-------------|---|
|   |            | Function   | Setting |       |    |       |    |      |    |      |    |     |    |      |    |      |    |      |    |      |    |      |    |  |  |       |    |      |    |      |    |     |    |       |    |     |    |  |  |    |            |    |            |  |  |  |            |  |   |  |   |  |        |             |   |
| <table border="1"> <thead> <tr> <th colspan="2">FC</th> </tr> </thead> <tbody> <tr> <td>+24 V</td> <td>12</td> </tr> <tr> <td>+24 V</td> <td>13</td> </tr> <tr> <td>D IN</td> <td>18</td> </tr> <tr> <td>D IN</td> <td>19</td> </tr> <tr> <td>COM</td> <td>20</td> </tr> <tr> <td>D IN</td> <td>27</td> </tr> <tr> <td>D IN</td> <td>29</td> </tr> <tr> <td>D IN</td> <td>32</td> </tr> <tr> <td>D IN</td> <td>33</td> </tr> <tr> <td>D IN</td> <td>37</td> </tr> <tr> <td colspan="2"> </td> </tr> <tr> <td>+10 V</td> <td>50</td> </tr> <tr> <td>A IN</td> <td>53</td> </tr> <tr> <td>A IN</td> <td>54</td> </tr> <tr> <td>COM</td> <td>55</td> </tr> <tr> <td>A OUT</td> <td>42</td> </tr> <tr> <td>COM</td> <td>39</td> </tr> <tr> <td colspan="2"> </td> </tr> <tr> <td>R1</td> <td>01, 02, 03</td> </tr> <tr> <td>R2</td> <td>04, 05, 06</td> </tr> <tr> <td colspan="2"> </td> </tr> <tr> <td></td> <td>61, 68, 69</td> </tr> <tr> <td></td> <td>+</td> </tr> <tr> <td></td> <td>-</td> </tr> <tr> <td></td> <td>RS-485</td> </tr> </tbody> </table> |            | FC         |         | +24 V | 12 | +24 V | 13 | D IN | 18 | D IN | 19 | COM | 20 | D IN | 27 | D IN | 29 | D IN | 32 | D IN | 33 | D IN | 37 |  |  | +10 V | 50 | A IN | 53 | A IN | 54 | COM | 55 | A OUT | 42 | COM | 39 |  |  | R1 | 01, 02, 03 | R2 | 04, 05, 06 |  |  |  | 61, 68, 69 |  | + |  | - |  | RS-485 | 130BB685.10 | 8-30 Protocol FC*<br>8-31 Address 1*<br>8-32 Baud Rate 9600*<br>* = Default Value<br><b>Notes/comments:</b><br>Select protocol, address and baud rate in the above mentioned parameters.<br>D IN 37 is an option. |
|   |            | FC         |         |       |    |       |    |      |    |      |    |     |    |      |    |      |    |      |    |      |    |      |    |  |  |       |    |      |    |      |    |     |    |       |    |     |    |  |  |    |            |    |            |  |  |  |            |  |   |  |   |  |        |             |   |
|   |            | +24 V      | 12      |       |    |       |    |      |    |      |    |     |    |      |    |      |    |      |    |      |    |      |    |  |  |       |    |      |    |      |    |     |    |       |    |     |    |  |  |    |            |    |            |  |  |  |            |  |   |  |   |  |        |             |   |
|   |            | +24 V      | 13      |       |    |       |    |      |    |      |    |     |    |      |    |      |    |      |    |      |    |      |    |  |  |       |    |      |    |      |    |     |    |       |    |     |    |  |  |    |            |    |            |  |  |  |            |  |   |  |   |  |        |             |   |
| D IN  | 18         |            |         |       |    |       |    |      |    |      |    |     |    |      |    |      |    |      |    |      |    |      |    |  |  |       |    |      |    |      |    |     |    |       |    |     |    |  |  |    |            |    |            |  |  |  |            |  |   |  |   |  |        |             |   |
| D IN  | 19         |            |         |       |    |       |    |      |    |      |    |     |    |      |    |      |    |      |    |      |    |      |    |  |  |       |    |      |    |      |    |     |    |       |    |     |    |  |  |    |            |    |            |  |  |  |            |  |   |  |   |  |        |             |   |
| COM   | 20         |            |         |       |    |       |    |      |    |      |    |     |    |      |    |      |    |      |    |      |    |      |    |  |  |       |    |      |    |      |    |     |    |       |    |     |    |  |  |    |            |    |            |  |  |  |            |  |   |  |   |  |        |             |   |
| D IN  | 27         |            |         |       |    |       |    |      |    |      |    |     |    |      |    |      |    |      |    |      |    |      |    |  |  |       |    |      |    |      |    |     |    |       |    |     |    |  |  |    |            |    |            |  |  |  |            |  |   |  |   |  |        |             |   |
| D IN  | 29         |            |         |       |    |       |    |      |    |      |    |     |    |      |    |      |    |      |    |      |    |      |    |  |  |       |    |      |    |      |    |     |    |       |    |     |    |  |  |    |            |    |            |  |  |  |            |  |   |  |   |  |        |             |   |
| D IN  | 32         |            |         |       |    |       |    |      |    |      |    |     |    |      |    |      |    |      |    |      |    |      |    |  |  |       |    |      |    |      |    |     |    |       |    |     |    |  |  |    |            |    |            |  |  |  |            |  |   |  |   |  |        |             |   |
| D IN  | 33         |            |         |       |    |       |    |      |    |      |    |     |    |      |    |      |    |      |    |      |    |      |    |  |  |       |    |      |    |      |    |     |    |       |    |     |    |  |  |    |            |    |            |  |  |  |            |  |   |  |   |  |        |             |   |
| D IN  | 37         |            |         |       |    |       |    |      |    |      |    |     |    |      |    |      |    |      |    |      |    |      |    |  |  |       |    |      |    |      |    |     |    |       |    |     |    |  |  |    |            |    |            |  |  |  |            |  |   |  |   |  |        |             |   |
|   |            |            |         |       |    |       |    |      |    |      |    |     |    |      |    |      |    |      |    |      |    |      |    |  |  |       |    |      |    |      |    |     |    |       |    |     |    |  |  |    |            |    |            |  |  |  |            |  |   |  |   |  |        |             |   |
| +10 V   | 50         |            |         |       |    |       |    |      |    |      |    |     |    |      |    |      |    |      |    |      |    |      |    |  |  |       |    |      |    |      |    |     |    |       |    |     |    |  |  |    |            |    |            |  |  |  |            |  |   |  |   |  |        |             |   |
| A IN  | 53         |            |         |       |    |       |    |      |    |      |    |     |    |      |    |      |    |      |    |      |    |      |    |  |  |       |    |      |    |      |    |     |    |       |    |     |    |  |  |    |            |    |            |  |  |  |            |  |   |  |   |  |        |             |   |
| A IN  | 54         |            |         |       |    |       |    |      |    |      |    |     |    |      |    |      |    |      |    |      |    |      |    |  |  |       |    |      |    |      |    |     |    |       |    |     |    |  |  |    |            |    |            |  |  |  |            |  |   |  |   |  |        |             |   |
| COM   | 55         |            |         |       |    |       |    |      |    |      |    |     |    |      |    |      |    |      |    |      |    |      |    |  |  |       |    |      |    |      |    |     |    |       |    |     |    |  |  |    |            |    |            |  |  |  |            |  |   |  |   |  |        |             |   |
| A OUT   | 42         |            |         |       |    |       |    |      |    |      |    |     |    |      |    |      |    |      |    |      |    |      |    |  |  |       |    |      |    |      |    |     |    |       |    |     |    |  |  |    |            |    |            |  |  |  |            |  |   |  |   |  |        |             |   |
| COM   | 39         |            |         |       |    |       |    |      |    |      |    |     |    |      |    |      |    |      |    |      |    |      |    |  |  |       |    |      |    |      |    |     |    |       |    |     |    |  |  |    |            |    |            |  |  |  |            |  |   |  |   |  |        |             |   |
|   |            |            |         |       |    |       |    |      |    |      |    |     |    |      |    |      |    |      |    |      |    |      |    |  |  |       |    |      |    |      |    |     |    |       |    |     |    |  |  |    |            |    |            |  |  |  |            |  |   |  |   |  |        |             |   |
| R1  | 01, 02, 03 |            |         |       |    |       |    |      |    |      |    |     |    |      |    |      |    |      |    |      |    |      |    |  |  |       |    |      |    |      |    |     |    |       |    |     |    |  |  |    |            |    |            |  |  |  |            |  |   |  |   |  |        |             |   |
| R2  | 04, 05, 06 |            |         |       |    |       |    |      |    |      |    |     |    |      |    |      |    |      |    |      |    |      |    |  |  |       |    |      |    |      |    |     |    |       |    |     |    |  |  |    |            |    |            |  |  |  |            |  |   |  |   |  |        |             |   |
|   |            |            |         |       |    |       |    |      |    |      |    |     |    |      |    |      |    |      |    |      |    |      |    |  |  |       |    |      |    |      |    |     |    |       |    |     |    |  |  |    |            |    |            |  |  |  |            |  |   |  |   |  |        |             |   |
|   | 61, 68, 69 |            |         |       |    |       |    |      |    |      |    |     |    |      |    |      |    |      |    |      |    |      |    |  |  |       |    |      |    |      |    |     |    |       |    |     |    |  |  |    |            |    |            |  |  |  |            |  |   |  |   |  |        |             |   |
|   | +          |            |         |       |    |       |    |      |    |      |    |     |    |      |    |      |    |      |    |      |    |      |    |  |  |       |    |      |    |      |    |     |    |       |    |     |    |  |  |    |            |    |            |  |  |  |            |  |   |  |   |  |        |             |   |
|   | -          |            |         |       |    |       |    |      |    |      |    |     |    |      |    |      |    |      |    |      |    |      |    |  |  |       |    |      |    |      |    |     |    |       |    |     |    |  |  |    |            |    |            |  |  |  |            |  |   |  |   |  |        |             |   |
|   | RS-485     |            |         |       |    |       |    |      |    |      |    |     |    |      |    |      |    |      |    |      |    |      |    |  |  |       |    |      |    |      |    |     |    |       |    |     |    |  |  |    |            |    |            |  |  |  |            |  |   |  |   |  |        |             |   |

Table 6.9 RS-485 Network Connection

6.1.5 Motor Thermistor

**CAUTION**

Use only thermistors with reinforced or double insulation to meet PELV insulation requirements.

|  |       | Parameters |         |       |    |       |    |      |    |      |    |     |    |      |    |      |    |      |    |      |    |      |    |  |  |       |    |      |    |      |    |     |    |       |    |     |    |  |  |  |       |  |     |             |   |
|--|-------|------------|---------|-------|----|-------|----|------|----|------|----|-----|----|------|----|------|----|------|----|------|----|------|----|--|--|-------|----|------|----|------|----|-----|----|-------|----|-----|----|--|--|--|-------|--|-----|-------------|---|
|  |       | Function   | Setting |       |    |       |    |      |    |      |    |     |    |      |    |      |    |      |    |      |    |      |    |  |  |       |    |      |    |      |    |     |    |       |    |     |    |  |  |  |       |  |     |             |   |
| <table border="1"> <thead> <tr> <th colspan="2">VLT</th> </tr> </thead> <tbody> <tr> <td>+24 V</td> <td>12</td> </tr> <tr> <td>+24 V</td> <td>13</td> </tr> <tr> <td>D IN</td> <td>18</td> </tr> <tr> <td>D IN</td> <td>19</td> </tr> <tr> <td>COM</td> <td>20</td> </tr> <tr> <td>D IN</td> <td>27</td> </tr> <tr> <td>D IN</td> <td>29</td> </tr> <tr> <td>D IN</td> <td>32</td> </tr> <tr> <td>D IN</td> <td>33</td> </tr> <tr> <td>D IN</td> <td>37</td> </tr> <tr> <td colspan="2"> </td> </tr> <tr> <td>+10 V</td> <td>50</td> </tr> <tr> <td>A IN</td> <td>53</td> </tr> <tr> <td>A IN</td> <td>54</td> </tr> <tr> <td>COM</td> <td>55</td> </tr> <tr> <td>A OUT</td> <td>42</td> </tr> <tr> <td>COM</td> <td>39</td> </tr> <tr> <td colspan="2"> </td> </tr> <tr> <td></td> <td>U - I</td> </tr> <tr> <td></td> <td>A53</td> </tr> </tbody> </table> |       | VLT        |         | +24 V | 12 | +24 V | 13 | D IN | 18 | D IN | 19 | COM | 20 | D IN | 27 | D IN | 29 | D IN | 32 | D IN | 33 | D IN | 37 |  |  | +10 V | 50 | A IN | 53 | A IN | 54 | COM | 55 | A OUT | 42 | COM | 39 |  |  |  | U - I |  | A53 | 130BB686.12 | 1-90 Motor Thermal Protection [2] Thermistor trip<br>1-93 Thermistor Source [1] Analog input 53<br>* = Default Value<br><b>Notes/comments:</b><br>If only a warning is desired, 1-90 Motor Thermal Protection should be set to [1] Thermistor warning.<br>D IN 37 is an option. |
|  |       | VLT        |         |       |    |       |    |      |    |      |    |     |    |      |    |      |    |      |    |      |    |      |    |  |  |       |    |      |    |      |    |     |    |       |    |     |    |  |  |  |       |  |     |             |   |
|  |       | +24 V      | 12      |       |    |       |    |      |    |      |    |     |    |      |    |      |    |      |    |      |    |      |    |  |  |       |    |      |    |      |    |     |    |       |    |     |    |  |  |  |       |  |     |             |   |
|  |       | +24 V      | 13      |       |    |       |    |      |    |      |    |     |    |      |    |      |    |      |    |      |    |      |    |  |  |       |    |      |    |      |    |     |    |       |    |     |    |  |  |  |       |  |     |             |   |
| D IN   | 18    |            |         |       |    |       |    |      |    |      |    |     |    |      |    |      |    |      |    |      |    |      |    |  |  |       |    |      |    |      |    |     |    |       |    |     |    |  |  |  |       |  |     |             |   |
| D IN   | 19    |            |         |       |    |       |    |      |    |      |    |     |    |      |    |      |    |      |    |      |    |      |    |  |  |       |    |      |    |      |    |     |    |       |    |     |    |  |  |  |       |  |     |             |   |
| COM  | 20    |            |         |       |    |       |    |      |    |      |    |     |    |      |    |      |    |      |    |      |    |      |    |  |  |       |    |      |    |      |    |     |    |       |    |     |    |  |  |  |       |  |     |             |   |
| D IN   | 27    |            |         |       |    |       |    |      |    |      |    |     |    |      |    |      |    |      |    |      |    |      |    |  |  |       |    |      |    |      |    |     |    |       |    |     |    |  |  |  |       |  |     |             |   |
| D IN   | 29    |            |         |       |    |       |    |      |    |      |    |     |    |      |    |      |    |      |    |      |    |      |    |  |  |       |    |      |    |      |    |     |    |       |    |     |    |  |  |  |       |  |     |             |   |
| D IN   | 32    |            |         |       |    |       |    |      |    |      |    |     |    |      |    |      |    |      |    |      |    |      |    |  |  |       |    |      |    |      |    |     |    |       |    |     |    |  |  |  |       |  |     |             |   |
| D IN   | 33    |            |         |       |    |       |    |      |    |      |    |     |    |      |    |      |    |      |    |      |    |      |    |  |  |       |    |      |    |      |    |     |    |       |    |     |    |  |  |  |       |  |     |             |   |
| D IN   | 37    |            |         |       |    |       |    |      |    |      |    |     |    |      |    |      |    |      |    |      |    |      |    |  |  |       |    |      |    |      |    |     |    |       |    |     |    |  |  |  |       |  |     |             |   |
|  |       |            |         |       |    |       |    |      |    |      |    |     |    |      |    |      |    |      |    |      |    |      |    |  |  |       |    |      |    |      |    |     |    |       |    |     |    |  |  |  |       |  |     |             |   |
| +10 V  | 50    |            |         |       |    |       |    |      |    |      |    |     |    |      |    |      |    |      |    |      |    |      |    |  |  |       |    |      |    |      |    |     |    |       |    |     |    |  |  |  |       |  |     |             |   |
| A IN   | 53    |            |         |       |    |       |    |      |    |      |    |     |    |      |    |      |    |      |    |      |    |      |    |  |  |       |    |      |    |      |    |     |    |       |    |     |    |  |  |  |       |  |     |             |   |
| A IN   | 54    |            |         |       |    |       |    |      |    |      |    |     |    |      |    |      |    |      |    |      |    |      |    |  |  |       |    |      |    |      |    |     |    |       |    |     |    |  |  |  |       |  |     |             |   |
| COM  | 55    |            |         |       |    |       |    |      |    |      |    |     |    |      |    |      |    |      |    |      |    |      |    |  |  |       |    |      |    |      |    |     |    |       |    |     |    |  |  |  |       |  |     |             |   |
| A OUT  | 42    |            |         |       |    |       |    |      |    |      |    |     |    |      |    |      |    |      |    |      |    |      |    |  |  |       |    |      |    |      |    |     |    |       |    |     |    |  |  |  |       |  |     |             |   |
| COM  | 39    |            |         |       |    |       |    |      |    |      |    |     |    |      |    |      |    |      |    |      |    |      |    |  |  |       |    |      |    |      |    |     |    |       |    |     |    |  |  |  |       |  |     |             |   |
|  |       |            |         |       |    |       |    |      |    |      |    |     |    |      |    |      |    |      |    |      |    |      |    |  |  |       |    |      |    |      |    |     |    |       |    |     |    |  |  |  |       |  |     |             |   |
|  | U - I |            |         |       |    |       |    |      |    |      |    |     |    |      |    |      |    |      |    |      |    |      |    |  |  |       |    |      |    |      |    |     |    |       |    |     |    |  |  |  |       |  |     |             |   |
|  | A53   |            |         |       |    |       |    |      |    |      |    |     |    |      |    |      |    |      |    |      |    |      |    |  |  |       |    |      |    |      |    |     |    |       |    |     |    |  |  |  |       |  |     |             |   |

Table 6.10 Motor Thermistor

## 7 Diagnostics and Troubleshooting

This chapter describes the status messages, warnings and alarms and basic troubleshooting.

### 7.1 Status Messages

When the frequency converter is in status mode, status messages are generated automatically and appear in the bottom line of the display (see *Illustration 7.1*).

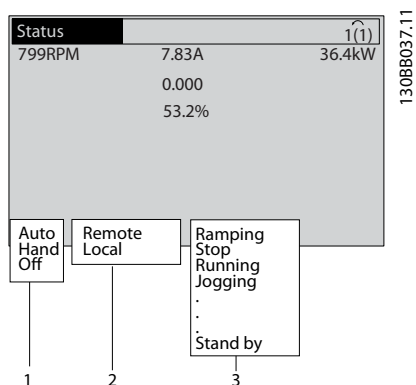


Illustration 7.1 Status Display

|   |  |
|---|--|
| 1 | Operation Mode (see <i>Table 7.2</i> )   |
| 2 | Reference Site (see <i>Table 7.3</i> )   |
| 3 | Operation Status (see <i>Table 7.4</i> ) |

Table 7.1 Legend to *Illustration 7.1*

*Table 7.2* to *Table 7.4* describe the displayed status messages.

|         |  |
|---------|--|
| Off     | The frequency converter does not react to any control signal until [Auto On] or [Hand On] is pressed.  |
| Auto On | The frequency converter is controlled from the control terminals and/or the serial communication.  |
| Hand On | The frequency converter can be controlled by the navigation keys on the LCP. Stop commands, reset, reversing, DC brake, and other signals applied to the control terminals can override local control. |

Table 7.2 Operation Mode

|        |  |
|--------|--|
| Remote | The speed reference is given from external signals, serial communication, or internal preset references. |
| Local  | The frequency converter uses [Hand On] control or reference values from the LCP.                         |

Table 7.3 Reference Site

|                 |  |
|-----------------|--|
| AC Brake        | AC Brake was selected in <i>2-10 Brake Function</i> . The AC brake over-magnetizes the motor to achieve a controlled slow-down.  |
| AMA finish OK   | Automatic motor adaptation (AMA) was carried out successfully.   |
| AMA ready       | AMA is ready to start. Press [Hand On] to start.   |
| AMA running     | AMA process is in progress.  |
| Braking         | The brake chopper is in operation. Generative energy is absorbed by the brake resistor.  |
| Braking max.    | The brake chopper is in operation. The power limit for the brake resistor defined in <i>2-12 Brake Power Limit (kW)</i> has been reached.  |
| Coast           | <ul style="list-style-type: none"> <li>Coast inverse was selected as a function for a digital input (parameter group <i>5-1* Digital Inputs</i>). The corresponding terminal is not connected.</li> <li>Coast activated by serial communication</li> </ul>   |
| Ctrl. Ramp-down | Control Ramp-down was selected in <i>14-10 Mains Failure</i> . <ul style="list-style-type: none"> <li>The mains voltage is below the value set in <i>14-11 Mains Voltage at Mains Fault</i> at mains fault</li> <li>The frequency converter ramps down the motor using a controlled ramp down</li> </ul> |
| Current High    | The frequency converter output current is above the limit set in <i>4-51 Warning Current High</i> .  |
| Current Low     | The frequency converter output current is below the limit set in <i>4-52 Warning Speed Low</i>   |
| DC Hold         | DC hold is selected in <i>1-80 Function at Stop</i> and a stop command is active. The motor is held by a DC current set in <i>2-00 DC Hold/Preheat Current</i> .   |

|                       |   |
|-----------------------|---|
| DC Stop               | <p>The motor is held with a DC current (2-01 DC Brake Current) for a specified time (2-02 DC Braking Time).</p> <ul style="list-style-type: none"> <li>DC Brake is activated in 2-03 DC Brake Cut In Speed [RPM] and a stop command is active.</li> <li>DC Brake (inverse) is selected as a function for a digital input (parameter group 5-1* Digital Inputs). The corresponding terminal is not active.</li> <li>The DC Brake is activated via serial communication.</li> </ul> |
| Feedback high         | The sum of all active feedbacks is above the feedback limit set in 4-57 Warning Feedback High.  |
| Feedback low          | The sum of all active feedbacks is below the feedback limit set in 4-56 Warning Feedback Low.   |
| Freeze output         | <p>The remote reference is active, which holds the present speed.</p> <ul style="list-style-type: none"> <li>Freeze output was selected as a function for a digital input (parameter group 5-1* Digital Inputs). The corresponding terminal is active. Speed control is only possible via the terminal functions Speed Up and Speed Down.</li> <li>Hold ramp is activated via serial communication.</li> </ul>  |
| Freeze output request | A freeze output command has been given, but the motor will remain stopped until a run permissive signal is received.  |
| Freeze ref.           | Freeze Reference was chosen as a function for a digital input (parameter group 5-1* Digital Inputs). The corresponding terminal is active. The frequency converter saves the actual reference. Changing the reference is now only possible via terminal functions Speed Up and Speed Down.  |
| Jog request           | A jog command has been given, but the motor remains stopped until a run permissive signal is received via a digital input.  |
| Jogging               | <p>The motor is running as programmed in 3-19 Jog Speed [RPM].</p> <ul style="list-style-type: none"> <li>Jog was selected as function for a digital input (parameter group 5-1* Digital Inputs). The corresponding terminal (e.g. Terminal 29) is active.</li> <li>The Jog function is activated via the serial communication.</li> <li>The Jog function was selected as a reaction for a monitoring function (e.g. No signal). The monitoring function is active.</li> </ul>    |

|               |   |
|---------------|---|
| Motor check   | In 1-80 Function at Stop, Motor Check was selected. A stop command is active. To ensure that a motor is connected to the frequency converter, a permanent test current is applied to the motor.   |
| OVC control   | Overvoltage control was activated in 2-17 Overvoltage Control, [2] Enabled. The connected motor is supplying the frequency converter with generative energy. The overvoltage control adjusts the V/Hz ratio to run the motor in controlled mode and to prevent the frequency converter from tripping.   |
| PowerUnit Off | (Only frequency converters with an external 24 V power supply installed). Mains supply to the frequency converter is removed, but the control card is supplied by the external 24 V.  |
| Protection md | <p>Protection mode is active. The unit has detected a critical status (an overcurrent or overvoltage).</p> <ul style="list-style-type: none"> <li>To avoid tripping, switching frequency is reduced to 4 kHz.</li> <li>If possible, protection mode ends after approximately 10 s</li> <li>Protection mode can be restricted in 14-26 Trip Delay at Inverter Fault</li> </ul> |
| QStop         | <p>The motor is decelerating using 3-81 Quick Stop Ramp Time.</p> <ul style="list-style-type: none"> <li>Quick stop inverse was chosen as a function for a digital input (parameter group 5-1* Digital Inputs). The corresponding terminal is not active.</li> <li>The quick stop function was activated via serial communication.</li> </ul>                                 |
| Ramping       | The motor is accelerating/decelerating using the active Ramp Up/Down. The reference, a limit value, or a standstill is not yet reached.   |
| Ref. high     | The sum of all active references is above the reference limit set in 4-55 Warning Reference High.   |
| Ref. low      | The sum of all active references is below the reference limit set in 4-54 Warning Reference Low.  |
| Run on ref.   | The frequency converter is running in the reference range. The feedback value matches the setpoint value.   |
| Run request   | A start command has been given, but the motor is stopped until a run permissive signal is received via digital input.   |
| Running       | The motor is driven by the frequency converter.   |

|               |   |
|---------------|---|
| Sleep Mode    | The energy-saving function is enabled. This means that at present the motor has stopped, but it will restart automatically when required.   |
| Speed high    | Motor speed is above the value set in 4-53 <i>Warning Speed High</i> .  |
| Speed low     | Motor speed is below the value set in 4-52 <i>Warning Speed Low</i> .   |
| Standby       | In Auto On mode, the frequency converter will start the motor with a start signal from a digital input or serial communication.   |
| Start delay   | In 1-71 <i>Start Delay</i> , a delay starting time was set. A start command is activated and the motor will start after the start delay time expires.   |
| Start fwd/rev | Start forward and start reverse were selected as functions for 2 different digital inputs (parameter group 5-1* <i>Digital Inputs</i> ). The motor will start in forward or reverse depending on which corresponding terminal is activated.                           |
| Stop          | The frequency converter has received a stop command from the LCP, digital input or serial communication.  |
| Trip          | An alarm occurred and the motor is stopped. Once the cause of the alarm is cleared, the frequency converter can be reset manually by pressing [Reset] or remotely by control terminals or serial communication.   |
| Trip lock     | An alarm occurred and the motor is stopped. Once the cause of the alarm is cleared, power must be cycled to the frequency converter. The frequency converter can then be reset manually by pressing [Reset] or remotely by control terminals or serial communication. |

Table 7.4 Operation Status

## NOTICE

In auto/remote mode, the frequency converter requires external commands to execute functions.

## 7.2 Warning and Alarm Types

### Warnings

A warning is issued when an alarm condition is impending or when an abnormal operating condition is present and may result in the frequency converter issuing an alarm. A warning clears by itself when the abnormal condition is removed.

### Alarms

#### Trip

An alarm is issued when the frequency converter is tripped, which means that the frequency converter suspends operation to prevent frequency converter or system damage. The motor will coast to a stop. The frequency converter logic will continue to operate and monitor the frequency converter status. After the fault

condition is remedied, the frequency converter can be reset. It will then be ready to start operation again.

### Resetting the frequency converter after trip/trip lock

A trip can be reset in any of 4 ways:

- Press [Reset] on the LCP
- Digital reset input command
- Serial communication reset input command
- Auto reset

### Trip lock

Input power is cycled. The motor coasts to a stop. The frequency converter continues to monitor the frequency converter status. Remove input power to the frequency converter, correct the cause of the fault, and reset the frequency converter.

### Warning and Alarm Displays

- A warning is displayed in the LCP along with the warning number.
- An alarm flashes along with the alarm number.

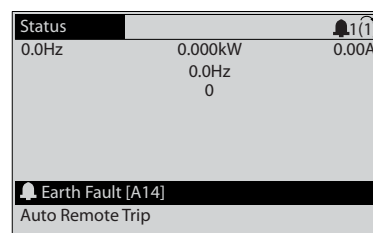


Illustration 7.2 Alarm Display Example

In addition to the text and alarm code on the LCP of the frequency converter, there are 3 status indicator lights.

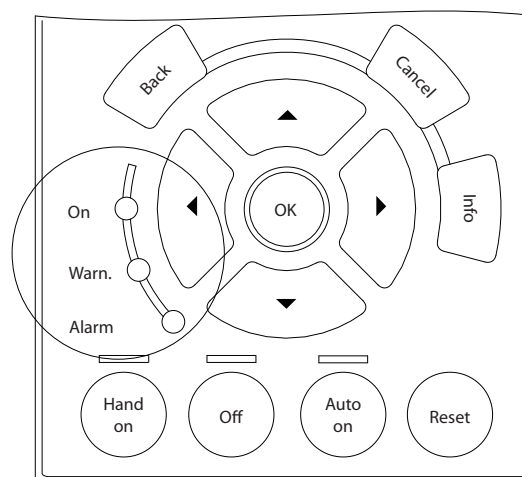


Illustration 7.3 Status Indicator Lights

|           | Warning LED | Alarm LED     |
|-----------|-------------|---------------|
| Warning   | On          | Off           |
| Alarm     | Off         | On (Flashing) |
| Trip-Lock | On          | On (Flashing) |

Table 7.5 Status Indicator Lights Explanations

### 7.3 List of Warnings and Alarms

The warning/alarm information below defines each warning/alarm condition, provides the probable cause for the condition, and details a remedy or troubleshooting procedure.

#### WARNING 1, 10 Volts low

The control card voltage is below 10 V from terminal 50. Remove some of the load from terminal 50, as the 10 V supply is overloaded. Max. 15 mA or minimum 590 Ω.

A short circuit in a connected potentiometer or improper wiring of the potentiometer can cause this condition.

#### Troubleshooting

Remove the wiring from terminal 50. If the warning clears, the problem is with the wiring. If the warning does not clear, replace the control card.

#### WARNING/ALARM 2, Live zero error

This warning or alarm only appears if programmed in *6-01 Live Zero Timeout Function*. The signal on one of the analog inputs is less than 50% of the minimum value programmed for that input. Broken wiring or faulty device sending the signal can cause this condition.

#### Troubleshooting

Check connections on all the analog input terminals. Control card terminals 53 and 54 for signals, terminal 55 common. MCB 101 terminals 11 and 12 for signals, terminal 10 common. MCB 109 terminals 1, 3, 5 for signals, terminals 2, 4, 6 common).

Check that the frequency converter programming and switch settings match the analog signal type.

Perform Input Terminal Signal Test.

#### WARNING/ALARM 4, Mains phase loss

A phase is missing on the supply side, or the mains voltage imbalance is too high. This message also appears for a fault in the input rectifier on the frequency converter. Options are programmed at *14-12 Function at Mains Imbalance*.

#### Troubleshooting

Check the supply voltage and supply currents to the frequency converter.

#### WARNING 5, DC link voltage high

The intermediate circuit voltage (DC) is higher than the high-voltage warning limit. The limit is dependent on the frequency converter voltage rating. The unit is still active.

#### WARNING 6, DC link voltage low

The intermediate circuit voltage (DC) is lower than the low-voltage warning limit. The limit is dependent on the frequency converter voltage rating. The unit is still active.

#### WARNING/ALARM 7, DC overvoltage

If the intermediate circuit voltage exceeds the limit, the frequency converter trips after a time.

#### Troubleshooting

Connect a brake resistor

Extend the ramp time

Change the ramp type

Activate the functions in *2-10 Brake Function*

Increase *14-26 Trip Delay at Inverter Fault*

If the alarm/warning occurs during a power sag, use kinetic back-up (*14-10 Mains Failure*)

#### WARNING/ALARM 8, DC under voltage

If the intermediate circuit voltage (DC link) drops below the under voltage limit, the frequency converter checks if a 24 V DC back-up supply is connected. If no 24 V DC back-up supply is connected, the frequency converter trips after a fixed time delay. The time delay varies with unit size.

#### Troubleshooting

Check that the supply voltage matches the frequency converter voltage.

Perform input voltage test.

Perform soft charge circuit test.

#### WARNING/ALARM 9, Inverter overload

The frequency converter is about to cut out because of an overload (too high current for too long). The counter for electronic, thermal inverter protection issues a warning at 98% and trips at 100%, while giving an alarm. The frequency converter *cannot* be reset until the counter is below 90%.

The fault is that the frequency converter has run with more than 100% overload for too long.

#### Troubleshooting

Compare the output current shown on the LCP with the frequency converter rated current.

Compare the output current shown on the LCP with measured motor current.

Display the Thermal Drive Load on the LCP and monitor the value. When running above the frequency converter continuous current rating, the counter increases. When running below the frequency converter continuous current rating, the counter decreases.

**WARNING/ALARM 10, Motor overload temperature**

According to the electronic thermal protection (ETR), the motor is too hot. Select whether the frequency converter issues a warning or an alarm when the counter reaches 100% in *1-90 Motor Thermal Protection*. The fault occurs when the motor runs with more than 100% overload for too long.

**Troubleshooting**

Check for motor overheating.

Check if the motor is mechanically overloaded

Check that the motor current set in *1-24 Motor Current* is correct.

Ensure that Motor data in parameters 1-20 to 1-25 are set correctly.

If an external fan is in use, check in *1-91 Motor External Fan* that it is selected.

Running AMA in *1-29 Automatic Motor Adaptation (AMA)* tunes the frequency converter to the motor more accurately and reduces thermal loading.

**WARNING/ALARM 11, Motor thermistor over temp**

Check whether the thermistor is disconnected. Select whether the frequency converter issues a warning or an alarm in *1-90 Motor Thermal Protection*.

**Troubleshooting**

Check for motor overheating.

Check if the motor is mechanically overloaded.

When using terminal 53 or 54, check that the thermistor is connected correctly between either terminal 53 or 54 (analog voltage input) and terminal 50 (+10 V supply). Also check that the terminal switch for 53 or 54 is set for voltage. Check *1-93 Thermistor Source* selects terminal 53 or 54.

When using digital inputs 18 or 19, check that the thermistor is connected correctly between either terminal 18 or 19 (digital input PNP only) and terminal 50. Check *1-93 Thermistor Source* selects terminal 18 or 19.

**WARNING/ALARM 12, Torque limit**

The torque has exceeded the value in *4-16 Torque Limit Motor Mode* or the value in *4-17 Torque Limit Generator Mode*. *14-25 Trip Delay at Torque Limit* can change this warning from a warning-only condition to a warning followed by an alarm.

**Troubleshooting**

If the motor torque limit is exceeded during ramp up, extend the ramp up time.

If the generator torque limit is exceeded during ramp down, extend the ramp down time.

If torque limit occurs while running, possibly increase the torque limit. Make sure that the system can operate safely at a higher torque.

Check the application for excessive current draw on the motor.

**WARNING/ALARM 13, Over current**

The inverter peak current limit (approximately 200% of the rated current) is exceeded. The warning lasts about 1.5 s, then the frequency converter trips and issues an alarm. Shock loading or quick acceleration with high inertia loads can cause this fault. It can also appear after kinetic back-up, if the acceleration during ramp up is quick. If extended mechanical brake control is selected, trip can be reset externally.

**Troubleshooting**

Remove power and check if the motor shaft can be turned.

Check that the motor size matches the frequency converter.

Check parameters 1-20 to 1-25 for correct motor data.

**ALARM 14, Earth (ground) fault**

There is current from the output phases to earth, either in the cable between the frequency converter and the motor or in the motor itself.

**Troubleshooting**

Remove power to the frequency converter and repair the earth fault.

Check for earth faults in the motor by measuring the resistance to ground of the motor leads and the motor with a megohmmeter.

**ALARM 15, Hardware mismatch**

A fitted option is not operational with the present control board hardware or software.

Record the value of the following parameters and contact your Danfoss supplier:

*15-40 FC Type*

*15-41 Power Section*

*15-42 Voltage*

*15-43 Software Version*

*15-45 Actual Typecode String*

*15-49 SW ID Control Card*

*15-50 SW ID Power Card*

*15-60 Option Mounted*

*15-61 Option SW Version* (for each option slot)

**ALARM 16, Short circuit**

There is short-circuiting in the motor or motor wiring.

Remove power to the frequency converter and repair the short circuit.

**WARNING/ALARM 17, Control word timeout**

There is no communication to the frequency converter. The warning is only active when *8-04 Control Word Timeout Function* is NOT set to *[0] Off*.

If *8-04 Control Word Timeout Function* is set to *[5] Stop and Trip*, a warning appears and the frequency converter ramps down until it stops then displays an alarm.

**Troubleshooting**

Check connections on the serial communication cable.

Increase *8-03 Control Word Timeout Time*

Check the operation of the communication equipment.

Verify a proper installation based on EMC requirements.

**ALARM 18, Start failed**

The speed has not been able to exceed *1-77 Compressor Start Max Speed [RPM]* during start within the allowed time. (set in *1-79 Compressor Start Max Time to Trip*). This may be caused by a blocked motor.

**WARNING 23, Internal fan fault**

The fan warning function is an extra protective function that checks if the fan is running/mounted. The fan warning can be disabled in *14-53 Fan Monitor ([0] Disabled)*.

For the D, E, and F Frame filters, the regulated voltage to the fans is monitored.

**Troubleshooting**

Check for proper fan operation.

Cycle power to the frequency converter and check that the fan operates briefly at start-up.

Check the sensors on the heatsink and control card.

**WARNING 24, External fan fault**

The fan warning function is an extra protective function that checks if the fan is running/mounted. The fan warning can be disabled in *14-53 Fan Monitor ([0] Disabled)*.

**Troubleshooting**

Check for proper fan operation.

Cycle power to the frequency converter and check that the fan operates briefly at start-up.

Check the sensors on the heatsink and control card.

**WARNING 25, Brake resistor short circuit**

The brake resistor is monitored during operation. If a short circuit occurs, the brake function is disabled and the warning appears. The frequency converter is still operational but without the brake function. Remove power to the frequency converter and replace the brake resistor (see *2-15 Brake Check*).

**WARNING/ALARM 26, Brake resistor power limit**

The power transmitted to the brake resistor is calculated as a mean value over the last 120 seconds of run time. The calculation is based on the intermediate circuit voltage and the brake resistance value set in *2-16 AC brake Max. Current*. The warning is active when the dissipated braking power is higher than 90% of the brake resistance power. If *[2] Trip* is selected in *2-13 Brake Power Monitoring*, the frequency converter trips when the dissipated braking power reaches 100%.

**WARNING/ALARM 27, Brake chopper fault**

The brake transistor is monitored during operation and if a short circuit occurs, the brake function is disabled and a warning is issued. The frequency converter is still operational but, since the brake transistor has short-circuited, substantial power is transmitted to the brake resistor, even if it is inactive.

Remove power to the frequency converter and remove the brake resistor.

**WARNING/ALARM 28, Brake check failed**

The brake resistor is not connected or not working. Check *2-15 Brake Check*.

**ALARM 29, Heatsink temp**

The maximum temperature of the heatsink has been exceeded. The temperature fault will not reset until the temperature falls below a defined heatsink temperature. The trip and reset points are different based on the frequency converter power size.

**Troubleshooting**

Check for the following conditions.

Ambient temperature too high.

Motor cable too long.

Incorrect airflow clearance above and below the frequency converter.

Blocked airflow around the frequency converter.

Damaged heatsink fan.

Dirty heatsink.

**ALARM 30, Motor phase U missing**

Motor phase U between the frequency converter and the motor is missing.

Remove power from the frequency converter and check motor phase U.

**ALARM 31, Motor phase V missing**

Motor phase V between the frequency converter and the motor is missing.

Remove power from the frequency converter and check motor phase V.

**ALARM 32, Motor phase W missing**

Motor phase W between the frequency converter and the motor is missing.

Remove power from the frequency converter and check motor phase W.

**ALARM 33, Inrush fault**

Too many power-ups have occurred within a short time period. Let the unit cool to operating temperature.

**WARNING/ALARM 34, Fieldbus communication fault**

The fieldbus on the communication option card is not working.

**WARNING/ALARM 36, Mains failure**

This warning/alarm is only active if the supply voltage to the frequency converter is lost and *14-10 Mains Failure* is NOT set to [0] *No Function*. Check the fuses to the frequency converter and mains supply to the unit.

**ALARM 38, Internal fault**

When an internal fault occurs, a code number defined in *Table 7.6* is displayed.

**Troubleshooting**

- Cycle power
- Check that the option is properly installed
- Check for loose or missing wiring

It may be necessary to contact your Danfoss supplier or service department. Note the code number for further troubleshooting directions.

| No.       | Text  |
|-----------|---|
| 0         | Serial port cannot be initialised. Contact your Danfoss supplier or Danfoss Service Department. |
| 256-258   | Power EEPROM data is defective or too old. Replace power card.                                  |
| 512-519   | Internal fault. Contact your Danfoss supplier or Danfoss Service Department.                    |
| 783       | Parameter value outside of min/max limits   |
| 1024-1284 | Internal fault. Contact your Danfoss supplier or the Danfoss Service Department.                |
| 1299      | Option SW in slot A is too old  |
| 1300      | Option SW in slot B is too old  |
| 1315      | Option SW in slot A is not supported (not allowed)  |
| 1316      | Option SW in slot B is not supported (not allowed)  |
| 1379-2819 | Internal fault. Contact your Danfoss supplier or Danfoss Service Department.                    |
| 2561      | Replace control card  |
| 2820      | LCP stack overflow  |
| 2821      | Serial port overflow  |
| 2822      | USB port overflow   |
| 3072-5122 | Parameter value is outside its limits   |
| 5123      | Option in slot A: Hardware incompatible with control board hardware                             |
| 5124      | Option in slot B: Hardware incompatible with control board hardware                             |
| 5376-6231 | Internal fault. Contact your Danfoss supplier or Danfoss Service Department.                    |

**Table 7.6 Internal Fault Codes**

**ALARM 39, Heatsink sensor**

No feedback from the heatsink temperature sensor.

The signal from the IGBT thermal sensor is not available on the power card. The problem could be on the power card, on the gate drive card, or the ribbon cable between the power card and gate drive card.

**WARNING 40, Overload of digital output terminal 27**

Check the load connected to terminal 27 or remove short-circuit connection. Check *5-00 Digital I/O Mode* and *5-01 Terminal 27 Mode*.

**WARNING 41, Overload of digital output terminal 29**

Check the load connected to terminal 29 or remove short-circuit connection. Check *5-00 Digital I/O Mode* and *5-02 Terminal 29 Mode*.

**WARNING 42, Overload of digital output on X30/6 or overload of digital output on X30/7**

For X30/6, check the load connected to X30/6 or remove the short-circuit connection. Check *5-32 Term X30/6 Digi Out (MCB 101)*.

For X30/7, check the load connected to X30/7 or remove the short-circuit connection. Check *5-33 Term X30/7 Digi Out (MCB 101)*.

**ALARM 45, Earth fault 2**

Earth (ground) fault on start-up.

**Troubleshooting**

- Check for proper earthing (grounding) and loose connections.
- Check for proper wire size.
- Check motor cables for short-circuits or leakage currents.

**ALARM 46, Power card supply**

The supply on the power card is out of range.

There are three power supplies generated by the switch mode power supply (SMPS) on the power card: 24 V, 5 V,  $\pm 18$  V. When powered with 24 V DC with the MCB 107 option, only the 24 V and 5 V supplies are monitored. When powered with three phase mains voltage, all three supplies are monitored.

**Troubleshooting**

- Check for a defective power card.
- Check for a defective control card.
- Check for a defective option card.
- If a 24 V DC power supply is used, verify proper supply power.

**WARNING 47, 24 V supply low**

The 24 V DC is measured on the control card. The external 24 V DC back-up power supply may be overloaded, otherwise contact the Danfoss supplier.



**WARNING 48, 1.8 V supply low**

The 1.8 V DC supply used on the control card is outside of allowable limits. The power supply is measured on the control card. Check for a defective control card. If an option card is present, check for an overvoltage condition.

**WARNING 49, Speed limit**

When the speed is not within the specified range in *4-11 Motor Speed Low Limit [RPM]* and *4-13 Motor Speed High Limit [RPM]*, the frequency converter shows a warning. When the speed is below the specified limit in *1-86 Trip Speed Low [RPM]* (except when starting or stopping), the frequency converter trips.

**ALARM 50, AMA calibration failed**

Contact your Danfoss supplier or Danfoss Service Department.

**ALARM 51, AMA check  $U_{nom}$  and  $I_{nom}$** 

The settings for motor voltage, motor current and motor power are wrong. Check the settings in parameters 1-20 to 1-25.

**ALARM 52, AMA low  $I_{nom}$** 

The motor current is too low. Check the settings.

**ALARM 53, AMA motor too big**

The motor is too big for the AMA to operate.

**ALARM 54, AMA motor too small**

The motor is too small for the AMA to operate.

**ALARM 55, AMA parameter out of range**

The parameter values of the motor are outside of the acceptable range. AMA cannot run.

**ALARM 56, AMA interrupted by user**

The user has interrupted the AMA.

**ALARM 57, AMA internal fault**

Try to restart AMA again. Repeated restarts can over heat the motor.

**ALARM 58, AMA Internal fault**

Contact your Danfoss supplier.

**WARNING 59, Current limit**

The current is higher than the value in *4-18 Current Limit*. Ensure that Motor data in parameters 1-20 to 1-25 are set correctly. Possibly increase the current limit. Be sure that the system can operate safely at a higher limit.

**WARNING 60, External interlock**

A digital input signal is indicating a fault condition external to the frequency converter. An external interlock has commanded the frequency converter to trip. Clear the external fault condition. To resume normal operation, apply 24 V DC to the terminal programmed for external interlock. Reset the frequency converter.

**WARNING 62, Output frequency at maximum limit**

The output frequency has reached the value set in *4-19 Max Output Frequency*. Check the application to determine the cause. Possibly increase the output

frequency limit. Be sure the system can operate safely at a higher output frequency. The warning will clear when the output drops below the maximum limit.

**WARNING/ALARM 65, Control card over temperature**

The cut-out temperature of the control card is 80 °C.

**Troubleshooting**

- Check that the ambient operating temperature is within limits
- Check for clogged filters
- Check fan operation
- Check the control card

**WARNING 66, Heatsink temperature low**

The frequency converter is too cold to operate. This warning is based on the temperature sensor in the IGBT module.

Increase the ambient temperature of the unit. Also, a trickle amount of current can be supplied to the frequency converter whenever the motor is stopped by setting *2-00 DC Hold/Preheat Current* at 5% and *1-80 Function at Stop*

**ALARM 67, Option module configuration has changed**

One or more options have either been added or removed since the last power-down. Check that the configuration change is intentional and reset the unit.

**ALARM 68, Safe Stop activated**

Safe stop has been activated. To resume normal operation, apply 24 V DC to terminal 37, then send a reset signal (via Bus, Digital I/O, or by pressing the reset key).

**ALARM 69, Power card temperature**

The temperature sensor on the power card is either too hot or too cold.

**Troubleshooting**

- Check that the ambient operating temperature is within limits.
- Check for clogged filters.
- Check fan operation.
- Check the power card.

**ALARM 70, Illegal FC configuration**

The control card and power card are incompatible. To check compatibility, contact your supplier with the type code of the unit from the nameplate and the part numbers of the cards.

**ALARM 80, Drive initialised to default value**

Parameter settings are initialised to default settings after a manual reset. To clear the alarm, reset the unit.

**ALARM 92, No flow**

A no-flow condition has been detected in the system. *22-23 No-Flow Function* is set for alarm. Troubleshoot the system and reset the frequency converter after the fault has been cleared.

**ALARM 93, Dry pump**

A no-flow condition in the system with the frequency converter operating at high speed may indicate a dry pump. *22-26 Dry Pump Function* is set for alarm. Troubleshoot the system and reset the frequency converter after the fault has been cleared.

**ALARM 94, End of curve**

Feedback is lower than the set point. This may indicate leakage in the system. *22-50 End of Curve Function* is set for alarm. Troubleshoot the system and reset the frequency converter after the fault has been cleared.

**ALARM 95, Broken belt**

Torque is below the torque level set for no load, indicating a broken belt. *22-60 Broken Belt Function* is set for alarm. Troubleshoot the system and reset the frequency converter after the fault has been cleared.

**ALARM 96, Start delayed**

Motor start has been delayed due to short-cycle protection. *22-76 Interval between Starts* is enabled. Troubleshoot the system and reset the frequency converter after the fault has been cleared.

**WARNING 97, Stop delayed**

Stopping the motor has been delayed due to short cycle protection. *22-76 Interval between Starts* is enabled. Troubleshoot the system and reset the frequency converter after the fault has been cleared.

**WARNING 98, Clock fault**

Time is not set or the RTC clock has failed. Reset the clock in *0-70 Date and Time*.

**WARNING 200, Fire mode**

This warning indicates the frequency converter is operating in fire mode. The warning clears when fire mode is removed. See the fire mode data in the alarm log.

**WARNING 201, Fire mode was active**

This indicates the frequency converter had entered fire mode. Cycle power to the unit to remove the warning. See the fire mode data in the alarm log.

**WARNING 202, Fire mode limits exceeded**

While operating in fire mode one or more alarm conditions have been ignored which would normally trip the unit. Operating in this condition voids unit warranty. Cycle power to the unit to remove the warning. See the fire mode data in the alarm log.

**WARNING 203, Missing motor**

With a frequency converter operating multi-motors, an under-load condition was detected. This could indicate a missing motor. Inspect the system for proper operation.

**WARNING 204, Locked rotor**

With a frequency converter operating multi-motors, an overload condition was detected. This could indicate a locked rotor. Inspect the motor for proper operation.

**WARNING 250, New spare part**

A component in the frequency converter has been replaced. Reset the frequency converter for normal operation.

**WARNING 251, New typecode**

The power card or other components have been replaced and the typecode changed. Reset to remove the warning and resume normal operation.

## 7.4 Troubleshooting

| Symptom                             | Possible cause  | Test   | Solution   |
|-------------------------------------|---|--|--|
| Display dark/No function            | Missing input power   | See <i>Table 4.5</i>   | Check the input power source.  |
|                                     | Missing or open fuses or circuit breaker tripped  | See open fuses and tripped circuit breaker in this table for possible causes   | Follow the recommendations provided.   |
|                                     | No power to the LCP   | Check the LCP cable for proper connection or damage  | Replace the faulty LCP or connection cable.  |
|                                     | Shortcut on control voltage (terminal 12 or 50) or at control terminals                                 | Check the 24 V control voltage supply for terminals 12/13 to 20-39 or 10 V supply for terminals 50 to 55   | Wire the terminals properly.   |
|                                     | Wrong LCP (LCP from VLT® 2800 or 5000/6000/8000/ FCD or FCM)  |  | Use only LCP 101 (P/N 130B1124) or LCP 102 (P/N 130B1107).   |
|                                     | Wrong contrast setting  |  | Press [Status] + [▲]/[▼] to adjust the contrast.   |
|                                     | Display (LCP) is defective  | Test using a different LCP   | Replace the faulty LCP or connection cable.  |
|                                     | Internal voltage supply fault or SMPS is defective  |  | Contact supplier.  |
| Intermittent display                | Overloaded power supply (SMPS) due to improper control wiring or a fault within the frequency converter | To rule out a problem in the control wiring, disconnect all control wiring by removing the terminal blocks.  | If the display stays lit, then the problem is in the control wiring. Check the wiring for short circuits or incorrect connections. If the display continues to cut out, follow the procedure for display dark.     |
| Motor not running                   | Service switch open or missing motor connection   | Check if the motor is connected and the connection is not interrupted (by a service switch or other device).   | Connect the motor and check the service switch.  |
|                                     | No mains power with 24 V DC option card   | If the display is functioning but no output, check that mains power is applied to the frequency converter.   | Apply mains power to run the unit.   |
|                                     | LCP Stop  | Check if [Off] has been pressed  | Press [Auto On] or [Hand On] (depending on operation mode) to run the motor.   |
|                                     | Missing start signal (Standby)  | Check <i>5-10 Terminal 18 Digital Input</i> for correct setting for terminal 18 (use default setting)  | Apply a valid start signal to start the motor.   |
|                                     | Motor coast signal active (Coasting)  | Check <i>5-12 Coast inv.</i> for correct setting for terminal 27 (use default setting)..   | Apply 24 V on terminal 27 or program this terminal to <i>No operation</i> .  |
|                                     | Wrong reference signal source   | Check reference signal: Local, remote or bus reference? Preset reference active? Terminal connection correct? Scaling of terminals correct? Reference signal available?            | Program correct settings. Check <i>3-13 Reference Site</i> . Set preset reference active in parameter group <i>3-1* References</i> . Check for correct wiring. Check scaling of terminals. Check reference signal. |
| Motor running in wrong direction    | Motor rotation limit  | Check that <i>4-10 Motor Speed Direction</i> is programmed correctly.  | Program correct settings.  |
|                                     | Active reversing signal   | Check if a reversing command is programmed for the terminal in parameter group <i>5-1* Digital inputs</i> ..   | Deactivate reversing signal.   |
|                                     | Wrong motor phase connection  |  | See <i>5.5 Checking Motor Rotation</i> .   |
| Motor is not reaching maximum speed | Frequency limits set wrong  | Check output limits in <i>4-13 Motor Speed High Limit [RPM]</i> , <i>4-14 Motor Speed High Limit [Hz]</i> and <i>4-19 Max Output Frequency</i> .                                   | Program correct limits.  |
|                                     | Reference input signal not scaled correctly   | Check reference input signal scaling in <i>6-0* Analog I/O Mode</i> and parameter group <i>3-1* References</i> . Reference limits in parameter group <i>3-0* Reference Limit</i> . | Program correct settings.  |

| Symptom   | Possible cause  | Test  | Solution  |
|---|---|---|---|
| Motor speed unstable  | Possible incorrect parameter settings   | Check the settings of all motor parameters, including all motor compensation settings. For closed-loop operation, check PID settings. | Check settings in parameter group 1-6* <i>Analog I/O mode</i> . For closed-loop operation, check settings in parameter group 20-0* <i>Feedback</i> .  |
| Motor runs rough  | Possible over-magnetisation   | Check for incorrect motor settings in all motor parameters  | Check motor settings in parameter groups 1-2* <i>Motor Data</i> , 1-3* <i>Adv Motor Data</i> , and 1-5* <i>Load Indep. Setting</i> .  |
| Motor will not brake  | Possible incorrect settings in the brake parameters. Possible too short ramp-down times | Check brake parameters. Check ramp-time settings  | Check parameter group 2-0* <i>DC Brake</i> and 3-0* <i>Reference Limits</i> .   |
| Open power fuses or circuit breaker trip  | Phase to phase short  | Motor or panel has a short phase to phase. Check motor and panel phase for shorts   | Eliminate any short circuits detected.  |
|   | Motor overload  | Motor is overloaded for the application   | Perform startup test and verify motor current is within specifications. If motor current is exceeding nameplate full load current, motor may run only with reduced load. Review the specifications for the application. |
|   | Loose connections   | Perform pre-startup check for loose connections   | Tighten loose connections.  |
| Mains current imbalance greater than 3%   | Problem with mains power (See <i>Alarm 4 Mains phase loss</i> description)              | Rotate input power leads into the frequency converter 1 position: A to B, B to C, C to A.   | If imbalanced leg follows the wire, it is a power problem. Check mains power supply.  |
|   | Problem with the frequency converter  | Rotate input power leads into the frequency converter 1 position: A to B, B to C, C to A.   | If imbalance leg stays on same input terminal, it is a problem with the unit. Contact the supplier.   |
| Motor current imbalance greater than 3%   | Problem with motor or motor wiring  | Rotate output motor leads 1 position: U to V, V to W, W to U.   | If imbalanced leg follows the wire, the problem is in the motor or motor wiring. Check motor and motor wiring.  |
|   | Problem with the frequency converters   | Rotate output motor leads 1 position: U to V, V to W, W to U.   | If imbalance leg stays on same output terminal, it is a problem with the unit. Contact the supplier.  |
| Frequency converter acceleration problems   | Motor data are entered incorrectly  | If warnings or alarms occur, see 7.3 <i>List of Warnings and Alarms</i><br>Check that motor data are entered correctly                | Increase the ramp-up time in 3-41 <i>Ramp 1 Ramp Up Time</i> . Increase current limit in 4-18 <i>Current Limit</i> . Increase torque limit in 4-16 <i>Torque Limit Motor Mode</i> .                                     |
| Frequency converter deceleration problems   | Motor data are entered incorrectly  | If warnings or alarms occur, see 7.3 <i>List of Warnings and Alarms</i><br>Check that motor data are entered correctly                | Increase the ramp-down time in 3-42 <i>Ramp 1 Ramp Down Time</i> . Enable overvoltage control in 2-17 <i>Over-voltage Control</i> .   |
| Acoustic noise or vibration (e.g. a fan blade is making noise or vibrations at certain frequencies) | Resonances, e.g. in the motor/fan system  | Bypass critical frequencies by using parameters in parameter group 4-6* <i>Speed Bypass</i>   | Check if noise and/or vibration have been reduced to an acceptable limit.   |
|   |   | Turn off over-modulation in 14-03 <i>Overmodulation</i>   |   |
|   |   | Change switching pattern and frequency in parameter group 14-0* <i>Inverter Switching</i>   |   |
|   |   | Increase Resonance Dampening in 1-64 <i>Resonance Dampening</i>   |   |

Table 7.7 Troubleshooting

## 8 Specifications

### 8.1 Electrical Data

#### 8.1.1 Mains Supply 3x200-240 V AC

| Type Designation  | P1K1                                    | P1K5  | P2K2  | P3K0 | P3K7 |
|---|---|-------|-------|------|------|
| Typical Shaft Output [kW]   | 1.1                                     | 1.5   | 2.2   | 3.0  | 3.7  |
| Typical Shaft Output [HP] at 208 V  | 1.5                                     | 2.0   | 2.9   | 4.0  | 4.9  |
| IP20/Chassis <sup>6)</sup>  | A2                                      | A2    | A2    | A3   | A3   |
| IP55/Type 12  | A4/A5                                   | A4/A5 | A4/A5 | A5   | A5   |
| IP66/NEMA 4X  | A4/A5                                   | A4/A5 | A4/A5 | A5   | A5   |
| <b>Output current</b>   |   |       |       |      |      |
| Continuous (3x200-240 V) [A]  | 6.6                                     | 7.5   | 10.6  | 12.5 | 16.7 |
| Intermittent (3x200-240 V) [A]  | 7.3                                     | 8.3   | 11.7  | 13.8 | 18.4 |
| Continuous kVA (208 V AC) [kVA]   | 2.38                                    | 2.70  | 3.82  | 4.50 | 6.00 |
| <b>Max. input current</b>   |   |       |       |      |      |
| Continuous (3x200-240 V) [A]  | 5.9                                     | 6.8   | 9.5   | 11.3 | 15.0 |
| Intermittent (3x200-240 V) [A]  | 6.5                                     | 7.5   | 10.5  | 12.4 | 16.5 |
| <b>Additional specifications</b>  |   |       |       |      |      |
| Estimated power loss at rated max. load [W] <sup>4)</sup>   | 63                                      | 82    | 116   | 155  | 185  |
| IP20, IP21 max. cable cross-section (mains, motor, brake and load sharing) [mm <sup>2</sup> /(AWG)] | 4, 4, 4 (12, 12, 12)<br>(min. 0.2 (24)) |       |       |      |      |
| IP55, IP66 max. cable cross-section (mains, motor, brake and load sharing) [mm <sup>2</sup> /(AWG)] | 4, 4, 4 (12, 12, 12)                    |       |       |      |      |
| Max. cable cross-section with disconnect  | 6, 4, 4 (10, 12, 12)                    |       |       |      |      |
| Efficiency <sup>3)</sup>  | 0.96                                    | 0.96  | 0.96  | 0.96 | 0.96 |



Table 8.1 Mains Supply 3x200-240 V AC - Normal overload 110% for 1 minute, P1K1-P3K7

| Type Designation   | P5K5                 | P7K5 | P11K                 | P15K   | P18K   | P22K | P30K  | P37K         | P45K  |
|--|----------------------|------|----------------------|--------|--------|------|-------|--------------|-------|
| Typical Shaft Output [kW]  | 5.5                  | 7.5  | 11                   | 15     | 18.5   | 22   | 30    | 37           | 45    |
| Typical Shaft Output [HP] at 208 V   | 7.5                  | 10   | 15                   | 20     | 25     | 30   | 40    | 50           | 60    |
| IP20/Chassis <sup>7)</sup>   | B3                   | B3   | B3                   | B4     | B4     | C3   | C3    | C4           | C4    |
| IP21/NEMA 1  | B1                   | B1   | B1                   | B2     | C1     | C1   | C1    | C2           | C2    |
| IP55/Type 12   | B1                   | B1   | B1                   | B2     | C1     | C1   | C1    | C2           | C2    |
| IP66/NEMA 4X   | B1                   | B1   | B1                   | B2     | C1     | C1   | C1    | C2           | C2    |
| <b>Output current</b>  |                      |      |                      |        |        |      |       |              |       |
| Continuous (3x200-240 V) [A]   | 24.2                 | 30.8 | 46.2                 | 59.4   | 74.8   | 88.0 | 115   | 143          | 170   |
| Intermittent (3x200-240 V) [A]   | 26.6                 | 33.9 | 50.8                 | 65.3   | 82.3   | 96.8 | 127   | 157          | 187   |
| Continuous kVA (208 V AC) [kVA]  | 8.7                  | 11.1 | 16.6                 | 21.4   | 26.9   | 31.7 | 41.4  | 51.5         | 61.2  |
| <b>Max. input current</b>  |                      |      |                      |        |        |      |       |              |       |
| Continuous (3x200-240 V) [A]   | 22.0                 | 28.0 | 42.0                 | 54.0   | 68.0   | 80.0 | 104.0 | 130.0        | 154.0 |
| Intermittent (3x200-240 V) [A]   | 24.2                 | 30.8 | 46.2                 | 59.4   | 74.8   | 88.0 | 114.0 | 143.0        | 169.0 |
| <b>Additional Specifications</b>   |                      |      |                      |        |        |      |       |              |       |
| Estimated power loss at rated max. load [W] <sup>4)</sup>                                | 269                  | 310  | 447                  | 602    | 737    | 845  | 1140  | 1353         | 1636  |
| IP20 max. cable cross-section (mains, brake, motor and load sharing)                     | 10, 10 (8,8,-)       |      | 35,-,-(2,-,-)        | 35 (2) | 50 (1) |      |       | 150 (300MCM) |       |
| IP21, IP55, IP66 max. cable cross-section (mains, motor) [mm <sup>2</sup> /(AWG)]        | 10, 10 (8,8,-)       |      | 35, 25, 25 (2, 4, 4) | 50 (1) |        |      |       | 150 (300MCM) |       |
| IP21, IP55, IP66 max. cable cross-section (brake, load sharing) [mm <sup>2</sup> /(AWG)] | 16, 10, 16 (6, 8, 6) |      | 35,-,-(2,-,-)        | 50 (1) |        |      |       | 95 (3/0)     |       |
| Efficiency <sup>3)</sup>   | 0.96                 | 0.96 | 0.96                 | 0.96   | 0.96   | 0.97 | 0.97  | 0.97         | 0.97  |

Table 8.2 Mains Supply 3x200-240 V AC - Normal overload 110% for 1 minute, P5K5-P45K

8.1.2 Mains Supply 3x380-480 V AC

| Type Designation  | P1K1                                    | P1K5  | P2K2  | P3K0  | P4K0  | P5K5 | P7K5 |
|---|---|-------|-------|-------|-------|------|------|
| Typical Shaft Output [kW]   | 1.1                                     | 1.5   | 2.2   | 3.0   | 4.0   | 5.5  | 7.5  |
| Typical Shaft Output [HP] at 460 V  | 1.5                                     | 2.0   | 2.9   | 4.0   | 5.0   | 7.5  | 10   |
| IP20/Chassis <sup>6)</sup>  | A2                                      | A2    | A2    | A2    | A2    | A3   | A3   |
| IP55/Type 12  | A4/A5                                   | A4/A5 | A4/A5 | A4/A5 | A4/A5 | A5   | A5   |
| IP66/NEMA 4X  | A4/A5                                   | A4/A5 | A4/A5 | A4/A5 | A4/A5 | A5   | A5   |
| <b>Output current</b>   |   |       |       |       |       |      |      |
| Continuous (3x380-440 V) [A]  | 3                                       | 4.1   | 5.6   | 7.2   | 10    | 13   | 16   |
| Intermittent (3x380-440 V) [A]  | 3.3                                     | 4.5   | 6.2   | 7.9   | 11    | 14.3 | 17.6 |
| Continuous (3x441-480 V) [A]  | 2.7                                     | 3.4   | 4.8   | 6.3   | 8.2   | 11   | 14.5 |
| Intermittent (3x441-480 V) [A]  | 3.0                                     | 3.7   | 5.3   | 6.9   | 9.0   | 12.1 | 15.4 |
| Continuous kVA (400 V AC) [kVA]   | 2.1                                     | 2.8   | 3.9   | 5.0   | 6.9   | 9.0  | 11.0 |
| Continuous kVA (460 V AC) [kVA]   | 2.4                                     | 2.7   | 3.8   | 5.0   | 6.5   | 8.8  | 11.6 |
| <b>Max. input current</b>   |   |       |       |       |       |      |      |
| Continuous (3x380-440 V) [A]  | 2.7                                     | 3.7   | 5.0   | 6.5   | 9.0   | 11.7 | 14.4 |
| Intermittent (3x380-440 V) [A]  | 3.0                                     | 4.1   | 5.5   | 7.2   | 9.9   | 12.9 | 15.8 |
| Continuous (3x441-480 V) [A]  | 2.7                                     | 3.1   | 4.3   | 5.7   | 7.4   | 9.9  | 13.0 |
| Intermittent (3x441-480 V) [A]  | 3.0                                     | 3.4   | 4.7   | 6.3   | 8.1   | 10.9 | 14.3 |
| <b>Additional specifications</b>  |   |       |       |       |       |      |      |
| Estimated power loss at rated max. load [W] <sup>4)</sup>   | 58                                      | 62    | 88    | 116   | 124   | 187  | 255  |
| IP20, IP21 max. cable cross-section (mains, motor, brake and load sharing) [mm <sup>2</sup> /(AWG)] <sup>2)</sup> | 4, 4, 4 (12, 12, 12)<br>(min. 0.2 (24)) |       |       |       |       |      |      |
| IP55, IP66 max. cable cross-section (mains, motor, brake and load sharing) [mm <sup>2</sup> /(AWG)] <sup>2)</sup> | 4, 4, 4 (12, 12, 12)                    |       |       |       |       |      |      |
| Max. cable cross-section with disconnect  | 6, 4, 4 (10, 12, 12)                    |       |       |       |       |      |      |
| Efficiency <sup>3)</sup>  | 0.96                                    | 0.97  | 0.97  | 0.97  | 0.97  | 0.97 | 0.97 |



Table 8.3 Mains Supply 3x380-480 V AC - Normal overload 110% for 1 minute, P1K1-P7K5

| Type Designation   | P11K                 | P15K | P18K                 | P22K | P30K   | P37K | P45K          | P55K | P75K          | P90K |
|--|----------------------|------|----------------------|------|--------|------|---------------|------|---------------|------|
| Typical Shaft Output [kW]  | 11                   | 15   | 18.5                 | 22   | 30     | 37   | 45            | 55   | 75            | 90   |
| Typical Shaft Output [HP] at 460 V   | 15                   | 20   | 25                   | 30   | 40     | 50   | 60            | 75   | 100           | 125  |
| IP20/Chassis <sup>7)</sup>   | B3                   | B3   | B3                   | B4   | B4     | B4   | C3            | C3   | C4            | C4   |
| IP21/NEMA 1  | B1                   | B1   | B1                   | B2   | B2     | C1   | C1            | C1   | C2            | C2   |
| IP55/Type 12   | B1                   | B1   | B1                   | B2   | B2     | C1   | C1            | C1   | C2            | C2   |
| IP66/NEMA 4X   | B1                   | B1   | B1                   | B2   | B2     | C1   | C1            | C1   | C2            | C2   |
| <b>Output current</b>  |                      |      |                      |      |        |      |               |      |               |      |
| Continuous (3x380-439 V) [A]   | 24                   | 32   | 37.5                 | 44   | 61     | 73   | 90            | 106  | 147           | 177  |
| Intermittent (3x380-439 V) [A]   | 26.4                 | 35.2 | 41.3                 | 48.4 | 67.1   | 80.3 | 99            | 117  | 162           | 195  |
| Continuous (3x440-480 V) [A]   | 21                   | 27   | 34                   | 40   | 52     | 65   | 80            | 105  | 130           | 160  |
| Intermittent (3x440-480 V) [A]   | 23.1                 | 29.7 | 37.4                 | 44   | 61.6   | 71.5 | 88            | 116  | 143           | 176  |
| Continuous kVA (400 V AC) [kVA]  | 16.6                 | 22.2 | 26                   | 30.5 | 42.3   | 50.6 | 62.4          | 73.4 | 102           | 123  |
| Continuous kVA (460 V AC) [kVA]  | 16.7                 | 21.5 | 27.1                 | 31.9 | 41.4   | 51.8 | 63.7          | 83.7 | 104           | 128  |
| <b>Max. input current</b>  |                      |      |                      |      |        |      |               |      |               |      |
| Continuous (3x380-439 V) [A]   | 22                   | 29   | 34                   | 40   | 55     | 66   | 82            | 96   | 133           | 161  |
| Intermittent (3x380-439 V) [A]   | 24.2                 | 31.9 | 37.4                 | 44   | 60.5   | 72.6 | 90.2          | 106  | 146           | 177  |
| Continuous (3x440-480 V) [A]   | 19                   | 25   | 31                   | 36   | 47     | 59   | 73            | 95   | 118           | 145  |
| Intermittent (3x440-480 V) [A]   | 20.9                 | 27.5 | 34.1                 | 39.6 | 51.7   | 64.9 | 80.3          | 105  | 130           | 160  |
| <b>Additional specifications</b>   |                      |      |                      |      |        |      |               |      |               |      |
| Estimated power loss at rated max. load [W] <sup>4)</sup>                                | 278                  | 392  | 465                  | 525  | 698    | 739  | 843           | 1083 | 1384          | 1474 |
| IP20 max. cable cross-section (mains, brake, motor and load sharing)                     | 16, 10, - (8, 8, -)  |      | 35, -, - (2, -, -)   |      | 35 (2) |      | 50 (1)        |      | 150 (300 MCM) |      |
| IP21, IP55, IP66 max. cable cross-section (mains, motor) [mm <sup>2</sup> /(AWG)]        | 10, 10, 16 (6, 8, 6) |      | 35, 25, 25 (2, 4, 4) |      | 50 (1) |      | 150 (300 MCM) |      |               |      |
| IP21, IP55, IP66 max. cable cross-section (brake, load sharing) [mm <sup>2</sup> /(AWG)] | 10, 10, - (8, 8, -)  |      | 35, -, - (2, -, -)   |      | 50 (1) |      | 95 (3/0)      |      |               |      |
| With mains disconnect switch included:<br>Efficiency <sup>3)</sup>                       | 0.98                 | 0.98 | 0.98                 | 0.98 | 0.98   | 0.98 | 0.98          | 0.98 | 0.98          | 0.99 |

Table 8.4 Mains Supply 3x380-480 V AC - Normal overload 110% for 1 minute, P11K-P90K



### 8.1.3 Mains Supply 3x525-600 V AC

| Type Designation   | P1K1                                    | P1K5 | P2K2 | P3K0 | P3K7 | P4K0 | P5K5 | P7K5 |
|--|---|------|------|------|------|------|------|------|
| Typical Shaft Output [kW]  | 1.1                                     | 1.5  | 2.2  | 3.0  | 3.7  | 4.0  | 5.5  | 7.5  |
| IP20/Chassis   | A3                                      | A3   | A3   | A3   | A2   | A3   | A3   | A3   |
| IP21/NEMA 1  | A3                                      | A3   | A3   | A3   | A2   | A3   | A3   | A3   |
| IP55/Type 12   | A5                                      | A5   | A5   | A5   | A5   | A5   | A5   | A5   |
| IP66/NEMA 4X   | A5                                      | A5   | A5   | A5   | A5   | A5   | A5   | A5   |
| <b>Output current</b>  |   |      |      |      |      |      |      |      |
| Continuous (3x525-550 V) [A]   | 2.6                                     | 2.9  | 4.1  | 5.2  | -    | 6.4  | 9.5  | 11.5 |
| Intermittent (3x525-550 V) [A]   | 2.9                                     | 3.2  | 4.5  | 5.7  | -    | 7.0  | 10.5 | 12.7 |
| Continuous (3x525-600 V) [A]   | 2.4                                     | 2.7  | 3.9  | 4.9  | -    | 6.1  | 9.0  | 11.0 |
| Intermittent (3x525-600 V) [A]   | 2.6                                     | 3.0  | 4.3  | 5.4  | -    | 6.7  | 9.9  | 12.1 |
| Continuous kVA (525 V AC) [kVA]  | 2.5                                     | 2.8  | 3.9  | 5.0  | -    | 6.1  | 9.0  | 11.0 |
| Continuous kVA (575 V AC) [kVA]  | 2.4                                     | 2.7  | 3.9  | 4.9  | -    | 6.1  | 9.0  | 11.0 |
| <b>Max. input current</b>  |   |      |      |      |      |      |      |      |
| Continuous (3x525-600 V) [A]   | 2.4                                     | 2.7  | 4.1  | 5.2  | -    | 5.8  | 8.6  | 10.4 |
| Intermittent (3x525-600 V) [A]   | 2.7                                     | 3.0  | 4.5  | 5.7  | -    | 6.4  | 9.5  | 11.5 |
| <b>Additional specifications</b>   |   |      |      |      |      |      |      |      |
| Estimated power loss at rated max. load [W] <sup>4)</sup>  | 50                                      | 65   | 92   | 122  | -    | 145  | 195  | 261  |
| IP20 max. cable cross-section <sup>5)</sup> (mains, motor, brake and load sharing) [mm <sup>2</sup> /(AWG)]        | 4, 4, 4 (12, 12, 12)<br>(min. 0.2 (24)) |      |      |      |      |      |      |      |
| IP55, IP 66 max. cable cross-section <sup>5)</sup> (mains, motor, brake and load sharing) [mm <sup>2</sup> /(AWG)] | 4, 4, 4 (12, 12, 12)<br>(min. 0.2 (24)) |      |      |      |      |      |      |      |
| Max. cable cross-section with disconnect   | 6, 4, 4 (12, 12, 12)                    |      |      |      |      |      |      |      |
| Mains disconnect switch included:  | 4/12                                    |      |      |      |      |      |      |      |
| Efficiency <sup>3)</sup>   | 0.97                                    | 0.97 | 0.97 | 0.97 | -    | 0.97 | 0.97 | 0.97 |



Table 8.5 Mains Supply 3x525-600 V AC - Normal overload 110% for 1 minute, P1K1-P7K5

| Type Designation   | P11K1                | P15K | P18K                 | P22K | P30K                 | P37K | P45K                                  | P55K                       | P75K | P90K         |
|--|----------------------|------|----------------------|------|----------------------|------|---------------------------------------|----------------------------|------|--------------|
| Typical Shaft Output [kW]  | 11                   | 15   | 18.5                 | 22   | 30                   | 37   | 45                                    | 55                         | 75   | 90           |
| IP20/Chassis   | B3                   | B3   | B3                   | B4   | B4                   | B4   | C3                                    | C3                         | C4   | C4           |
| IP21/NEMA 1  | B1                   | B1   | B1                   | B2   | B2                   | C1   | C1                                    | C1                         | C2   | C2           |
| IP55/Type 12   | B1                   | B1   | B1                   | B2   | B2                   | C1   | C1                                    | C1                         | C2   | C2           |
| IP66/NEMA 4X   | B1                   | B1   | B1                   | B2   | B2                   | C1   | C1                                    | C1                         | C2   | C2           |
| <b>Output current</b>  |                      |      |                      |      |                      |      |                                       |                            |      |              |
| Continuous (3x525-550 V) [A]   | 19                   | 23   | 28                   | 36   | 43                   | 54   | 65                                    | 87                         | 105  | 137          |
| Intermittent (3x525-550 V) [A]   | 21                   | 25   | 31                   | 40   | 47                   | 59   | 72                                    | 96                         | 116  | 151          |
| Continuous (3x525-600 V) [A]   | 18                   | 22   | 27                   | 34   | 41                   | 52   | 62                                    | 83                         | 100  | 131          |
| Intermittent (3x525-600 V) [A]   | 20                   | 24   | 30                   | 37   | 45                   | 57   | 68                                    | 91                         | 110  | 144          |
| Continuous kVA (525 V AC) [kVA]  | 18.1                 | 21.9 | 26.7                 | 34.3 | 41                   | 51.4 | 61.9                                  | 82.9                       | 100  | 130.5        |
| Continuous kVA (575 V AC) [kVA]  | 17.9                 | 21.9 | 26.9                 | 33.9 | 40.8                 | 51.8 | 61.7                                  | 82.7                       | 99.6 | 130.5        |
| <b>Max. input current</b>  |                      |      |                      |      |                      |      |                                       |                            |      |              |
| Continuous (3x525-600 V) [A]   | 17.2                 | 20.9 | 25.4                 | 32.7 | 39                   | 49   | 59                                    | 78.9                       | 95.3 | 124.3        |
| Intermittent (3x525-600 V) [A]   | 19                   | 23   | 28                   | 36   | 43                   | 54   | 65                                    | 87                         | 105  | 137          |
| <b>Additional specifications</b>   |                      |      |                      |      |                      |      |                                       |                            |      |              |
| Estimated power loss at rated max. load [W] <sup>4)</sup>  | 300                  | 400  | 475                  | 525  | 700                  | 750  | 850                                   | 1100                       | 1400 | 1500         |
| IP21, IP55, IP66 max. cable cross-section (mains, brake and load sharing) [mm <sup>2</sup> /(AWG)] | 16, 10, 10 (6, 8, 8) |      | 35, 25, 25 (2, 2, 2) |      | 50, 35, 35 (1, 1, 1) |      | 95 (4/0)                              |                            |      |              |
| IP21, IP55, IP66 max. cable cross-section (motor) [mm <sup>2</sup> /(AWG)]                         | 10, 10, - (8, 8, -)  |      | 35, 25, 25 (2, 4, 4) |      | 50, 35, 35 (1, 1, 1) |      | 150 (300 MCM)                         |                            |      |              |
| IP20 max. cable cross-section (mains, brake and load sharing) [mm <sup>2</sup> /(AWG)]             | 10, 10, - (8, 8, -)  |      | 35, -, - (2, -, -)   |      | 50, 35, 35 (1, 2, 2) |      | 150 (300 MCM)                         |                            |      |              |
| Max. cable cross-section with disconnect   | 16, 10, 10 (6, 8, 8) |      | 16/6                 |      | 50, 35, 35 (1, 2, 2) |      | 185, 150, 120 (350 MCM, 300 MCM, 4/0) | 95, 70, 70 (3/0, 2/0, 2/0) |      |              |
| Mains disconnect switch included:  | 0.98                 | 0.98 | 0.98                 | 0.98 | 0.98                 | 0.98 | 0.98                                  | 0.98                       | 0.98 | 185/kcmil350 |
| Efficiency <sup>3)</sup>   |                      |      |                      |      |                      |      |                                       |                            |      | 0.98         |

Table 8.6 Mains supply 3x525-600 V AC - Normal overload 110% for 1 minute, P11K-P90K

**8.1.4 Mains Supply 3x525-690 V AC**

| Type Designation   | P1K1                                    | P1K5 | P2K2 | P3K0 | P4K0 | P5K5 | P7K5 |
|--|---|------|------|------|------|------|------|
| Typical Shaft Output [kW]  | 1.1                                     | 1.5  | 2.2  | 3.0  | 4.0  | 5.5  | 7.5  |
| Enclosure IP20 (only)  | A3                                      | A3   | A3   | A3   | A3   | A3   | A3   |
| <b>Output current</b>  |   |      |      |      |      |      |      |
| Continuous (3x525-550 V) [A]   | 2.1                                     | 2.7  | 3.9  | 4.9  | 6.1  | 9.0  | 11   |
| Intermittent (3x525-550 V) [A]   | 3.4                                     | 4.3  | 6.2  | 7.8  | 9.8  | 14.4 | 17.6 |
| Continuous kVA (3x551-690 V) [A]   | 1.6                                     | 2.2  | 3.2  | 4.5  | 5.5  | 7.5  | 10   |
| Intermittent kVA (3x551-690 V) [A]   | 2.6                                     | 3.5  | 5.1  | 7.2  | 8.8  | 12   | 16   |
| Continuous kVA 525 V AC  | 1.9                                     | 2.5  | 3.5  | 4.5  | 5.5  | 8.2  | 10   |
| Continuous kVA 690 V AC  | 1.9                                     | 2.6  | 3.8  | 5.4  | 6.6  | 9.0  | 12   |
| <b>Max. input current</b>  |   |      |      |      |      |      |      |
| Continuous (3x525-550 V) [A]   | 1.9                                     | 2.4  | 3.5  | 4.4  | 5.5  | 8.0  | 10   |
| Intermittent (3x525-550 V) [A]   | 3.0                                     | 3.9  | 5.6  | 7.1  | 8.8  | 13   | 16   |
| Continuous kVA (3x551-690 V) [A]   | 1.4                                     | 2.0  | 2.9  | 4.0  | 4.9  | 6.7  | 9.0  |
| Intermittent kVA (3x551-690 V) [A]   | 2.3                                     | 3.2  | 4.6  | 6.5  | 7.9  | 10.8 | 14.4 |
| <b>Additional specifications</b>   |   |      |      |      |      |      |      |
| Estimated power loss at rated max. load [W] <sup>4)</sup>  | 44                                      | 60   | 88   | 120  | 160  | 220  | 300  |
| Max. cable cross section <sup>5)</sup> (mains, motor, brake and load sharing) [mm <sup>2</sup> ]/(AWG) | 6, 4, 4 (10, 12, 12)<br>(min. 0.2 (24)) |      |      |      |      |      |      |
| Max. cable cross-section with disconnect   | 6, 4, 4 (10, 12, 12)                    |      |      |      |      |      |      |
| Efficiency <sup>3)</sup>   | 0.96                                    | 0.96 | 0.96 | 0.96 | 0.96 | 0.96 | 0.96 |

**8**
**Table 8.7 Mains Supply 3x525-690 V AC - Normal overload 110% for 1 minute, P1K1-P7K5**

| Type Designation  | P11K                 | P15K | P18K | P22K | P30K |
|---|----------------------|------|------|------|------|
| High/Normal Load  | NO                   | NO   | NO   | NO   | NO   |
| Typical Shaft Output at 550 V [kW]  | 7.5                  | 11   | 15   | 18.5 | 22   |
| Typical Shaft Output at 690 V [kW]  | 11                   | 15   | 18.5 | 22   | 30   |
| IP20/Chassis  | B4                   | B4   | B4   | B4   | B4   |
| IP21/NEMA 1   | B2                   | B2   | B2   | B2   | B2   |
| IP55/NEMA 12  | B2                   | B2   | B2   | B2   | B2   |
| <b>Output current</b>   |                      |      |      |      |      |
| Continuous (3 x 525-550 V) [A]  | 14                   | 19   | 23   | 28   | 36   |
| Intermittent (60 s overload) (3 x 525-550 V) [A]  | 22.4                 | 20.9 | 25.3 | 30.8 | 39.6 |
| Continuous (3 x 551-690 V) [A]  | 13                   | 18   | 22   | 27   | 34   |
| Intermittent (60 s overload) (3 x 551-690 V) [A]  | 20.8                 | 19.8 | 24.2 | 29.7 | 37.4 |
| Continuous kVA (550 V AC) [kVA]   | 13.3                 | 18.1 | 21.9 | 26.7 | 34.3 |
| Continuous kVA (690 V AC) [kVA]   | 15.5                 | 21.5 | 26.3 | 32.3 | 40.6 |
| <b>Max. input current</b>   |                      |      |      |      |      |
| Continuous (at 550 V) [A]   | 15                   | 19.5 | 24   | 29   | 36   |
| Intermittent (60 s overload) (at 550 V) [A]   | 23.2                 | 21.5 | 26.4 | 31.9 | 39.6 |
| Continuous (at 690 V) [A]   | 14.5                 | 19.5 | 24   | 29   | 36   |
| Intermittent (60 s overload) (at 690 V) [A]   | 23.2                 | 21.5 | 26.4 | 31.9 | 39.6 |
| Max. pre-fuses <sup>1)</sup> [A]  | 63                   | 63   | 63   | 80   | 100  |
| <b>Additional specifications</b>  |                      |      |      |      |      |
| Estimated power loss at rated max. load [W] <sup>4)</sup>   | 150                  | 220  | 300  | 370  | 440  |
| Max. cable cross-section (mains/motor, load sharing and brake) [mm <sup>2</sup> ]/(AWG) <sup>2)</sup> | 35, 25, 25 (2, 4, 4) |      |      |      |      |
| Max. cable size with mains disconnect [mm <sup>2</sup> ]/(AWG) <sup>2)</sup>                          | 16, 10, 10 (6, 8, 8) |      |      |      |      |
| Efficiency <sup>3)</sup>  | 0.98                 | 0.98 | 0.98 | 0.98 | 0.98 |

**Table 8.8 Mains Supply 3 x 525-690 V AC - Normal overload 110% for 1 minute, P11K-P30K**

| Type Designation   | P37K                          | P45K | P55K | P75K                                     | P90K  |
|--|-------------------------------|------|------|--|-------|
| High/Normal Load   | NO                            | NO   | NO   | NO                                       | NO    |
| Typical Shaft Output at 550 V [kW]   | 30                            | 37   | 45   | 55                                       | 75    |
| Typical Shaft Output at 690 V [kW]   | 37                            | 45   | 55   | 75                                       | 90    |
| IP20/Chassis   | B4                            | C3   | C3   | D3h                                      | D3h   |
| IP21/NEMA 1  | C2                            | C2   | C2   | C2                                       | C2    |
| IP55/NEMA 12   | C2                            | C2   | C2   | C2                                       | C2    |
| <b>Output current</b>  |                               |      |      |  |       |
| Continuous (3 x 525-550 V) [A]   | 43                            | 54   | 65   | 87                                       | 105   |
| Intermittent (60 s overload) (3 x 525-550 V) [A]   | 47.3                          | 59.4 | 71.5 | 95.7                                     | 115.5 |
| Continuous (3 x 551-690 V) [A]   | 41                            | 52   | 62   | 83                                       | 100   |
| Intermittent (60 s overload) (3 x 551-690 V) [A]   | 45.1                          | 57.2 | 68.2 | 91.3                                     | 110   |
| Continuous kVA (550 V AC) [kVA]  | 41                            | 51.4 | 61.9 | 82.9                                     | 100   |
| Continuous kVA (690 V AC) [kVA]  | 49                            | 62.1 | 74.1 | 99.2                                     | 119.5 |
| <b>Max. input current</b>  |                               |      |      |  |       |
| Continuous (at 550 V) [A]  | 49                            | 59   | 71   | 87                                       | 99    |
| Intermittent (60 s overload) (at 550 V) [A]  | 53.9                          | 64.9 | 78.1 | 95.7                                     | 108.9 |
| Continuous (at 690 V) [A]  | 48                            | 58   | 70   | 86                                       | 94.3  |
| Intermittent (60 s overload) (at 690 V) [A]  | 52.8                          | 63.8 | 77   | 94.6                                     | 112.7 |
| Max. pre-fuses <sup>1)</sup> [A]   | 125                           | 160  | 160  | 160                                      | -     |
| <b>Additional specifications</b>   |                               |      |      |  |       |
| Estimated power loss at rated max. load [W] <sup>4)</sup>                                | 740                           | 900  | 1100 | 1500                                     | 1800  |
| Max. cable cross-section (mains and motor) [mm <sup>2</sup> ]/(AWG) <sup>2)</sup>        | 150 (300 MCM)                 |      |      |  |       |
| Max. cable cross-section (load sharing and brake) [mm <sup>2</sup> ]/(AWG) <sup>2)</sup> | 95 (3/0)                      |      |      |  |       |
| Max. cable size with mains disconnect [mm <sup>2</sup> ]/(AWG) <sup>2)</sup>             | 95, 70, 70<br>(3/0, 2/0, 2/0) |      |      | 185, 150, 120<br>(350 MCM, 300 MCM, 4/0) |       |
| Efficiency <sup>3)</sup>   | 0.98                          | 0.98 | 0.98 | 0.98                                     | 0.98  |

**Table 8.9 Mains Supply 3 x 525-690 V - Normal overload 110% for 1 minute, P37K-P90K**

<sup>1)</sup> For type of fuse see 8.8 Fuse Specifications.

<sup>2)</sup> American Wire Gauge.

<sup>3)</sup> Measured using 5 m screened motor cables at rated load and rated frequency.

<sup>4)</sup> The typical power loss is at normal load conditions and expected to be within  $\pm 15\%$  (tolerance relates to variety in voltage and cable conditions).

Values are based on a typical motor efficiency. Lower efficiency motors will also add to the power loss in the frequency converter and vice versa. If the switching frequency is raised from nominal, the power losses may rise significantly.

LCP and typical control card power consumptions are included. Further options and customer load may add up to 30 W to the losses. (Though typically only 4 W extra for a fully-loaded control card or options for slot A or slot B, each).

Although measurements are made with state-of-the-art equipment, some measurement inaccuracy must be allowed for ( $\pm 5\%$ ).

<sup>5)</sup> The three values for the max. cable cross section are for single core, flexible wire and flexible wire with sleeve, respectively. Motor and mains cable: 300 MCM/150 mm<sup>2</sup>.

<sup>6)</sup> A2+A3 may be converted to IP21 using a conversion kit. See also Mechanical mounting and IP21/Type 1 Enclosure kit in the Design Guide.

<sup>7)</sup> B3+4 and C3+4 may be converted to IP21 using a conversion kit. See also Mechanical mounting and IP21/Type 1 Enclosure kit in the Design Guide.

## 8.2 Mains Supply

### Mains supply

|                  |                          |
|------------------|--------------------------|
| Supply Terminals | L1, L2, L3               |
| Supply voltage   | 200-240 V ±10%           |
| Supply voltage   | 380-480 V/525-600 V ±10% |
| Supply voltage   | 525-690 V ±10%           |

#### Mains voltage low/mains drop-out:

During low mains voltage or a mains drop-out, the frequency converter continues until the intermediate circuit voltage drops below the minimum stop level, which corresponds typically to 15% below the frequency converter's lowest rated supply voltage. Power-up and full torque cannot be expected at mains voltage lower than 10% below the frequency converter's lowest rated supply voltage.

|   |   |
|---|---|
| Supply frequency  | 50/60 Hz ±5%                                |
| Max. imbalance temporary between mains phases             | 3.0 % of rated supply voltage               |
| True Power Factor ( $\lambda$ )                           | ≥ 0.9 nominal at rated load                 |
| Displacement Power Factor ( $\cos \phi$ )                 | near unity (> 0.98)                         |
| Switching on input supply L1, L2, L3 (power-ups) ≤ 7.5 kW | maximum 2 times/min.                        |
| Switching on input supply L1, L2, L3 (power-ups) 11-90 kW | maximum 1 time/min.                         |
| Environment according to EN60664-1                        | overvoltage category III/pollution degree 2 |

The unit is suitable for use on a circuit capable of delivering not more than 100,000 RMS symmetrical Amperes, 240/500/600/690 V maximum.

**8**

## 8.3 Motor Output and Motor Data

### Motor output (U, V, W)

|                              |                            |
|------------------------------|----------------------------|
| Output voltage               | 0 - 100% of supply voltage |
| Output frequency (1.1-90 kW) | 0-590 <sup>1)</sup> Hz     |
| Switching on output          | Unlimited                  |
| Ramp times                   | 1-3600 s                   |

<sup>1)</sup> From software version 3.92 the output frequency of the frequency converter is limited to 590 Hz. Contact local Danfoss partner for further information.

### Torque characteristics

|  |  |
|--|--|
| Starting torque (Constant torque)                            | maximum 110% for 60 s <sup>1)</sup>    |
| Starting torque  | maximum 135% up to 0.5 s <sup>1)</sup> |
| Overload torque (Constant torque)                            | maximum 110% for 60 s <sup>1)</sup>    |
| Starting torque (Variable torque)                            | maximum 110% for 60 s <sup>1)</sup>    |
| Overload torque (Variable torque)                            | maximum 110% for 60 s                  |
| Torque rise time in VVC <sup>plus</sup> (independent of fsw) | 10 ms                                  |

<sup>1)</sup> Percentage relates to the nominal torque.

<sup>2)</sup> The torque response time depends on application and load but as a general rule, the torque step from 0 to reference is 4-5 x torque rise time.

## 8.4 Ambient Conditions

### Environment

|   |   |
|---|---|
| IP rating   | IP00/Chassis, IP20 <sup>1)</sup> /Chassis, IP21 <sup>2)</sup> /Type 1, IP54/Type 12, IP55/Type 12, IP66/Type 4X |
| Vibration test  | 1.0 g   |
| Max. relative humidity  | 5% - 93% (IEC 721-3-3; Class 3K3 (non-condensing) during operation)   |
| Aggressive environment (IEC 60068-2-43) H <sub>2</sub> S test | class Kd  |

|   |  |
|---|--|
| Ambient temperature <sup>3)</sup>                       | Max. 50 °C (24-hour average maximum 45 °C) |
| Minimum ambient temperature during full-scale operation | 0 °C                                       |
| Minimum ambient temperature at reduced performance      | - 10 °C                                    |
| Temperature during storage/transport                    | -25 to +65/70 °C                           |
| Maximum altitude above sea level without derating       | 1000 m                                     |

*Derating for high altitude, see special conditions in the Design Guide*

|                         |  |
|-------------------------|--|
| EMC standards, Emission | EN 61800-3, EN 61000-6-3/4, EN 55011   |
| EMC standards, Immunity | EN 61800-3, EN 61000-6-1/2, EN 61000-4-2, EN 61000-4-3, EN 61000-4-4, EN 61000-4-5, EN 61000-4-6 |

*See section on special conditions in the Design Guide.*

<sup>1)</sup> Only for ≤ 3.7 kW (200-240 V), ≤ 7.5 kW (400-480 V)

<sup>2)</sup> As enclosure kit for ≤ 3.7 kW (200-240 V), ≤ 7.5 kW (400-480 V)

<sup>3)</sup> Derating for high ambient temperature, see special conditions in the Design Guide

## 8.5 Cable Specifications

Cable lengths and cross-sections for control cables<sup>1)</sup>

|  |                             |
|--|-----------------------------|
| Max. motor cable length, screened  | 150 m                       |
| Max. motor cable length, unscreened  | 300 m                       |
| Maximum cross section to control terminals, flexible/ rigid wire without cable end sleeves   | 1.5 mm <sup>2</sup> /16 AWG |
| Maximum cross section to control terminals, flexible wire with cable end sleeves             | 1 mm <sup>2</sup> /18 AWG   |
| Maximum cross section to control terminals, flexible wire with cable end sleeves with collar | 0.5 mm <sup>2</sup> /20 AWG |
| Minimum cross section to control terminals   | 0.25 mm <sup>2</sup> /24AWG |

<sup>1)</sup>For power cables, see electrical data tables in 8.1 Electrical Data.

## 8.6 Control Input/Output and Control Data

Digital inputs

|  |   |
|--|---|
| Programmable digital inputs                | 4 (6) <sup>1)</sup>                                   |
| Terminal number                            | 18, 19, 27 <sup>1)</sup> , 29 <sup>1)</sup> , 32, 33, |
| Logic                                      | PNP or NPN  |
| Voltage level                              | 0-24 V DC   |
| Voltage level, logic '0' PNP               | <5 V DC   |
| Voltage level, logic '1' PNP               | >10 V DC  |
| Voltage level, logic '0' NPN <sup>2)</sup> | >19 V DC  |
| Voltage level, logic '1' NPN <sup>2)</sup> | <14 V DC  |
| Maximum voltage on input                   | 28 V DC   |
| Pulse frequency range                      | 0-110 kHz   |
| (Duty cycle) Min. pulse width              | 4.5 ms  |
| Input resistance, R <sub>i</sub>           | approx. 4 kΩ  |

Safe Torque Off Terminal 37<sup>3, 4)</sup> (Terminal 37 is fixed PNP logic)

|                               |           |
|-------------------------------|-----------|
| Voltage level                 | 0-24 V DC |
| Voltage level, logic '0' PNP  | <4 V DC   |
| Voltage level, logic '1' PNP  | >20 V DC  |
| Maximum voltage on input      | 28 V DC   |
| Typical input current at 24 V | 50 mA rms |
| Typical input current at 20 V | 60 mA rms |
| Input capacitance             | 400 nF    |

*All digital inputs are galvanically isolated from the supply voltage (PELV) and other high-voltage terminals.*

<sup>1)</sup> Terminals 27 and 29 can also be programmed as output.

<sup>2)</sup> Except Safe Torque Off input Terminal 37.

<sup>3)</sup> See for further information about terminal 37 and Safe Torque Off.

<sup>4)</sup> When using a contactor with a DC coil inside in combination with Safe Torque Off, it is important to make a return way for the current from the coil when turning it off. This can be done by using a freewheel diode (or, alternatively, a 30 or 50 V MOV for quicker response time) across the coil. Typical contactors can be bought with this diode.

Analog inputs

|                                  |                                   |
|----------------------------------|-----------------------------------|
| Number of analog inputs          | 2                                 |
| Terminal number                  | 53, 54                            |
| Modes                            | Voltage or current                |
| Mode select                      | Switch S201 and switch S202       |
| Voltage mode                     | Switch S201/switch S202 = OFF (U) |
| Voltage level                    | -10 to +10 V (scalable)           |
| Input resistance, R <sub>i</sub> | approx. 10 kΩ                     |
| Max. voltage                     | ±20 V                             |
| Current mode                     | Switch S201/switch S202 = ON (I)  |
| Current level                    | 0/4 to 20 mA (scalable)           |
| Input resistance, R <sub>i</sub> | approx. 200 Ω                     |
| Max. current                     | 30 mA                             |
| Resolution for analog inputs     | 10 bit (+ sign)                   |
| Accuracy of analog inputs        | Max. error 0.5% of full scale     |
| Bandwidth                        | 20 Hz/100 Hz                      |

The analog inputs are galvanically isolated from the supply voltage (PELV) and other high-voltage terminals.

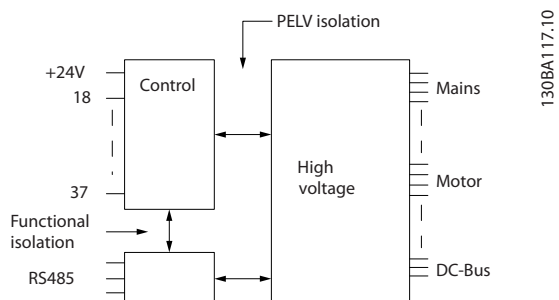


Illustration 8.1 PELV Isolation

Pulse

|                                   |  |
|-----------------------------------|--|
| Programmable pulse                | 2/1  |
| Terminal number pulse             | 29 <sup>1)</sup> , 33 <sup>2)</sup> / 33 <sup>3)</sup> |
| Max. frequency at terminal 29, 33 | 110 kHz (Push-pull driven)                             |
| Max. frequency at terminal 29, 33 | 5 kHz (open collector)                                 |
| Min. frequency at terminal 29, 33 | 4 Hz   |
| Voltage level                     | see 8.6.1 Digital Inputs                               |
| Maximum voltage on input          | 28 V DC  |
| Input resistance, R <sub>i</sub>  | approx. 4 kΩ   |
| Pulse input accuracy (0.1-1 kHz)  | Max. error: 0.1% of full scale                         |
| Encoder input accuracy (1-11 kHz) | Max. error: 0.05 % of full scale                       |

The pulse and encoder inputs (terminals 29, 32, 33) are galvanically isolated from the supply voltage (PELV) and other high-voltage terminals.

<sup>1)</sup> FC 302 only

<sup>2)</sup> Pulse inputs are 29 and 33

Analog output

|                                       |           |
|---------------------------------------|-----------|
| Number of programmable analog outputs | 1         |
| Terminal number                       | 42        |
| Current range at analog output        | 0/4-20 mA |

|                               |                                |
|-------------------------------|--------------------------------|
| Max. load GND - analog output | 500 Ω                          |
| Accuracy on analog output     | Max. error: 0.5% of full scale |
| Resolution on analog output   | 12 bit                         |

*The analog output is galvanically isolated from the supply voltage (PELV) and other high-voltage terminals.*

#### Control card, RS-485 serial communication

|                    |                                  |
|--------------------|----------------------------------|
| Terminal number    | 68 (P,TX+, RX+), 69 (N,TX-, RX-) |
| Terminal number 61 | Common for terminals 68 and 69   |

*The RS-485 serial communication circuit is functionally separated from other central circuits and galvanically isolated from the supply voltage (PELV).*

#### Digital output

|  |                                 |
|--|---------------------------------|
| Programmable digital/pulse outputs           | 2                               |
| Terminal number                              | 27, 29 <sup>1)</sup>            |
| Voltage level at digital/frequency output    | 0-24 V                          |
| Max. output current (sink or source)         | 40 mA                           |
| Max. load at frequency output                | 1 kΩ                            |
| Max. capacitive load at frequency output     | 10 nF                           |
| Minimum output frequency at frequency output | 0 Hz                            |
| Maximum output frequency at frequency output | 32 kHz                          |
| Accuracy of frequency output                 | Max. error: 0.1 % of full scale |
| Resolution of frequency outputs              | 12 bit                          |

<sup>1)</sup> Terminal 27 and 29 can also be programmed as input.

*The digital output is galvanically isolated from the supply voltage (PELV) and other high-voltage terminals.*

#### Control card, 24 V DC output

|                 |               |
|-----------------|---------------|
| Terminal number | 12, 13        |
| Output voltage  | 24 V +1, -3 V |
| Max. load       | 200 mA        |

*The 24 V DC supply is galvanically isolated from the supply voltage (PELV), but has the same potential as the analog and digital inputs and outputs.*

#### Relay outputs

|  |   |
|--|---|
| Programmable relay outputs   | 2   |
| Relay 01 Terminal number   | 1-3 (break), 1-2 (make)                     |
| Max. terminal load (AC-1) <sup>1)</sup> on 1-3 (NC), 1-2 (NO) (Resistive load)                           | 240 V AC, 2 A                               |
| Max. terminal load (AC-15) <sup>1)</sup> (Inductive load @ cosφ 0.4)                                     | 240 V AC, 0.2 A                             |
| Max. terminal load (DC-1) <sup>1)</sup> on 1-2 (NO), 1-3 (NC) (Resistive load)                           | 60 V DC, 1 A                                |
| Max. terminal load (DC-13) <sup>1)</sup> (Inductive load)  | 24 V DC, 0.1 A                              |
| Relay 02 (FC 302 only) Terminal number   | 4-6 (break), 4-5 (make)                     |
| Max. terminal load (AC-1) <sup>1)</sup> on 4-5 (NO) (Resistive load) <sup>2)3)</sup> Overvoltage cat. II | 400 V AC, 2 A                               |
| Max. terminal load (AC-15) <sup>1)</sup> on 4-5 (NO) (Inductive load @ cosφ 0.4)                         | 240 V AC, 0.2 A                             |
| Max. terminal load (DC-1) <sup>1)</sup> on 4-5 (NO) (Resistive load)                                     | 80 V DC, 2 A                                |
| Max. terminal load (DC-13) <sup>1)</sup> on 4-5 (NO) (Inductive load)                                    | 24 V DC, 0.1 A                              |
| Max. terminal load (AC-1) <sup>1)</sup> on 4-6 (NC) (Resistive load)                                     | 240 V AC, 2 A                               |
| Max. terminal load (AC-15) <sup>1)</sup> on 4-6 (NC) (Inductive load @ cosφ 0.4)                         | 240 V AC, 0.2 A                             |
| Max. terminal load (DC-1) <sup>1)</sup> on 4-6 (NC) (Resistive load)                                     | 50 V DC, 2 A                                |
| Max. terminal load (DC-13) <sup>1)</sup> on 4-6 (NC) (Inductive load)                                    | 24 V DC, 0.1 A                              |
| Min. terminal load on 1-3 (NC), 1-2 (NO), 4-6 (NC), 4-5 (NO)   | 24 V DC 10 mA, 24 V AC 20 mA                |
| Environment according to EN 60664-1  | overvoltage category III/pollution degree 2 |

<sup>1)</sup> IEC 60947 part 4 and 5

*The relay contacts are galvanically isolated from the rest of the circuit by reinforced isolation (PELV).*

<sup>2)</sup> Overvoltage Category II

<sup>3)</sup> UL applications 300 V AC 2A



**Control card, 10 V DC output**

|                 |               |
|-----------------|---------------|
| Terminal number | 50            |
| Output voltage  | 10.5 V ±0.5 V |
| Max. load       | 15 mA         |

The 10 V DC supply is galvanically isolated from the supply voltage (PELV) and other high-voltage terminals.

**Control characteristics**

|  |                             |
|--|-----------------------------|
| Resolution of output frequency at 0-590 Hz                               | ± 0.003 Hz                  |
| Repeat accuracy of <i>Precise start/stop</i> (terminals 18, 19)          | ≤± 0.1 ms                   |
| System response time (terminals 18, 19, 27, 29, 32, 33)                  | ≤ 2 ms                      |
| Speed control range (open loop)  | 1:100 of synchronous speed  |
| Speed control range (closed loop)  | 1:1000 of synchronous speed |
| Speed accuracy (open loop)   | 30-4000 rpm: error ±8 rpm   |
| Speed accuracy (closed loop), depending on resolution of feedback device | 0-6000 rpm: error ±0.15 rpm |

All control characteristics are based on a 4-pole asynchronous motor

**Control card performance**

|               |      |
|---------------|------|
| Scan interval | 1 ms |
|---------------|------|

**Control card, USB serial communication**

|              |                          |
|--------------|--------------------------|
| USB standard | 1.1 (Full speed)         |
| USB plug     | USB type B "device" plug |

Connection to PC is carried out via a standard host/device USB cable.

The USB connection is galvanically isolated from the supply voltage (PELV) and other high-voltage terminals.

The USB ground connection is not galvanically isolated from protection earth. Use only an isolated laptop as PC connection to the USB connector on the frequency converter.



## 8.7 Connection Tightening Torques

| Enclosure | Power [kW] |               |           |           | Torque [Nm]         |                     |               |       |       |       |
|-----------|------------|---------------|-----------|-----------|---------------------|---------------------|---------------|-------|-------|-------|
|           | 200-240 V  | 380-480/500 V | 525-600 V | 525-690 V | Mains               | Motor               | DC connection | Brake | Earth | Relay |
| A2        | 1.1-2.2    | 1.1-4.0       |           |           | 0.6                 | 0.6                 | 0.6           | 1.8   | 3     | 0.6   |
| A3        | 3.0-3.7    | 5.5-7.5       | 1.1-7.5   | 1.1-7.5   | 0.6                 | 0.6                 | 0.6           | 1.8   | 3     | 0.6   |
| A4        | 1.1-2.2    | 1.1-4.0       |           |           | 0.6                 | 0.6                 | 0.6           | 1.8   | 3     | 0.6   |
| A5        | 1.1-3.7    | 1.1-7.5       | 1.1-7.5   |           | 0.6                 | 0.6                 | 0.6           | 1.8   | 3     | 0.6   |
| B1        | 5.5-11     | 11-18         | 11-18     |           | 1.8                 | 1.8                 | 1.5           | 1.5   | 3     | 0.6   |
| B2        | 15         | 22-30         | 22-30     | 11-30     | 4.5                 | 4.5                 | 3.7           | 3.7   | 3     | 0.6   |
| B3        | 5.5 -11    | 11-18         | 11-18     |           | 1.8                 | 1.8                 | 1.8           | 1.8   | 3     | 0.6   |
| B4        | 15-18      | 22-37         | 22-37     | 11-37     | 4.5                 | 4.5                 | 4.5           | 4.5   | 3     | 0.6   |
| C1        | 18-30      | 37-55         | 37-55     |           | 10                  | 10                  | 10            | 10    | 3     | 0.6   |
| C2        | 37-45      | 75-90         | 75-90     | 37-90     | 14/24 <sup>1)</sup> | 14/24 <sup>1)</sup> | 14            | 14    | 3     | 0.6   |
| C3        | 22-30      | 45-55         | 45-55     | 45-55     | 10                  | 10                  | 10            | 10    | 3     | 0.6   |
| C4        | 37-45      | 75-90         | 75-90     |           | 14/24 <sup>1)</sup> | 14/24 <sup>1)</sup> | 14            | 14    | 3     | 0.6   |

**Table 8.10 Tightening of Terminals**

<sup>1)</sup> For different cable dimensions x/y, where x ≤ 95 mm<sup>2</sup> and y ≥ 95 mm<sup>2</sup>.

## 8.8 Fuse Specifications

It is recommended to use fuses and/or circuit breakers on the supply side as protection in case of component break-down inside the frequency converter (first fault).

### NOTICE

This is mandatory in order to ensure compliance with IEC 60364 for CE or NEC 2009 for UL.

The fuses below are suitable for use on a circuit capable of delivering 100,000 Arms (symmetrical), depending on the frequency converter voltage rating. With the proper fusing the frequency converter Short Circuit Current Rating (SCCR) is 100,000 Arms.

### 8.8.1 CE Compliance

#### 200-240 V

| Enclosure type | Power [kW] | Recommended fuse size                            | Recommended Max. fuse size      | Recommended circuit breaker (Moeller) | Max. trip level [A] |
|----------------|------------|--|---------------------------------|---------------------------------------|---------------------|
| A2             | 1.1-2.2    | gG-10 (1.1-1.5)<br>gG-16 (2.2)                   | gG-25                           | PKZM0-25                              | 25                  |
| A3             | 3.0-3.7    | gG-16 (3)<br>gG-20 (3.7)                         | gG-32                           | PKZM0-25                              | 25                  |
| B3             | 5.5-11     | gG-25 (5.5-7.5)<br>gG-32 (11)                    | gG-63                           | PKZM4-50                              | 50                  |
| B4             | 15-18      | gG-50 (15)<br>gG-63 (18)                         | gG-125                          | NZMB1-A100                            | 100                 |
| C3             | 22-30      | gG-80 (22)<br>aR-125 (30)                        | gG-150 (22)<br>aR-160 (30)      | NZMB2-A200                            | 150                 |
| C4             | 37-45      | aR-160 (37)<br>aR-200 (45)                       | aR-200 (37)<br>aR-250 (45)      | NZMB2-A250                            | 250                 |
| A4             | 1.1-2.2    | gG-10 (1.1-1.5)<br>gG-16 (2.2)                   | gG-32                           | PKZM0-25                              | 25                  |
| A5             | 0.25-3.7   | gG-10 (0.25-1.5)<br>gG-16 (2.2-3)<br>gG-20 (3.7) | gG-32                           | PKZM0-25                              | 25                  |
| B1             | 5.5-11     | gG-25 (5.5)<br>gG-32 (7.5-11)                    | gG-80                           | PKZM4-63                              | 63                  |
| B2             | 15         | gG-50  | gG-100                          | NZMB1-A100                            | 100                 |
| C1             | 18-30      | gG-63 (18.5)<br>gG-80 (22)<br>gG-100 (30)        | gG-160 (18.5-22)<br>aR-160 (30) | NZMB2-A200                            | 160                 |
| C2             | 37-45      | aR-160 (37)<br>aR-200 (45)                       | aR-200 (37)<br>aR-250 (45)      | NZMB2-A250                            | 250                 |

Table 8.11 200-240 V, Enclosure Types A, B and C

**380-480 V**

| Enclosure type | Power [kW] | Recommended fuse size                    | Recommended Max. fuse size | Recommended circuit breaker (Moeller) | Max. trip level [A] |
|----------------|------------|--|----------------------------|---------------------------------------|---------------------|
| A2             | 1.1-4.0    | gG-10 (1.1-3)<br>gG-16 (4)               | gG-25                      | PKZM0-25                              | 25                  |
| A3             | 5.5-7.5    | gG-16                                    | gG-32                      | PKZM0-25                              | 25                  |
| B3             | 11-18      | gG-40                                    | gG-63                      | PKZM4-50                              | 50                  |
| B4             | 22-37      | gG-50 (22)<br>gG-63 (30)<br>gG-80 (37)   | gG-125                     | NZMB1-A100                            | 100                 |
| C3             | 45-55      | gG-100 (45)<br>gG-160 (55)               | gG-150 (45)<br>gG-160 (55) | NZMB2-A200                            | 150                 |
| C4             | 75-90      | aR-200 (75)<br>aR-250 (90)               | aR-250                     | NZMB2-A250                            | 250                 |
| A4             | 1.1-4      | gG-10 (1.1-3)<br>gG-16 (4)               | gG-32                      | PKZM0-25                              | 25                  |
| A5             | 1.1-7.5    | gG-10 (1.1-3)<br>gG-16 (4-7.5)           | gG-32                      | PKZM0-25                              | 25                  |
| B1             | 11-18.5    | gG-40                                    | gG-80                      | PKZM4-63                              | 63                  |
| B2             | 22-30      | gG-50 (22)<br>gG-63 (30)                 | gG-100                     | NZMB1-A100                            | 100                 |
| C1             | 37-55      | gG-80 (37)<br>gG-100 (45)<br>gG-160 (55) | gG-160                     | NZMB2-A200                            | 160                 |
| C2             | 75-90      | aR-200 (75)<br>aR-250 (90)               | aR-250                     | NZMB2-A250                            | 250                 |

8

Table 8.12 380-480 V, Enclosure Types A, B and C

**525-600 V**

| Enclosure type | Power [kW] | Recommended fuse size                    | Recommended Max. fuse size    | Recommended circuit breaker (Moeller) | Max. trip level [A] |
|----------------|------------|--|-------------------------------|---------------------------------------|---------------------|
| A3             | 5.5-7.5    | gG-10 (5.5)<br>gG-16 (7.5)               | gG-32                         | PKZM0-25                              | 25                  |
| B3             | 11-18      | gG-25 (11)<br>gG-32 (15-18)              | gG-63                         | PKZM4-50                              | 50                  |
| B4             | 22-37      | gG-40 (22)<br>gG-50 (30)<br>gG-63 (37)   | gG-125                        | NZMB1-A100                            | 100                 |
| C3             | 45-55      | gG-63 (45)<br>gG-100 (55)                | gG-150                        | NZMB2-A200                            | 150                 |
| C4             | 75-90      | aR-160 (75)<br>aR-200 (90)               | aR-250                        | NZMB2-A250                            | 250                 |
| A5             | 1.1-7.5    | gG-10 (1.1-5.5)<br>gG-16 (7.5)           | gG-32                         | PKZM0-25                              | 25                  |
| B1             | 11-18      | gG-25 (11)<br>gG-32 (15)<br>gG-40 (18.5) | gG-80                         | PKZM4-63                              | 63                  |
| B2             | 22-30      | gG-50 (22)<br>gG-63 (30)                 | gG-100                        | NZMB1-A100                            | 100                 |
| C1             | 37-55      | gG-63 (37)<br>gG-100 (45)<br>aR-160 (55) | gG-160 (37-45)<br>aR-250 (55) | NZMB2-A200                            | 160                 |
| C2             | 75-90      | aR-200 (75-90)                           | aR-250                        | NZMB2-A250                            | 250                 |

Table 8.13 525-600 V, Enclosure Types A, B and C

525-690 V

| Enclosure type | Power [kW] | Recommended fuse size | Recommended Max. fuse size | Recommended circuit breaker (Moeller) | Max. trip level [A] |
|----------------|------------|-----------------------|----------------------------|---------------------------------------|---------------------|
| A3             | 1.1        | gG-6                  | gG-25                      | -                                     | -                   |
|                | 1.5        | gG-6                  | gG-25                      | -                                     | -                   |
|                | 2.2        | gG-6                  | gG-25                      | -                                     | -                   |
|                | 3          | gG-10                 | gG-25                      | -                                     | -                   |
|                | 4          | gG-10                 | gG-25                      | -                                     | -                   |
|                | 5.5        | gG-16                 | gG-25                      | -                                     | -                   |
|                | 7.5        | gG-16                 | gG-25                      | -                                     | -                   |
| B2/B4          | 11         | gG-25 (11)            | gG-63                      | -                                     | -                   |
|                | 15         | gG-32 (15)            |                            |                                       |                     |
|                | 18         | gG-32 (18)            |                            |                                       |                     |
|                | 22         | gG-40 (22)            |                            |                                       |                     |
| B4/C2          | 30         | gG-63 (30)            | gG-80 (30)                 |                                       |                     |
| C2/C3          | 37         | gG-63 (37)            | gG-100 (37)                | -                                     | -                   |
|                | 45         | gG-80 (45)            | gG-125 (45)                | -                                     | -                   |
| C2             | 55         | gG-100 (55)           | gG-160 (55-75)             | -                                     | -                   |
|                | 75         | gG-125 (75)           |                            |                                       |                     |

Table 8.14 525-690 V, Enclosure Types A, B and C

8

8.8.2 UL Compliance

3x200-240 V

| Power [kW] | Recommended max. fuse           |                 |                 |                  |                  |                  |
|------------|---------------------------------|-----------------|-----------------|------------------|------------------|------------------|
|            | Bussmann Type RK1 <sup>1)</sup> | Bussmann Type J | Bussmann Type T | Bussmann Type CC | Bussmann Type CC | Bussmann Type CC |
| 1.1        | KTN-R-10                        | JKS-10          | JJN-10          | FNQ-R-10         | KTK-R-10         | LP-CC-10         |
| 1.5        | KTN-R-15                        | JKS-15          | JJN-15          | FNQ-R-15         | KTK-R-15         | LP-CC-15         |
| 2.2        | KTN-R-20                        | JKS-20          | JJN-20          | FNQ-R-20         | KTK-R-20         | LP-CC-20         |
| 3.0        | KTN-R-25                        | JKS-25          | JJN-25          | FNQ-R-25         | KTK-R-25         | LP-CC-25         |
| 3.7        | KTN-R-30                        | JKS-30          | JJN-30          | FNQ-R-30         | KTK-R-30         | LP-CC-30         |
| 5.5        | KTN-R-50                        | KS-50           | JJN-50          | -                | -                | -                |
| 7.5        | KTN-R-60                        | JKS-60          | JJN-60          | -                | -                | -                |
| 11         | KTN-R-80                        | JKS-80          | JJN-80          | -                | -                | -                |
| 15-18.5    | KTN-R-125                       | JKS-125         | JJN-125         | -                | -                | -                |
| 22         | KTN-R-150                       | JKS-150         | JJN-150         | -                | -                | -                |
| 30         | KTN-R-200                       | JKS-200         | JJN-200         | -                | -                | -                |
| 37         | KTN-R-250                       | JKS-250         | JJN-250         | -                | -                | -                |

Table 8.15 3x200-240 V, Enclosure Types A, B and C

| Power [kW] | Recommended max. fuse |                      |                        |                                       |                                   |                   |                                    |                  |
|------------|-----------------------|----------------------|------------------------|---------------------------------------|-----------------------------------|-------------------|------------------------------------|------------------|
|            | SIBA Type RK1         | Littel fuse Type RK1 | Ferraz-Shawmut Type CC | Ferraz-Shawmut Type RK1 <sup>3)</sup> | Bussmann Type JFHR2 <sup>2)</sup> | Littel fuse JFHR2 | Ferraz-Shawmut JFHR2 <sup>4)</sup> | Ferraz-Shawmut J |
| 1.1        | 5017906-010           | KLN-R-10             | ATM-R-10               | A2K-10-R                              | FWX-10                            | -                 | -                                  | HSJ-10           |
| 1.5        | 5017906-016           | KLN-R-15             | ATM-R-15               | A2K-15-R                              | FWX-15                            | -                 | -                                  | HSJ-15           |
| 2.2        | 5017906-020           | KLN-R-20             | ATM-R-20               | A2K-20-R                              | FWX-20                            | -                 | -                                  | HSJ-20           |
| 3.0        | 5017906-025           | KLN-R-25             | ATM-R-25               | A2K-25-R                              | FWX-25                            | -                 | -                                  | HSJ-25           |
| 3.7        | 5012406-032           | KLN-R-30             | ATM-R-30               | A2K-30-R                              | FWX-30                            | -                 | -                                  | HSJ-30           |
| 5.5        | 5014006-050           | KLN-R-50             | -                      | A2K-50-R                              | FWX-50                            | -                 | -                                  | HSJ-50           |
| 7.5        | 5014006-063           | KLN-R-60             | -                      | A2K-60-R                              | FWX-60                            | -                 | -                                  | HSJ-60           |
| 11         | 5014006-080           | KLN-R-80             | -                      | A2K-80-R                              | FWX-80                            | -                 | -                                  | HSJ-80           |
| 15-18.5    | 2028220-125           | KLN-R-125            | -                      | A2K-125-R                             | FWX-125                           | -                 | -                                  | HSJ-125          |
| 22         | 2028220-150           | KLN-R-150            | -                      | A2K-150-R                             | FWX-150                           | L25S-150          | A25X-150                           | HSJ-150          |
| 30         | 2028220-200           | KLN-R-200            | -                      | A2K-200-R                             | FWX-200                           | L25S-200          | A25X-200                           | HSJ-200          |
| 37         | 2028220-250           | KLN-R-250            | -                      | A2K-250-R                             | FWX-250                           | L25S-250          | A25X-250                           | HSJ-250          |

Table 8.16 3x200-240 V, Enclosure Types A, B and C

- 1) KTS-fuses from Bussmann may substitute KTN for 240 V frequency converters.
- 2) FWH-fuses from Bussmann may substitute FWX for 240 V frequency converters.
- 3) A6KR fuses from FERRAZ SHAWMUT may substitute A2KR for 240 V frequency converters.
- 4) A50X fuses from FERRAZ SHAWMUT may substitute A25X for 240 V frequency converters.



3x380-480 V

| Power [kW] | Recommended max. fuse |                 |                 |                  |                  |                  |
|------------|-----------------------|-----------------|-----------------|------------------|------------------|------------------|
|            | Bussmann Type RK1     | Bussmann Type J | Bussmann Type T | Bussmann Type CC | Bussmann Type CC | Bussmann Type CC |
| 1.1        | KTS-R-6               | JKS-6           | JJS-6           | FNQ-R-6          | KTK-R-6          | LP-CC-6          |
| 1.5-2.2    | KTS-R-10              | JKS-10          | JJS-10          | FNQ-R-10         | KTK-R-10         | LP-CC-10         |
| 3          | KTS-R-15              | JKS-15          | JJS-15          | FNQ-R-15         | KTK-R-15         | LP-CC-15         |
| 4          | KTS-R-20              | JKS-20          | JJS-20          | FNQ-R-20         | KTK-R-20         | LP-CC-20         |
| 5.5        | KTS-R-25              | JKS-25          | JJS-25          | FNQ-R-25         | KTK-R-25         | LP-CC-25         |
| 7.5        | KTS-R-30              | JKS-30          | JJS-30          | FNQ-R-30         | KTK-R-30         | LP-CC-30         |
| 11         | KTS-R-40              | JKS-40          | JJS-40          | -                | -                | -                |
| 15         | KTS-R-50              | JKS-50          | JJS-50          | -                | -                | -                |
| 18         | KTS-R-60              | JKS-60          | JJS-60          | -                | -                | -                |
| 22         | KTS-R-80              | JKS-80          | JJS-80          | -                | -                | -                |
| 30         | KTS-R-100             | JKS-100         | JJS-100         | -                | -                | -                |
| 37         | KTS-R-125             | JKS-125         | JJS-125         | -                | -                | -                |
| 45         | KTS-R-150             | JKS-150         | JJS-150         | -                | -                | -                |
| 55         | KTS-R-200             | JKS-200         | JJS-200         | -                | -                | -                |
| 75-90      | KTS-R-250             | JKS-250         | JJS-250         | -                | -                | -                |

Table 8.17 3x380-480 V, Enclosure Types A, B and C

| Power [kW] | Recommended max. fuse |                      |                        |                         |                |                  |                                    |                   |
|------------|-----------------------|----------------------|------------------------|-------------------------|----------------|------------------|------------------------------------|-------------------|
|            | SIBA Type RK1         | Littel fuse Type RK1 | Ferraz-Shawmut Type CC | Ferraz-Shawmut Type RK1 | Bussmann JFHR2 | Ferraz-Shawmut J | Ferraz-Shawmut JFHR2 <sup>1)</sup> | Littel fuse JFHR2 |
| 1.1        | 5017906-006           | KLS-R-6              | ATM-R-6                | A6K-6-R                 | FWH-6          | HSJ-6            | -                                  | -                 |
| 1.5-2.2    | 5017906-010           | KLS-R-10             | ATM-R-10               | A6K-10-R                | FWH-10         | HSJ-10           | -                                  | -                 |
| 3          | 5017906-016           | KLS-R-15             | ATM-R-15               | A6K-15-R                | FWH-15         | HSJ-15           | -                                  | -                 |
| 4          | 5017906-020           | KLS-R-20             | ATM-R-20               | A6K-20-R                | FWH-20         | HSJ-20           | -                                  | -                 |
| 5.5        | 5017906-025           | KLS-R-25             | ATM-R-25               | A6K-25-R                | FWH-25         | HSJ-25           | -                                  | -                 |
| 7.5        | 5012406-032           | KLS-R-30             | ATM-R-30               | A6K-30-R                | FWH-30         | HSJ-30           | -                                  | -                 |
| 11         | 5014006-040           | KLS-R-40             | -                      | A6K-40-R                | FWH-40         | HSJ-40           | -                                  | -                 |
| 15         | 5014006-050           | KLS-R-50             | -                      | A6K-50-R                | FWH-50         | HSJ-50           | -                                  | -                 |
| 18         | 5014006-063           | KLS-R-60             | -                      | A6K-60-R                | FWH-60         | HSJ-60           | -                                  | -                 |
| 22         | 2028220-100           | KLS-R-80             | -                      | A6K-80-R                | FWH-80         | HSJ-80           | -                                  | -                 |
| 30         | 2028220-125           | KLS-R-100            | -                      | A6K-100-R               | FWH-100        | HSJ-100          | -                                  | -                 |
| 37         | 2028220-125           | KLS-R-125            | -                      | A6K-125-R               | FWH-125        | HSJ-125          | -                                  | -                 |
| 45         | 2028220-160           | KLS-R-150            | -                      | A6K-150-R               | FWH-150        | HSJ-150          | -                                  | -                 |
| 55         | 2028220-200           | KLS-R-200            | -                      | A6K-200-R               | FWH-200        | HSJ-200          | A50-P-225                          | L50-S-225         |
| 75-90      | 2028220-250           | KLS-R-250            | -                      | A6K-250-R               | FWH-250        | HSJ-250          | A50-P-250                          | L50-S-250         |

Table 8.18 3x380-480 V, Enclosure Types A, B and C

1) Ferraz-Shawmut A50QS fuses may substitute A50P fuses.

3x525-600 V

| Power [kW] | Recommended max. fuse |                 |                 |                  |                  |                  |               |                      |                         |                  |
|------------|-----------------------|-----------------|-----------------|------------------|------------------|------------------|---------------|----------------------|-------------------------|------------------|
|            | Bussmann Type RK1     | Bussmann Type J | Bussmann Type T | Bussmann Type CC | Bussmann Type CC | Bussmann Type CC | SIBA Type RK1 | Littel fuse Type RK1 | Ferraz-Shawmut Type RK1 | Ferraz-Shawmut J |
| 1.1        | KTS-R-5               | JKS-5           | JJS-6           | FNQ-R-5          | KTK-R-5          | LP-CC-5          | 5017906-005   | KLS-R-005            | A6K-5-R                 | HSJ-6            |
| 1.5-2.2    | KTS-R-10              | JKS-10          | JJS-10          | FNQ-R-10         | KTK-R-10         | LP-CC-10         | 5017906-010   | KLS-R-010            | A6K-10-R                | HSJ-10           |
| 3          | KTS-R-15              | JKS-15          | JJS-15          | FNQ-R-15         | KTK-R-15         | LP-CC-15         | 5017906-016   | KLS-R-015            | A6K-15-R                | HSJ-15           |
| 4          | KTS-R-20              | JKS-20          | JJS-20          | FNQ-R-20         | KTK-R-20         | LP-CC-20         | 5017906-020   | KLS-R-020            | A6K-20-R                | HSJ-20           |
| 5.5        | KTS-R-25              | JKS-25          | JJS-25          | FNQ-R-25         | KTK-R-25         | LP-CC-25         | 5017906-025   | KLS-R-025            | A6K-25-R                | HSJ-25           |
| 7.5        | KTS-R-30              | JKS-30          | JJS-30          | FNQ-R-30         | KTK-R-30         | LP-CC-30         | 5017906-030   | KLS-R-030            | A6K-30-R                | HSJ-30           |
| 11         | KTS-R-35              | JKS-35          | JJS-35          | -                | -                | -                | 5014006-040   | KLS-R-035            | A6K-35-R                | HSJ-35           |
| 15         | KTS-R-45              | JKS-45          | JJS-45          | -                | -                | -                | 5014006-050   | KLS-R-045            | A6K-45-R                | HSJ-45           |
| 18         | KTS-R-50              | JKS-50          | JJS-50          | -                | -                | -                | 5014006-050   | KLS-R-050            | A6K-50-R                | HSJ-50           |
| 22         | KTS-R-60              | JKS-60          | JJS-60          | -                | -                | -                | 5014006-063   | KLS-R-060            | A6K-60-R                | HSJ-60           |
| 30         | KTS-R-80              | JKS-80          | JJS-80          | -                | -                | -                | 5014006-080   | KLS-R-075            | A6K-80-R                | HSJ-80           |
| 37         | KTS-R-100             | JKS-100         | JJS-100         | -                | -                | -                | 5014006-100   | KLS-R-100            | A6K-100-R               | HSJ-100          |
| 45         | KTS-R-125             | JKS-125         | JJS-125         | -                | -                | -                | 2028220-125   | KLS-R-125            | A6K-125-R               | HSJ-125          |
| 55         | KTS-R-150             | JKS-150         | JJS-150         | -                | -                | -                | 2028220-150   | KLS-R-150            | A6K-150-R               | HSJ-150          |
| 75-90      | KTS-R-175             | JKS-175         | JJS-175         | -                | -                | -                | 2028220-200   | KLS-R-175            | A6K-175-R               | HSJ-175          |

Table 8.19 3x525-600 V, Enclosure Types A, B and C

3x525-690 V

| Power [kW] | Recommended max. fuse |                 |                 |                  |                  |                  |
|------------|-----------------------|-----------------|-----------------|------------------|------------------|------------------|
|            | Bussmann Type RK1     | Bussmann Type J | Bussmann Type T | Bussmann Type CC | Bussmann Type CC | Bussmann Type CC |
| 1.1        | KTS-R-5               | JKS-5           | JJS-6           | FNQ-R-5          | KTK-R-5          | LP-CC-5          |
| 1.5-2.2    | KTS-R-10              | JKS-10          | JJS-10          | FNQ-R-10         | KTK-R-10         | LP-CC-10         |
| 3          | KTS-R-15              | JKS-15          | JJS-15          | FNQ-R-15         | KTK-R-15         | LP-CC-15         |
| 4          | KTS-R-20              | JKS-20          | JJS-20          | FNQ-R-20         | KTK-R-20         | LP-CC-20         |
| 5.5        | KTS-R-25              | JKS-25          | JJS-25          | FNQ-R-25         | KTK-R-25         | LP-CC-25         |
| 7.5        | KTS-R-30              | JKS-30          | JJS-30          | FNQ-R-30         | KTK-R-30         | LP-CC-30         |
| 11         | KTS-R-35              | JKS-35          | JJS-35          | -                | -                | -                |
| 15         | KTS-R-45              | JKS-45          | JJS-45          | -                | -                | -                |
| 18         | KTS-R-50              | JKS-50          | JJS-50          | -                | -                | -                |
| 22         | KTS-R-60              | JKS-60          | JJS-60          | -                | -                | -                |
| 30         | KTS-R-80              | JKS-80          | JJS-80          | -                | -                | -                |
| 37         | KTS-R-100             | JKS-100         | JJS-100         | -                | -                | -                |
| 45         | KTS-R-125             | JKS-125         | JJS-125         | -                | -                | -                |
| 55         | KTS-R-150             | JKS-150         | JJS-150         | -                | -                | -                |
| 75-90      | KTS-R-175             | JKS-175         | JJS-175         | -                | -                | -                |

Table 8.20 3x525-690 V, Enclosure Types A, B and C

8

| Power [kW] | Max. prefuse | Recommended max. fuse    |                       |                       |                       |                            |                                       |                            |
|------------|--------------|--------------------------|-----------------------|-----------------------|-----------------------|----------------------------|---------------------------------------|----------------------------|
|            |              | Bussmann E52273 RK1/JDDZ | Bussmann E4273 J/JDDZ | Bussmann E4273 T/JDDZ | SIBA E180276 RK1/JDDZ | Littelfuse E81895 RK1/JDDZ | Ferraz-Shawmut E163267/E2137 RK1/JDDZ | Ferraz-Shawmut E2137 J/HSJ |
| 11         | 30 A         | KTS-R-30                 | JKS-30                | JKJS-30               | 5017906-030           | KLS-R-030                  | A6K-30-R                              | HST-30                     |
| 15-18.5    | 45 A         | KTS-R-45                 | JKS-45                | JJS-45                | 5014006-050           | KLS-R-045                  | A6K-45-R                              | HST-45                     |
| 22         | 60 A         | KTS-R-60                 | JKS-60                | JJS-60                | 5014006-063           | KLS-R-060                  | A6K-60-R                              | HST-60                     |
| 30         | 80 A         | KTS-R-80                 | JKS-80                | JJS-80                | 5014006-080           | KLS-R-075                  | A6K-80-R                              | HST-80                     |
| 37         | 90 A         | KTS-R-90                 | JKS-90                | JJS-90                | 5014006-100           | KLS-R-090                  | A6K-90-R                              | HST-90                     |
| 45         | 100 A        | KTS-R-100                | JKS-100               | JJS-100               | 5014006-100           | KLS-R-100                  | A6K-100-R                             | HST-100                    |
| 55         | 125 A        | KTS-R-125                | JKS-125               | JJS-125               | 2028220-125           | KLS-150                    | A6K-125-R                             | HST-125                    |
| 75-90      | 150 A        | KTS-R-150                | JKS-150               | JJS-150               | 2028220-150           | KLS-175                    | A6K-150-R                             | HST-150                    |

Table 8.21 3x525-690 V, Enclosure Types B and C

8.9 Power Ratings, Weight and Dimensions

| Enclosure Type                              | A2                | A3                | A4            | A5            | B1                        | B2                       | B3         | B4         | C1                       | C2                       | C3         | C4         |
|---|-------------------|-------------------|---------------|---------------|---------------------------|--------------------------|------------|------------|--------------------------|--------------------------|------------|------------|
| Rated Power [kW]                            | 200-240V          | 3.0-3.7           | 1.1-2.2       | 1.1-3.7       | 5.5-11                    | 15                       | 5.5-11     | 15-18      | 18-30                    | 37-45                    | 22-30      | 37-45      |
|   | 380-480/500V      | 5.5-7.5           | 1.1-4.0       | 1.1-7.5       | 11-18                     | 22-30                    | 11-18      | 22-37      | 37-55                    | 75-90                    | 45-55      | 75-90      |
| IP NEMA                                     | 525-600V          | 1.1-7.5           |               | 1.1-7.5       | 11-18                     | 22-30                    | 11-18      | 22-37      | 37-55                    | 75-90                    | 45-55      | 75-90      |
|   | 525-690V          | 1.1-7.5           |               |               | 11-30                     |                          |            |            |                          |                          |            |            |
| Height [mm]                                 | 20 Chassis Type 1 | 20 Chassis Type 1 | 55/66 Type 12 | 55/66 Type 12 | 21/ 55/66 Type 1/ Type 12 | 21/55/66 Type 1/ Type 12 | 20 Chassis | 20 Chassis | 21/55/66 Type 1/ Type 12 | 21/55/66 Type 1/ Type 12 | 20 Chassis | 20 Chassis |
|   |                   |                   |               |               |                           |                          |            |            |                          |                          |            |            |
| Height of back plate                        | A                 | 374               | -             | -             | -                         | -                        | -          | -          | -                        | -                        | -          | -          |
|   |                   |                   |               |               |                           |                          |            |            |                          |                          |            |            |
| Distance between mounting holes             | a                 | 257               | 350           | 401           | 454                       | 624                      | 380        | 495        | 648                      | 739                      | 521        | 631        |
|   |                   |                   |               |               |                           |                          |            |            |                          |                          |            |            |
| Width [mm]                                  | B                 | 90                | 130           | 200           | 242                       | 242                      | 165        | 230        | 308                      | 370                      | 308        | 370        |
|   |                   |                   |               |               |                           |                          |            |            |                          |                          |            |            |
| Width of back plate with one C option       | B                 | 130               | 170           | 242           | 242                       | 242                      | 205        | 230        | 308                      | 370                      | 308        | 370        |
|   |                   |                   |               |               |                           |                          |            |            |                          |                          |            |            |
| Width of back plate with two C options [mm] | B                 | 150               | 190           | 242           | 242                       | 242                      | 225        | 230        | 308                      | 370                      | 308        | 370        |
|   |                   |                   |               |               |                           |                          |            |            |                          |                          |            |            |
| Distance between mounting holes             | b                 | 70                | 110           | 171           | 210                       | 210                      | 140        | 200        | 272                      | 334                      | 270        | 330        |
|   |                   |                   |               |               |                           |                          |            |            |                          |                          |            |            |
| Depth [mm]                                  | C                 | 205               | 207           | 175           | 260                       | 260                      | 249        | 242        | 310                      | 335                      | 333        | 333        |
|   |                   |                   |               |               |                           |                          |            |            |                          |                          |            |            |
| With option A/B                             | C                 | 220               | 175           | 200           | 260                       | 260                      | 262        | 242        | 310                      | 335                      | 333        | 333        |
|   |                   |                   |               |               |                           |                          |            |            |                          |                          |            |            |
| Screw holes [mm]                            |                   |                   |               |               |                           |                          |            |            |                          |                          |            |            |
| c   | 8.0               | 8.0               | 8.0           | 8.25          | 12                        | 12                       | 8          | 12.5       | 12.5                     | 12.5                     | 12.5       | 12.5       |
|   |                   |                   |               |               |                           |                          |            |            |                          |                          |            |            |
| d   | ø11               | ø11               | ø11           | ø12           | ø19                       | ø19                      | 12         | ø19        | ø19                      | ø19                      | ø19        | ø19        |
|   |                   |                   |               |               |                           |                          |            |            |                          |                          |            |            |
| e   | ø5.5              | ø5.5              | ø6.5          | ø6.5          | ø9                        | ø9                       | 6.8        | 8.5        | ø9                       | ø9                       | 8.5        | 8.5        |
|   |                   |                   |               |               |                           |                          |            |            |                          |                          |            |            |
| f   | 9                 | 9                 | 6             | 9             | 9                         | 9                        | 7.9        | 15         | 9.8                      | 9.8                      | 17         | 17         |
|   |                   |                   |               |               |                           |                          |            |            |                          |                          |            |            |
| Max. weight [kg]                            | 4.9               | 5.3               | 9.7           | 13.5/14.2     | 23                        | 27                       | 12         | 23.5       | 45                       | 65                       | 35         | 50         |
|   |                   |                   |               |               |                           |                          |            |            |                          |                          |            |            |
| Front cover tightening torque [Nm]          |                   |                   |               |               |                           |                          |            |            |                          |                          |            |            |
| Plastic cover (low IP)                      | Click             | Click             | -             | -             | Click                     | Click                    | Click      | Click      | Click                    | Click                    | 2.0        | 2.0        |
|   |                   |                   |               |               |                           |                          |            |            |                          |                          |            |            |
| Metal cover (IP55/66)                       | -                 | -                 | 1.5           | 1.5           | 2.2                       | 2.2                      | -          | -          | 2.2                      | 2.2                      | 2.0        | 2.0        |
|   |                   |                   |               |               |                           |                          |            |            |                          |                          |            |            |

Table 8.22 Power Ratings, Weight and Dimensions



## 9 Appendix

### 9.1 Symbols and Abbreviations

|               |  |
|---------------|--|
| AC            | Alternating Current  |
| AEO           | Automatic Energy Optimization                                |
| AWG           | American Wire Gauge  |
| AMA           | Automatic Motor Adaptation                                   |
| °C            | Degrees Celsius  |
| DC            | Direct Current   |
| EMC           | Electro Magnetic Compatibility                               |
| ETR           | Electronic Thermal Relay                                     |
| FC            | Frequency Converter  |
| LCP           | Local Control Panel  |
| MCT           | Motion Control Tool  |
| IP            | Ingress Protection   |
| $I_{M,N}$     | Nominal Motor Current  |
| $f_{M,N}$     | Nominal Motor Frequency                                      |
| $P_{M,N}$     | Nominal Motor Power  |
| $U_{M,N}$     | Nominal Motor Voltage  |
| PM Motor      | Permanent Magnet Motor                                       |
| PELV          | Protective Extra Low Voltage                                 |
| PCB           | Printed Circuit Board  |
| $I_{LIM}$     | Current Limit  |
| $I_{INV}$     | Rated Inverter Output Current                                |
| RPM           | Revolutions Per Minute                                       |
| Regen         | Regenerative Terminals                                       |
| $n_s$         | Synchronous Motor Speed                                      |
| $T_{LIM}$     | Torque Limit   |
| $I_{VLT,MAX}$ | The Maximum Output Current                                   |
| $I_{VLT,N}$   | The Rated Output Current Supplied by the Frequency Converter |

Table 9.1 Symbols and Abbreviations

### 9.2 Parameter Menu Structure

| 0-0*                | 0-1*                   | 0-2*                  | 0-3*                              | 0-4*                         | 0-5*                   | 0-6*                   | 0-7*                   | 0-8*                         | 0-9*                          | 1-0*                       | 1-1*                 | 1-2*                | 1-3*                     | 1-4*                     | 1-5*                   | 1-6*                 | 1-7*                  | 1-8*                         | 1-9*                 | 2-0*                             | 2-1*                   | 2-2*                   | 2-3*                   | 2-4*                      | 2-5*                       | 2-6*                   | 2-7*             | 2-8*                 | 2-9*                    | 3-0*                             | 3-1*                              | 3-2*                                 | 3-3*                              | 3-4*                              | 3-5*                         | 3-6*                           | 3-7*                      | 3-8*                        | 3-9*                         | 4-0*                      | 4-1*                            | 4-2*                      | 4-3*                              | 4-4*                        | 4-5*                        | 4-6*                  | 4-7*             | 4-8*                       | 4-9*                       | 5-0*                             | 5-1*                            | 5-2*                              | 5-3*             | 5-4*             | 5-5*                                 | 5-6*                                | 5-7*                   | 5-8*                    | 5-9*                           | 6-0*                            | 6-1*                           | 6-2*                   | 6-3*                    | 6-4*                           | 6-5*                            | 6-6*         | 6-7*                              | 6-8*                      | 6-9*                              |                           |                                      |                           |                           |      |      |      |      |      |      |      |      |      |      |      |      |      |      |      |      |      |      |      |      |      |      |      |      |      |
|---------------------|------------------------|-----------------------|-----------------------------------|------------------------------|------------------------|------------------------|------------------------|------------------------------|-------------------------------|----------------------------|----------------------|---------------------|--------------------------|--------------------------|------------------------|----------------------|-----------------------|------------------------------|----------------------|----------------------------------|------------------------|------------------------|------------------------|---------------------------|----------------------------|------------------------|------------------|----------------------|-------------------------|----------------------------------|-----------------------------------|--------------------------------------|-----------------------------------|-----------------------------------|------------------------------|--------------------------------|---------------------------|-----------------------------|------------------------------|---------------------------|---------------------------------|---------------------------|-----------------------------------|-----------------------------|-----------------------------|-----------------------|------------------|----------------------------|----------------------------|----------------------------------|---------------------------------|-----------------------------------|------------------|------------------|--------------------------------------|-------------------------------------|------------------------|-------------------------|--------------------------------|---------------------------------|--------------------------------|------------------------|-------------------------|--------------------------------|---------------------------------|--------------|-----------------------------------|---------------------------|-----------------------------------|---------------------------|--------------------------------------|---------------------------|---------------------------|------|------|------|------|------|------|------|------|------|------|------|------|------|------|------|------|------|------|------|------|------|------|------|------|------|
| Operation / Display | Torque Characteristics | Thermistor Source     | Max Output Frequency              | Pulse Output Max Freq #X30/6 | Basic Settings         | Clockwise Direction    | Motor Selection        | DC-Brake                     | Warnings                      | Warning Current Low        | Warning Current High | Warning Speed Low   | Warning Speed High       | Warning Reference Low    | Warning Reference High | Warning Feedback Low | Warning Feedback High | Missing Motor Phase Function | Speed Bypass         | Bypass Speed From [RPM]          | Bypass Speed From [Hz] | Bypass Speed To [RPM]  | Bypass Speed To [Hz]   | Semi-Auto Bypass Set-up   | Digital In/Out             | Digital I/O mode       | Digital I/O Mode | Terminal 27 Mode     | Terminal 29 Mode        | Digital Inputs                   | Terminal 18 Digital Input         | Terminal 19 Digital Input            | Terminal 20 Digital Input         | Terminal 21 Digital Input         | Terminal 22 Digital Input    | Terminal 23 Digital Input      | Terminal 24 Digital Input | Terminal 25 Digital Input   | Terminal 26 Digital Input    | Terminal 27 Digital Input | Terminal 28 Digital Input       | Terminal 29 Digital Input | Terminal 30/2 Digital Input       | Terminal 30/3 Digital Input | Terminal 30/4 Digital Input | Terminal 37 Safe Stop | Digital Outputs  | Terminal 29 Digital Output | Terminal 27 Digital Output | Term X30/6 Digi Out (MCB 101)    | Term X30/7 Digi Out (MCB 101)   | Relays                            | Function Relay   | On Delay, Relay  | Off Delay, Relay                     | Pulse Input                         | Term. 29 Low Frequency | Term. 29 High Frequency | Term. 29 Low Ref./Feedb. Value | Term. 29 High Ref./Feedb. Value | Pulse Filter Time Constant #29 | Term. 33 Low Frequency | Term. 33 High Frequency | Term. 33 Low Ref./Feedb. Value | Term. 33 High Ref./Feedb. Value | Pulse Output | Terminal 27 Pulse Output Variable | Pulse Output Max Freq #27 | Terminal 29 Pulse Output Variable | Pulse Output Max Freq #29 | Terminal X30/6 Pulse Output Variable | Terminal X30/8 Min. Scale | Terminal X30/8 Max. Scale |      |      |      |      |      |      |      |      |      |      |      |      |      |      |      |      |      |      |      |      |      |      |      |      |      |
| Language            | Motor Selection        | Motor Construction    | Motor Power [kW]                  | Motor Power [HP]             | Regional Settings      | WVC+ PM                | Damping Gain           | Low Speed Filter Time Const. | High Speed Filter Time Const. | Voltage filter time const. | Motor Data           | Motor Power [kW]    | Motor Power [HP]         | Motor Voltage            | Motor Frequency        | Motor Current        | Motor Nominal Speed   | Motor Cont. Rated Torque     | Motor Rotation Check | Automatic Motor Adaptation (AMA) | Adv. Motor Data        | Stator Resistance (Rs) | Rotor Resistance (Rr)  | Main Reactance (Xh)       | Iron Loss Resistance (Rfe) | d-axis Inductance (Ld) | Motor Poles      | Back EMF at 1000 RPM | Position Detection Gain | Load Indep. Setting              | Motor Magnetisation at Zero Speed | Min Speed Normal Magnetising [RPM]   | Min Speed Normal Magnetising [Hz] | Min Speed Normal Magnetising [Hz] | Flystart Test Pulses Current | Flystart Test Pulses Frequency | Load Depen. Setting       | Low Speed Load Compensation | High Speed Load Compensation | Slip Compensation         | Slip Compensation Time Constant | Resonance Dampening       | Resonance Dampening Time Constant | Min. Current at Low Speed   | Start Adjustments           | PM Start Mode         | Start Delay      | Start Function             | Flying Start               | Compressor Start Max Speed [RPM] | Compressor Start Max Speed [Hz] | Compressor Start Max Time to Trip | Stop Adjustments | Function at Stop | Min Speed for Function at Stop [RPM] | Min Speed for Function at Stop [Hz] | Trip Speed Low [RPM]   | Trip Speed Low [Hz]     | Motor Temperature              | Motor Thermal Protection        | Motor External Fan             |                        |                         |                                |                                 |              |                                   |                           |                                   |                           |                                      |                           |                           |      |      |      |      |      |      |      |      |      |      |      |      |      |      |      |      |      |      |      |      |      |      |      |      |      |
| Active Set-up       | Programming Set-up     | This Set-up Linked to | Readout: Linked Set-ups / Channel | LCP Display                  | Display Line 1.1 Small | Display Line 1.2 Small | Display Line 1.3 Small | Display Line 2 Large         | Display Line 3 Large          | My Personal Menu           | LCP Custom Readout   | Custom Readout Unit | Custom Readout Min Value | Custom Readout Max Value | Display Text 1         | Display Text 2       | Display Text 3        | LCP keypad                   | [Hand on] Key on LCP | [Off] Key on LCP                 | [Auto on] Key on LCP   | [Reset] Key on LCP     | [Off/Reset] Key on LCP | [Drive Bypass] Key on LCP | Copy/Save                  | LCP Copy               | Set-up Copy      | Password             | Main Menu Password      | Access to Main Menu w/o Password | Personal Menu Password            | Access to Personal Menu w/o Password | Bus Access Password               | Clock Settings                    | Date and Time                | Date Format                    | Time Format               | DST/Summerime               | DST/Summerime Start          | DST/Summerime End         | Clock Fault                     | Working Days              | Additional Working Days           | Additional Non-Working Days | Date and Time Readout       | Load and Motor        | General Settings | Configuration Mode         |                            |                                  |                                 |                                   |                  |                  |                                      |                                     |                        |                         |                                |                                 |                                |                        |                         |                                |                                 |              |                                   |                           |                                   |                           |                                      |                           |                           |      |      |      |      |      |      |      |      |      |      |      |      |      |      |      |      |      |      |      |      |      |      |      |      |      |
| 0-01                | 0-02                   | 0-03                  | 0-04                              | 0-05                         | 0-06                   | 0-07                   | 0-08                   | 0-09                         | 0-10                          | 0-11                       | 0-12                 | 0-13                | 0-14                     | 0-15                     | 0-16                   | 0-17                 | 0-18                  | 0-19                         | 0-20                 | 0-21                             | 0-22                   | 0-23                   | 0-24                   | 0-25                      | 0-26                       | 0-27                   | 0-28             | 0-29                 | 0-30                    | 0-31                             | 0-32                              | 0-33                                 | 0-34                              | 0-35                              | 0-36                         | 0-37                           | 0-38                      | 0-39                        | 0-40                         | 0-41                      | 0-42                            | 0-43                      | 0-44                              | 0-45                        | 0-46                        | 0-47                  | 0-48             | 0-49                       | 0-50                       | 0-51                             | 0-52                            | 0-53                              | 0-54             | 0-55             | 0-56                                 | 0-57                                | 0-58                   | 0-59                    | 0-60                           | 0-61                            | 0-62                           | 0-63                   | 0-64                    | 0-65                           | 0-66                            | 0-67         | 0-68                              | 0-69                      | 0-70                              | 0-71                      | 0-72                                 | 0-73                      | 0-74                      | 0-75 | 0-76 | 0-77 | 0-78 | 0-79 | 0-80 | 0-81 | 0-82 | 0-83 | 0-84 | 0-85 | 0-86 | 0-87 | 0-88 | 0-89 | 0-90 | 0-91 | 0-92 | 0-93 | 0-94 | 0-95 | 0-96 | 0-97 | 0-98 | 0-99 |

|      |                                      |       |                                 |       |                                 |       |                                     |       |                                   |
|------|--------------------------------------|-------|---------------------------------|-------|---------------------------------|-------|-------------------------------------|-------|-----------------------------------|
| 6-63 | Terminal X30/8 Output Bus Control    | 9-15  | PCD Write Configuration         | 12-2* | Process Data                    | 14-01 | Switching Frequency                 | 15-23 | Historic log: Date and Time       |
| 6-64 | Terminal X30/8 Output Timeout Preset | 9-16  | PCD Read Configuration          | 12-20 | Control Instance                | 14-03 | Overmodulation                      | 15-3* | Alarm Log                         |
| 8-0* | <b>Comm. and Options</b>             | 9-18  | Node Address                    | 12-21 | Process Data Config Write       | 14-04 | PWM Random                          | 15-30 | Alarm Log: Error Code             |
| 8-01 | Control Site                         | 9-22  | Telegram Selection              | 12-22 | Process Data Config Read        | 14-1* | Mains On/Off                        | 15-31 | Alarm Log: Value                  |
| 8-02 | Control Source                       | 9-27  | Parameters for Signals          | 12-27 | Primary Master                  | 14-10 | Mains Failure                       | 15-32 | Alarm Log: Time                   |
| 8-03 | Control Timeout                      | 9-28  | Parameter Edit                  | 12-28 | Store Data Values               | 14-11 | Mains Voltage at Mains Fault        | 15-33 | Alarm Log: Date and Time          |
| 8-04 | Control Timeout Function             | 9-44  | Process Control                 | 12-29 | Store Data Always               | 14-12 | Function at Mains Imbalance         | 15-4* | Drive Identification              |
| 8-05 | End-of-Timeout Function              | 9-45  | Fault Message Counter           | 12-3* | EtherNet/IP                     | 14-2* | Reset Functions                     | 15-40 | FC Type                           |
| 8-06 | Reset Control Timeout                | 9-47  | Fault Code                      | 12-30 | Warning Parameter               | 14-20 | Reset Mode                          | 15-41 | Power Section                     |
| 8-07 | Diagnosis Trigger                    | 9-52  | Fault Number                    | 12-31 | Net Reference                   | 14-21 | Automatic Restart Time              | 15-42 | Voltage                           |
| 8-08 | Readout Filtering                    | 9-53  | Fault Situation Counter         | 12-32 | Net Control                     | 14-22 | Operation Mode                      | 15-43 | Software Version                  |
| 8-09 | Communication Charset                | 9-63  | Profibus Warning Word           | 12-33 | CIP Revision                    | 14-23 | Typecode Setting                    | 15-44 | Ordered Typecode String           |
| 8-1* | <b>Control Settings</b>              | 9-64  | Actual Baud Rate                | 12-34 | CIP Product Code                | 14-25 | Trip Delay at Torque Limit          | 15-45 | Actual Typecode String            |
| 8-10 | Control Profile                      | 9-65  | Device Identification           | 12-35 | EDS Parameter                   | 14-26 | Trip Delay at Inverter Fault        | 15-46 | Frequency Converter Ordering No   |
| 8-13 | Configurable Status Word STW         | 9-67  | Profile Number                  | 12-37 | COS Inhibit Timer               | 14-28 | Production Settings                 | 15-47 | Power Card Ordering No            |
| 8-3* | <b>FC Port Settings</b>              | 9-68  | Control Word 1                  | 12-38 | COS Filter                      | 14-29 | Service Code                        | 15-48 | LCP Id No                         |
| 8-30 | Protocol                             | 9-71  | Status Word 1                   | 12-4* | Modbus TCP                      | 14-3* | Current Limit Ctrl.                 | 15-49 | SW ID Control Card                |
| 8-31 | Address                              | 9-72  | Profibus Save Data Values       | 12-40 | Status Parameter                | 14-30 | Current Lim Ctrl, Proportional Gain | 15-50 | SW ID Power Card                  |
| 8-32 | Baud Rate                            | 9-75  | ProfibusDriveReset              | 12-41 | Slave Message Count             | 14-31 | Current Lim Ctrl, Integration Time  | 15-51 | Frequency Converter Serial Number |
| 8-33 | Parity / Stop Bits                   | 9-80  | DO Identification               | 12-42 | Slave Exception Message Count   | 14-32 | Current Lim Ctrl, Filter Time       | 15-53 | Power Card Serial Number          |
| 8-34 | Estimated cycle time                 | 9-81  | Defined Parameters (1)          | 12-8* | Other Ethernet Services         | 14-4* | Energy Optimising                   | 15-55 | Vendor URL                        |
| 8-35 | Minimum Response Delay               | 9-82  | Defined Parameters (2)          | 12-80 | FTP Server                      | 14-40 | VT Level                            | 15-56 | Vendor Name                       |
| 8-36 | Maximum Response Delay               | 9-83  | Defined Parameters (3)          | 12-81 | HTTP Server                     | 14-41 | AEO Minimum Magnetisation           | 15-59 | CSV Filename                      |
| 8-37 | Maximum Inter-Char Delay             | 9-84  | Defined Parameters (4)          | 12-82 | SMTP Service                    | 14-42 | Minimum AEO Frequency               | 15-6* | Option Ident                      |
| 8-4* | <b>FC telegram set</b>               | 9-90  | Defined Parameters (5)          | 12-89 | Transparent Socket Channel Port | 14-43 | Motor Cosphi                        | 15-60 | Option Mounted                    |
| 8-40 | Telegram Selection                   | 9-91  | Changed Parameters (1)          | 12-9* | Advanced Ethernet Services      | 14-5* | Environment                         | 15-61 | Option SW Version                 |
| 8-42 | PCD Write Configuration              | 9-92  | Changed Parameters (2)          | 12-90 | Cable Diagnostic                | 14-50 | RFI Filter                          | 15-62 | Option Ordering No                |
| 8-43 | PCD Read Configuration               | 9-93  | Changed Parameters (3)          | 12-91 | Auto Cross Over                 | 14-51 | DC Link Compensation                | 15-63 | Option Serial No                  |
| 8-5* | <b>Digital/Bus</b>                   | 9-94  | Changed Parameters (4)          | 12-92 | IGMP Snooping                   | 14-52 | Fan Control                         | 15-70 | Option in Slot A                  |
| 8-50 | Coasting Select                      | 9-99  | Changed Parameters (5)          | 12-93 | Cable Error Length              | 14-53 | Fan Monitor                         | 15-71 | Slot A Option SW Version          |
| 8-52 | DC Brake Select                      | 11-0* | <b>LonWorks</b>                 | 12-94 | Broadcast Storm Protection      | 14-55 | Output Filter                       | 15-72 | Option in Slot B                  |
| 8-53 | Start Select                         | 11-0* | LonWorks ID                     | 12-95 | Broadcast Storm Filter          | 14-59 | Actual Number of Inverter Units     | 15-73 | Slot B Option SW Version          |
| 8-54 | Reversing Select                     | 11-00 | Neuron ID                       | 12-96 | Port Config                     | 14-6* | Auto Derate                         | 15-8* | Operating Data II                 |
| 8-55 | Set-up Select                        | 11-1* | <b>Lon Functions</b>            | 12-99 | Interface Counters              | 14-60 | Function at Over Temperature        | 15-80 | Fan Running Hours                 |
| 8-56 | Preset Reference Select              | 11-10 | Drive Profile                   | 13-0* | Media Counters                  | 14-61 | Function at Inverter Overload       | 15-81 | Preset Fan Running Hours          |
| 8-7* | <b>BACnet</b>                        | 11-15 | Lon Warning Word                | 13-0* | SLC Settings                    | 14-62 | Inv. Overload Derate Current        | 15-9* | Parameter Info                    |
| 8-70 | BACnet Device Instance               | 11-17 | XIF Revision                    | 13-00 | SL Controller Mode              | 14-90 | Fault Level                         | 15-92 | Defined Parameters                |
| 8-72 | M5/TP Max Masters                    | 11-18 | LonWorks Revision               | 13-01 | Start Event                     | 15-0* | Drive Information                   | 15-98 | Modified Parameters               |
| 8-73 | M5/TP Max Info Frames                | 11-2* | <b>Lon Param. Access</b>        | 13-02 | Stop Event                      | 15-0* | Operating Data                      | 15-99 | Drive Identification              |
| 8-74 | "I-Am" Service                       | 11-21 | Store Data Values               | 13-03 | Reset SLC                       | 15-00 | Operating hours                     | 16-00 | Parameter Metadata                |
| 8-75 | Initialisation Password              | 12-2* | <b>Ethernet</b>                 | 13-1* | Comparators                     | 15-00 | Running hours                       | 16-0* | Data Readouts                     |
| 8-8* | <b>FC Port Diagnostics</b>           | 12-0* | <b>IP Settings</b>              | 13-10 | Comparator Operand              | 15-01 | Running hours                       | 16-0* | General Status                    |
| 8-80 | Bus Message Count                    | 12-01 | IP Address Assignment           | 13-11 | Comparator Operator             | 15-02 | kWh Counter                         | 16-00 | Control Word                      |
| 8-81 | Bus Error Count                      | 12-02 | Subnet Mask                     | 13-12 | Comparator Value                | 15-03 | Power Up's                          | 16-01 | Reference [Unit]                  |
| 8-82 | Slave Messages Rcvd                  | 12-03 | Default Gateway                 | 13-2* | Timers                          | 15-04 | Over Temp's                         | 16-02 | Reference [%]                     |
| 8-83 | Slave Error Count                    | 12-04 | DHCP Server                     | 13-20 | SL Controller Timer             | 15-05 | Over Volt's                         | 16-03 | Status Word                       |
| 8-84 | Slave Messages Sent                  | 12-05 | Lease Expires                   | 13-4* | <b>Logic Rules</b>              | 15-06 | Reset kWh Counter                   | 16-05 | Main Actual Value [%]             |
| 8-85 | Slave Timeout Errors                 | 12-06 | Name Servers                    | 13-40 | Logic Rule Boolean 1            | 15-08 | Reset Running Hours Counter         | 16-09 | Custom Readout                    |
| 8-89 | Diagnostics Count                    | 12-07 | Domain Name                     | 13-41 | Logic Rule Operator 1           | 15-1* | Data Log Settings                   | 16-10 | Power [kW]                        |
| 8-9* | <b>Bus Jog / Feedback</b>            | 12-08 | Host Name                       | 13-42 | Logic Rule Boolean 2            | 15-10 | Logging Source                      | 16-11 | Power [hp]                        |
| 8-90 | Bus Jog 1 Speed                      | 12-09 | Physical Address                | 13-43 | Logic Rule Operator 2           | 15-11 | Logging Interval                    | 16-12 | Motor Voltage                     |
| 8-91 | Bus Jog 2 Speed                      | 12-10 | <b>Ethernet Link Parameters</b> | 13-44 | Logic Rule Boolean 3            | 15-12 | Trigger Event                       | 16-13 | Frequency                         |
| 8-94 | Bus Feedback 1                       | 12-11 | Link Status                     | 13-51 | SL Controller Event             | 15-13 | Logging Mode                        | 16-14 | Motor current                     |
| 8-95 | Bus Feedback 2                       | 12-12 | Link Duration                   | 13-52 | SL Controller Action            | 15-14 | Samples Before Trigger              | 16-15 | Frequency [%]                     |
| 8-96 | Bus Feedback 3                       | 12-13 | Link Speed                      | 14-0* | <b>Special Functions</b>        | 15-2* | Historic Log                        | 16-16 | Torque [Nm]                       |
| 9-00 | Setpoint                             | 9-07  | Actual Value                    | 14-00 | Switching Pattern               | 15-20 | Historic Log: Event                 | 16-17 | Speed [RPM]                       |
| 9-07 |                                      |       |                                 |       |                                 | 15-21 | Historic Log: Value                 | 16-18 | Motor Thermal                     |
|      |                                      |       |                                 |       |                                 | 15-22 | Historic Log: Time                  | 16-20 | Motor Angle                       |

|              |                               |              |                              |              |                               |              |                                   |              |                               |
|--------------|-------------------------------|--------------|------------------------------|--------------|-------------------------------|--------------|-----------------------------------|--------------|-------------------------------|
| 16-22        | Torque [%]                    | 18-00        | Maintenance Log: Item        | 20-79        | PID Autotuning                | 21-57        | Ext. 3 Reference [Unit]           | 22-85        | Speed at Design Point [RPM]   |
| 16-26        | Power Filtered [kW]           | 18-01        | Maintenance Log: Action      | <b>20-8*</b> | <b>PID Basic Settings</b>     | 21-58        | Ext. 3 Feedback [Unit]            | 22-86        | Speed at Design Point [Hz]    |
| 16-27        | Power Filtered [hp]           | 18-02        | Maintenance Log: Time        | 20-81        | PID Normal/ Inverse Control   | 21-59        | Ext. 3 Output [%]                 | 22-87        | Pressure at No-Flow Speed     |
| <b>16-3*</b> | <b>Drive Status</b>           | <b>18-1*</b> | <b>Fire Mode Log</b>         | 20-82        | PID Start Speed [RPM]         | <b>21-6*</b> | <b>Ext. CL 3 PID</b>              | 22-88        | Pressure at Rated Speed       |
| 16-30        | DC Link Voltage               | 18-10        | FireMode Log:Event           | 20-83        | PID Start Speed [Hz]          | 21-60        | Ext. 3 Normal/Inverse Control     | 22-89        | Flow at Design Point          |
| 16-32        | Brake Energy /s               | 18-11        | Fire Mode Log: Time          | 20-84        | On Reference Bandwidth        | 21-61        | Ext. 3 Proportional Gain          | 22-90        | Flow at Rated Speed           |
| 16-33        | Brake Energy /2 min           | 18-12        | Fire Mode Log: Date and Time | 20-91        | <b>PID Controller</b>         | 21-62        | Ext. 3 Integral Time              | <b>23-**</b> | <b>Time-based Functions</b>   |
| 16-34        | Heatsink Temp.                | <b>18-3*</b> | <b>Inputs &amp; Outputs</b>  | 20-93        | PID Proportional Gain         | 21-63        | Ext. 3 Differentiation Time       | <b>23-0*</b> | <b>Timed Actions</b>          |
| 16-35        | Inverter Thermal              | 18-30        | Analog Input X42/1           | 20-94        | PID Integral Time             | 21-64        | Ext. 3 Dif. Gain Limit            | 23-00        | ON Time                       |
| 16-36        | Inv. Nom. Current             | 18-31        | Analog Input X42/3           | 20-95        | PID Differentiation Time      | <b>22-0*</b> | <b>Miscellaneous</b>              | 23-01        | ON Action                     |
| 16-37        | Inv. Max. Current             | 18-32        | Analog Input X42/5           | <b>21-0*</b> | <b>Ext. CL Autotuning</b>     | 22-00        | External Interlock Delay          | 23-02        | OFF Time                      |
| 16-38        | SL Controller State           | 18-33        | Analog Input X42/7 [V]       | 21-00        | Closed Loop Type              | 22-01        | Power Filter Time                 | 23-03        | OFF Action                    |
| 16-39        | Control Card Temp.            | 18-34        | Analog Out X42/9 [V]         | 21-01        | Low Power Auto Set-up         | 22-02        | External Interlock Delay          | 23-04        | Occurrence                    |
| 16-40        | Logging Buffer Full           | 18-35        | Analog Out X42/11 [V]        | 21-02        | PID Performance               | <b>22-2*</b> | <b>No-Flow Detection</b>          | <b>23-0*</b> | <b>Timed Actions Settings</b> |
| 16-41        | Logging Buffer Full           | 18-36        | Temp. Input X48/2 [mA]       | 21-03        | PID Output Change             | 22-20        | Low Power Auto Set-up             | 23-08        | Timed Actions Mode            |
| 16-43        | Timed Actions Status          | 18-37        | Temp. Input X48/4            | 21-04        | Minimum Feedback Level        | 22-21        | Low Speed Detection               | 23-09        | Timed Actions Reactivation    |
| 16-49        | Current Fault Source          | 18-38        | Temp. Input X48/7            | 21-05        | Minimum Feedback Level        | 22-22        | Low Speed Detection               | <b>23-1*</b> | <b>Maintenance</b>            |
| <b>16-5*</b> | <b>Ref. &amp; Feeds.</b>      | 18-39        | Temp. Input X48/10           | 21-09        | PID Autotuning                | 22-23        | No-Flow Function                  | 23-10        | Maintenance Item              |
| 16-50        | External Reference            | <b>18-5*</b> | <b>Ref. &amp; Feeds.</b>     | 21-11        | <b>Ext. CL 1 Ref./Fb.</b>     | 22-24        | No-Flow Delay                     | 23-11        | Maintenance Action            |
| 16-52        | Feedback[Unit]                | 18-50        | Sensorless Readout [unit]    | 21-10        | Ext. 1 Ref./Feedback Unit     | 22-26        | Dry Pump Function                 | 23-12        | Maintenance Time Base         |
| 16-53        | Digi Pot Reference            | <b>20-0*</b> | <b>Drive Closed Loop</b>     | 21-11        | Ext. 1 Minimum Reference      | 22-27        | Dry Pump Delay                    | 23-13        | Maintenance Time Interval     |
| 16-54        | Feedback 1 [Unit]             | 20-00        | Feedback 1 Source            | 21-12        | Ext. 1 Maximum Reference      | <b>22-3*</b> | <b>No-Flow Power Tuning</b>       | 23-14        | Maintenance Date and Time     |
| 16-55        | Feedback 2 [Unit]             | 20-01        | Feedback 1 Conversion        | 21-13        | Ext. 1 Reference Source       | 22-30        | No-Flow Power                     | <b>23-1*</b> | <b>Maintenance Reset</b>      |
| 16-56        | Feedback 3 [Unit]             | 20-02        | Feedback 2 Source Unit       | 21-14        | Ext. 1 Feedback Source        | 22-31        | Power Correction Factor           | 23-15        | Reset Maintenance Word        |
| <b>16-6*</b> | <b>Inputs &amp; Outputs</b>   | 20-03        | Feedback 2 Source            | 21-15        | Ext. 1 Setpoint               | 22-32        | Low Speed [Hz]                    | 23-16        | Maintenance Text              |
| 16-60        | Digital Input                 | 20-04        | Feedback 2 Conversion        | 21-17        | Ext. 1 Reference [Unit]       | 22-33        | Low Speed [Hz]                    | <b>23-5*</b> | <b>Energy Log</b>             |
| 16-61        | Terminal 53 Switch Setting    | 20-05        | Feedback 2 Source Unit       | 21-18        | Ext. 1 Feedback [Unit]        | 22-34        | Low Speed Power [kW]              | 23-50        | Energy Log Resolution         |
| 16-62        | Analog Input 53               | 20-06        | Feedback 3 Source            | 21-19        | Ext. 1 Output [%]             | 22-35        | Low Speed Power [HP]              | 23-51        | Period Start                  |
| 16-64        | Analog Input 54               | 20-07        | Feedback 3 Conversion        | <b>21-2*</b> | <b>Ext. CL 1 PID</b>          | 22-36        | High Speed [RPM]                  | 23-53        | Energy Log                    |
| 16-65        | Analog Output 42 [mA]         | 20-08        | Feedback 3 Source Unit       | 21-20        | Ext. 1 Normal/Inverse Control | 22-37        | High Speed [Hz]                   | 23-54        | Reset Energy Log              |
| 16-66        | Digital Output [bin]          | 20-09        | Feedback/Feedack Unit        | 21-21        | Ext. 1 Proportional Gain      | 22-38        | High Speed Power [kW]             | <b>23-6*</b> | <b>Trending</b>               |
| 16-67        | Pulse Input #29 [Hz]          | 20-12        | Reference/Feedack Unit       | 21-22        | Ext. 1 Integral Time          | 22-39        | High Speed Power [HP]             | 23-60        | Trend Variable                |
| 16-68        | Pulse Input #33 [Hz]          | 20-13        | Minimum Reference/Feedb.     | 21-23        | Ext. 1 Differentiation Time   | <b>22-4*</b> | <b>Sleep Mode</b>                 | 23-61        | Continuous Bin Data           |
| 16-69        | Pulse Output #27 [Hz]         | 20-14        | Maximum Reference/Feedb.     | 21-24        | Ext. 1 Setpoint               | 22-40        | Minimum Run Time                  | 23-62        | Timed Bin Data                |
| 16-70        | Pulse Output #29 [Hz]         | <b>20-2*</b> | <b>Feedback/Setpoint</b>     | 21-25        | Ext. 1 Reference [Unit]       | 22-41        | Minimum Speed Time                | 23-63        | Timed Period Start            |
| 16-71        | Relay Output [bin]            | 20-20        | Feedback Function            | 21-26        | Ext. 1 Feedback [Unit]        | 22-42        | Wake-up Speed [RPM]               | 23-64        | Timed Period Stop             |
| 16-72        | Counter A                     | 20-21        | Setpoint 1                   | 21-27        | Ext. 1 Reference [Unit]       | 22-43        | Wake-up Speed [Hz]                | 23-65        | Minimum Bin Value             |
| 16-73        | Counter B                     | 20-22        | Setpoint 2                   | <b>21-3*</b> | <b>Ext. CL 2 Ref./Fb.</b>     | 22-44        | Wake-up Ref./FB Difference        | 23-66        | Reset Continuous Bin Data     |
| 16-75        | Analog In X30/11              | 20-23        | Setpoint 3                   | 21-30        | Ext. 2 Ref./Feedback Unit     | 22-45        | Setpoint Boost                    | 23-67        | Reset Timed Bin Data          |
| 16-76        | Analog In X30/12              | <b>20-3*</b> | <b>Feeds. Adv. Conv.</b>     | 21-31        | Ext. 2 Minimum Reference      | <b>22-5*</b> | <b>End of Curve</b>               | <b>23-8*</b> | <b>Payback Counter</b>        |
| <b>16-8*</b> | <b>Fieldbus &amp; FC Port</b> | 20-30        | Refrigerant                  | 21-32        | Ext. 2 Maximum Reference      | 22-50        | End of Curve Function             | 23-80        | Power Reference Factor        |
| 16-80        | Fieldbus CTW 1                | 20-31        | User Defined Refrigerant A1  | 21-33        | Ext. 2 Reference Source       | 22-51        | End of Curve Delay                | 23-81        | Energy Cost                   |
| 16-82        | Fieldbus REF 1                | 20-32        | User Defined Refrigerant A2  | 21-34        | Ext. 2 Feedback Source        | 22-52        | End of Curve Delay                | 23-82        | Investment                    |
| 16-84        | Comm. Option STW              | 20-33        | User Defined Refrigerant A3  | 21-35        | Ext. 2 Setpoint               | <b>22-6*</b> | <b>Broken Belt Detection</b>      | 23-83        | Energy Savings                |
| 16-85        | FC Port CTW 1                 | 20-34        | Duct 1 Area [m2]             | 21-38        | Ext. 2 Reference [Unit]       | 22-60        | Broken Belt Function              | 23-84        | Cost Savings                  |
| 16-86        | FC Port REF 1                 | 20-35        | Duct 2 Area [m2]             | 21-39        | Ext. 2 Feedback [Unit]        | 22-61        | Broken Belt Torque                | <b>24-**</b> | <b>Appl. Functions 2</b>      |
| <b>16-9*</b> | <b>Diagnosis Readouts</b>     | 20-36        | Duct 1 Area [in2]            | <b>21-4*</b> | <b>Ext. CL 2 PID</b>          | 22-62        | Broken Belt Delay                 | <b>24-0*</b> | <b>Fire Mode</b>              |
| 16-90        | Alarm Word                    | 20-37        | Duct 2 Area [in2]            | 21-40        | Ext. 2 Normal/Inverse Control | <b>22-7*</b> | <b>Short Cycle Protection</b>     | 24-00        | Fire Mode Function            |
| 16-91        | Alarm Word 2                  | 20-38        | Air Density Factor [%]       | 21-41        | Ext. 2 Proportional Gain      | 22-75        | Short Cycle Protection            | 24-01        | Fire Mode Configuration       |
| 16-92        | Warning Word                  | <b>20-6*</b> | <b>Sensorless</b>            | 21-42        | Ext. 2 Integral Time          | 22-76        | Interval between Starts           | 24-02        | Fire Mode Unit                |
| 16-93        | Warning Word 2                | 20-60        | Sensorless Unit              | 21-43        | Ext. 2 Differentiation Time   | 22-77        | Minimum Run Time                  | 24-03        | Fire Mode Min Reference       |
| 16-94        | Ext. Status Word              | 20-69        | Sensorless Information       | 21-44        | Ext. 2 Dif. Gain Limit        | 22-78        | Minimum Run Time                  | 24-04        | Fire Mode Max Reference       |
| 16-95        | Ext. Status Word 2            | <b>20-7*</b> | <b>PID Autotuning</b>        | <b>21-5*</b> | <b>Ext. CL 3 Ref./Fb.</b>     | 22-79        | Minimum Run Time Override Value   | 24-05        | Fire Mode Preset Reference    |
| 16-96        | Maintenance Word              | 20-70        | Closed Loop Type             | 21-50        | Ext. 3 Ref./Feedback Unit     | <b>22-8*</b> | <b>Flow Compensation</b>          | 24-06        | Fire Mode Reference Source    |
| <b>18-**</b> | <b>Info &amp; Readouts</b>    | 20-71        | PID Performance              | 21-51        | Ext. 3 Minimum Reference      | 22-80        | Flow Compensation                 | 24-07        | Fire Mode Feedback Source     |
| <b>18-0*</b> | <b>Maintenance Log</b>        | 20-72        | PID Output Change            | 21-52        | Ext. 3 Maximum Reference      | 22-81        | Square-linear Curve Approximation | 24-09        | Fire Mode Alarm Handling      |
|              |                               | 20-73        | Minimum Feedback Level       | 21-53        | Ext. 3 Reference Source       | 22-82        | Work Point Calculation            | <b>24-1*</b> | <b>Drive Bypass</b>           |
|              |                               | 20-74        | Maximum Feedback Level       | 21-54        | Ext. 3 Feedback Source        | 22-83        | Speed at No-Flow [RPM]            | 24-10        | Drive Bypass Function         |
|              |                               |              |                              | 21-55        | Ext. 3 Setpoint               | 22-84        | Speed at No-Flow [Hz]             | 24-11        | Drive Bypass Delay Time       |

|       |                             |        |                                    |       |                                    |       |                          |
|-------|-----------------------------|--------|------------------------------------|-------|------------------------------------|-------|--------------------------|
| 24-9* | Multi-Motor Funct.          | 25-91  | Manual Alternation                 | 35-00 | Term. X48/4 Temperature Unit       | 99-2* | Platform Readouts        |
| 24-90 | Missing Motor Function      | 26-6** | Analog I/O Option                  | 35-01 | Term. X48/4 Input Type             | 99-29 | Platform Version         |
| 24-91 | Missing Motor Coefficient 1 | 26-0*  | Analog I/O Mode                    | 35-02 | Term. X48/7 Temperature Unit       | 99-4* | Software Control         |
| 24-92 | Missing Motor Coefficient 2 | 26-00  | Terminal X42/1 Mode                | 35-03 | Term. X48/7 Input Type             | 99-40 | Startup Wizard State     |
| 24-93 | Missing Motor Coefficient 3 | 26-01  | Terminal X42/3 Mode                | 35-04 | Term. X48/10 Temperature Unit      | 99-5* | PC Debug                 |
| 24-94 | Missing Motor Coefficient 4 | 26-02  | Terminal X42/5 Mode                | 35-05 | Term. X48/10 Input Type            | 99-50 | PC Debug Selection       |
| 24-95 | Locked Rotor Function       | 26-1*  | Analog Input X42/1                 | 35-06 | Temperature Sensor Alarm Function  | 99-51 | PC Debug 0               |
| 24-96 | Locked Rotor Coefficient 1  | 26-10  | Terminal X42/1 Low Voltage         | 35-1* | Temp. Input X48/4                  | 99-52 | PC Debug 1               |
| 24-97 | Locked Rotor Coefficient 2  | 26-11  | Terminal X42/1 High Voltage        | 35-14 | Term. X48/4 Filter Time Constant   | 99-53 | PC Debug 2               |
| 24-98 | Locked Rotor Coefficient 3  | 26-14  | Term. X42/1 Low Ref./Feedb. Value  | 35-15 | Term. X48/4 Temp. Monitor          | 99-54 | PC Debug 3               |
| 24-99 | Locked Rotor Coefficient 4  | 26-15  | Term. X42/1 High Ref./Feedb. Value | 35-16 | Term. X48/4 Low Temp. Limit        | 99-55 | PC Debug 4               |
| 25-0* | Cascade Controller          | 26-16  | Term. X42/1 Filter Time Constant   | 35-17 | Term. X48/4 High Temp. Limit       | 99-56 | Fan 1 Feedback           |
| 25-00 | System Settings             | 26-17  | Term. X42/1 Live Zero              | 35-2* | Temp. Input X48/7                  | 99-57 | Fan 2 Feedback           |
| 25-00 | Cascade Controller          | 26-2*  | Analog Input X42/3                 | 35-24 | Term. X48/7 Filter Time Constant   | 99-58 | PC Auxiliary Temp        |
| 25-02 | Motor Start                 | 26-20  | Terminal X42/3 Low Voltage         | 35-25 | Term. X48/7 Temp. Monitor          | 99-59 | Power Card Temp.         |
| 25-04 | Pump Cycling                | 26-21  | Terminal X42/3 High Voltage        | 35-26 | Term. X48/7 Low Temp. Limit        | 99-9* | Internal Values          |
| 25-05 | Fixed Lead Pump             | 26-24  | Term. X42/3 Low Ref./Feedb. Value  | 35-27 | Term. X48/7 High Temp. Limit       | 99-90 | Options present          |
| 25-06 | Number of Pumps             | 26-25  | Term. X42/3 High Ref./Feedb. Value | 35-3* | Temp. Input X48/10                 | 99-91 | Motor Power Internal     |
| 25-2* | Bandwidth Settings          | 26-26  | Term. X42/3 Filter Time Constant   | 35-34 | Term. X48/10 Filter Time Constant  | 99-92 | Motor Voltage Internal   |
| 25-20 | Staging Bandwidth           | 26-27  | Term. X42/3 Live Zero              | 35-35 | Term. X48/10 Temp. Monitor         | 99-93 | Motor Frequency Internal |
| 25-21 | Override Bandwidth          | 26-3*  | Analog Input X42/5                 | 35-36 | Term. X48/10 Low Temp. Limit       | 99-94 | Imbalance derate [%]     |
| 25-22 | Fixed Speed Bandwidth       | 26-30  | Terminal X42/5 Low Voltage         | 35-37 | Term. X48/10 High Temp. Limit      | 99-95 | Temperature derate [%]   |
| 25-23 | SBW Staging Delay           | 26-31  | Terminal X42/5 High Voltage        | 35-4* | Analog Input X48/2                 | 99-96 | Overload derate [%]      |
| 25-24 | SBW Destaging Delay         | 26-34  | Term. X42/5 Low Ref./Feedb. Value  | 35-42 | Term. X48/2 Low Current            |       |                          |
| 25-25 | OBW Time                    | 26-35  | Term. X42/5 High Ref./Feedb. Value | 35-43 | Term. X48/2 High Current           |       |                          |
| 25-26 | Destage At No-Flow          | 26-36  | Term. X42/5 Filter Time Constant   | 35-44 | Term. X48/2 Low Ref./Feedb. Value  |       |                          |
| 25-27 | Stage Function              | 26-37  | Term. X42/5 Live Zero              | 35-45 | Term. X48/2 High Ref./Feedb. Value |       |                          |
| 25-28 | Stage Function Time         | 26-4*  | Analog Out X42/7                   | 35-46 | Term. X48/2 Filter Time Constant   |       |                          |
| 25-29 | Destage Function            | 26-40  | Terminal X42/7 Output              | 35-47 | Term. X48/2 Live Zero              |       |                          |
| 25-30 | Destage Function Time       | 26-41  | Terminal X42/7 Min. Scale          | 99-9* | Devil support                      |       |                          |
| 25-4* | Staging Settings            | 26-42  | Terminal X42/7 Max. Scale          | 99-0* | DSP Debug                          |       |                          |
| 25-40 | Ramp Down Delay             | 26-43  | Terminal X42/7 Bus Control         | 99-00 | DAC 1 selection                    |       |                          |
| 25-41 | Ramp Up Delay               | 26-44  | Terminal X42/7 Timeout Preset      | 99-01 | DAC 2 selection                    |       |                          |
| 25-42 | Staging Threshold           | 26-5*  | Analog Out X42/9                   | 99-02 | DAC 3 selection                    |       |                          |
| 25-43 | Destaging Threshold         | 26-50  | Terminal X42/9 Output              | 99-03 | DAC 4 selection                    |       |                          |
| 25-44 | Staging Speed [RPM]         | 26-51  | Terminal X42/9 Min. Scale          | 99-04 | DAC 1 scale                        |       |                          |
| 25-45 | Staging Speed [Hz]          | 26-52  | Terminal X42/9 Max. Scale          | 99-05 | DAC 2 scale                        |       |                          |
| 25-46 | Destaging Speed [RPM]       | 26-53  | Terminal X42/9 Bus Control         | 99-06 | DAC 3 scale                        |       |                          |
| 25-47 | Destaging Speed [Hz]        | 26-54  | Terminal X42/9 Timeout Preset      | 99-07 | DAC 4 scale                        |       |                          |
| 25-5* | Alternation Settings        | 26-6*  | Analog Out X42/11                  | 99-08 | Test param 1                       |       |                          |
| 25-50 | Lead Pump Alternation       | 26-60  | Terminal X42/11 Output             | 99-09 | Test param 2                       |       |                          |
| 25-51 | Alternation Event           | 26-61  | Terminal X42/11 Min. Scale         | 99-10 | DAC Option Slot                    |       |                          |
| 25-52 | Alternation Time Interval   | 26-62  | Terminal X42/11 Max. Scale         | 99-1* | Hardware Control                   |       |                          |
| 25-53 | Alternation Timer Value     | 26-63  | Terminal X42/11 Bus Control        | 99-11 | RFI 2                              |       |                          |
| 25-54 | Alternation Predefined Time | 26-64  | Terminal X42/11 Timeout Preset     | 99-12 | Fan                                |       |                          |
| 25-55 | Alternate if Load < 50%     | 30-2** | Special Features                   | 99-1* | Software Readouts                  |       |                          |
| 25-56 | Staging Mode at Alternation | 30-2*  | Adv. Start Adjust                  | 99-13 | Idle time                          |       |                          |
| 25-58 | Run Next Pump Delay         | 30-22  | Locked Rotor Detection             | 99-14 | Paramdb requests in queue          |       |                          |
| 25-59 | Run on Mains Delay          | 30-23  | Locked Rotor Detection Time [s]    | 99-15 | Secondary Timer at Inverter Fault  |       |                          |
| 25-8* | Status                      | 31-1** | Bypass Option                      | 99-16 | No of Current Sensors              |       |                          |
| 25-80 | Cascade Status              | 31-00  | Bypass Mode                        | 99-2* | Heatsink Readouts                  |       |                          |
| 25-81 | Pump Status                 | 31-01  | Bypass Start Time Delay            | 99-20 | HS Temp. (PC1)                     |       |                          |
| 25-82 | Lead Pump                   | 31-02  | Bypass Trip Time Delay             | 99-21 | HS Temp. (PC2)                     |       |                          |
| 25-83 | Relay Status                | 31-03  | Test Mode Activation               | 99-22 | HS Temp. (PC3)                     |       |                          |
| 25-84 | Pump ON Time                | 31-10  | Bypass Status Word                 | 99-23 | HS Temp. (PC4)                     |       |                          |
| 25-85 | Relay ON Time               | 31-11  | Bypass Running Hours               | 99-24 | HS Temp. (PC5)                     |       |                          |
| 25-86 | Reset Relay Counters        | 31-19  | Remote Bypass Activation           | 99-25 | HS Temp. (PC6)                     |       |                          |
| 25-9* | Service                     | 35-9** | Sensor Input Option                | 99-26 | HS Temp. (PC7)                     |       |                          |
| 25-90 | Pump Interlock              | 35-0*  | Temp. Input Mode                   | 99-27 | HS Temp. (PC8)                     |       |                          |

**Index**

**A**

Abbreviations..... 63

**AC**

Input..... 4, 15  
 Mains..... 4, 15  
 Waveform..... 4

Additional Resources..... 3

AEO..... 26

Alarm Log..... 22

Alarms..... 34

AMA..... 26, 32, 36, 39

Ambient Conditions..... 51

**Analog**

Input..... 16, 17, 35  
 Output..... 16, 17  
 Signal..... 35  
 Speed Reference..... 28

Approvals..... 4

Auto On..... 23, 27, 32, 34

Auto-reset..... 21

**B**

Back Plate..... 10

Braking..... 37, 32

**C**

Certifications..... 4

Circuit Breakers..... 20

Clearance Requirements..... 10

Closed Loop..... 18

Communication Option..... 38

Conduit..... 20

**Control**

Card..... 35  
 Card, USB Serial Communication..... 55  
 Signal..... 32  
 Terminals..... 25, 32, 34, 23  
 Wiring..... 11, 13, 18, 20

**Cooling**

Cooling..... 10  
 Clearance..... 20

**Current**

Limit..... 42  
 Rating..... 35

**D**

**DC**

Current..... 4, 32  
 Link..... 35

Default Settings..... 23

Digital Input..... 17, 33, 36, 18

Dimensions..... 62

Discharge Time..... 5

Disconnect Switch..... 21

Disposal Instruction..... 4

**E**

Earth Wire..... 11

Electrical Interference..... 11

**EMC**

EMC..... 11  
 Interference..... 13

Exploded View..... 8

**External**

Alarm Reset..... 30  
 Commands..... 4, 34  
 Controllers..... 3  
 Interlock..... 18

**F**

Fault Log..... 22

Feedback..... 18, 20, 38, 33, 40

Floating Delta..... 16

Front Cover Tightening Torque..... 62

Fuses..... 11, 20, 38, 41

**G**

**Ground**

Connections..... 20  
 Wire..... 11

Grounded Delta..... 16

Grounding..... 14, 16, 21, 20

**H**

Hand On..... 23, 27, 32

Harmonics..... 4

High Voltage..... 5

**I**

IEC 61800-3..... 16

Initialisation..... 24

**Input**

Current..... 15  
 Disconnect..... 15  
 Power..... 11, 13, 15, 20, 21, 34, 41, 4  
 Signal..... 18  
 Terminal..... 15, 18, 21, 35  
 Voltage..... 21

|  |                    |  |                            |
|--|--------------------|--|----------------------------|
| <b>Installation</b>                        |                    | <b>Output</b>                            |                            |
| Installation.....                          | 17, 20             | Current.....                             | 32, 35                     |
| Environments.....                          | 10                 | Terminal.....                            | 21                         |
| <b>Intended Use</b> .....                  | 3                  | <b>Over-current Protection</b> .....     | 11                         |
| <b>Interference Isolation</b> .....        | 20                 | <b>Overvoltage</b> .....                 | 42, 33                     |
| <b>Isolated Mains</b> .....                | 16                 |  |                            |
| <b>Items Supplied</b> .....                | 7                  | <b>P</b>                                 |                            |
|  |                    | <b>Parameter Menu Structure</b> .....    | 64                         |
| <b>J</b>                                   |                    | <b>PELV</b> .....                        | 31                         |
| Jumper.....                                | 18                 | <b>Phase Loss</b> .....                  | 35                         |
|  |                    | <b>Potential Equalisation</b> .....      | 11                         |
| <b>L</b>                                   |                    | <b>Power</b>                             |                            |
| Leakage Current.....                       | 5                  | Connection.....                          | 11                         |
| <b>Lifting</b> .....                       | 10                 | Factor.....                              | 4, 20                      |
| <b>Local</b>                               |                    | Ratings.....                             | 62                         |
| Control.....                               | 21, 32, 23         | <b>Programming</b> .....                 | 18, 23, 35, 21, 22         |
| Control Panel.....                         | 21                 | <b>Pulse Start/stop</b> .....            | 30                         |
| Start.....                                 | 27                 |  |                            |
|  |                    | <b>Q</b>                                 |                            |
| <b>M</b>                                   |                    | <b>Qualified Personnel</b> .....         | 5                          |
| Main Menu.....                             | 22                 | <b>Quick Menu</b> .....                  | 22                         |
| Mains Voltage.....                         | 22, 32             |  |                            |
| Maintenance.....                           | 27                 | <b>R</b>                                 |                            |
| Manual Initialisation.....                 | 24                 | <b>Ramp-down Time</b> .....              | 42                         |
| <b>Menu</b>                                |                    | <b>Ramp-up Time</b> .....                | 42                         |
| Keys.....                                  | 22                 | <b>Reference</b> .....                   | 28, 32, 33, 22             |
| Structure.....                             | 22                 | <b>Relays</b> .....                      | 17                         |
| <b>Motor</b>                               |                    | <b>Remote</b>                            |                            |
| Cables.....                                | 11, 14             | Commands.....                            | 3                          |
| Current.....                               | 4, 26, 39, 22      | Reference.....                           | 33                         |
| Data.....                                  | 25, 36, 42, 39, 26 | <b>Reset</b> .....                       | 21, 34, 35, 39, 22, 23, 24 |
| Output.....                                | 51                 | <b>RFI Filter</b> .....                  | 16                         |
| Power.....                                 | 11, 39, 22         | <b>RMS Current</b> .....                 | 4                          |
| Protection.....                            | 3                  | <b>RS-485</b>                            |                            |
| Rotation.....                              | 27                 | RS-485.....                              | 19                         |
| Speeds.....                                | 24                 | Network Connection.....                  | 31                         |
| Status.....                                | 3                  | <b>Run</b>                               |                            |
| Thermistor.....                            | 31                 | Command.....                             | 27                         |
| Wiring.....                                | 13, 20             | Permissive.....                          | 33                         |
| <b>Mounting</b> .....                      | 10, 20             |  |                            |
| <b>Multiple Frequency Converters</b> ..... | 11, 14             | <b>S</b>                                 |                            |
|  |                    | <b>Safe Torque Off</b> .....             | 18                         |
| <b>N</b>                                   |                    | <b>Screened Twisted Pair (STP)</b> ..... | 19                         |
| Nameplate.....                             | 7                  | <b>Serial Communication</b> .....        | 16, 17, 32, 33, 34, 23     |
| Navigation Keys.....                       | 24, 32, 22         | <b>Setpoint</b> .....                    | 33                         |
|  |                    | <b>Set-up</b> .....                      | 27, 22                     |
| <b>O</b>                                   |                    | <b>Shielded Cable</b> .....              | 13, 20                     |
| Open Loop.....                             | 18                 | <b>Shock</b> .....                       | 10                         |
| Operation Keys.....                        | 22                 | <b>Short Circuit</b> .....               | 36                         |
| Optional Equipment.....                    | 18, 21             |  |                            |

Sleep Mode..... 34

Speed Reference..... 18, 27, 28, 32

Start Up..... 24

Start/stop Command..... 29

Status Mode..... 32

Storage..... 7

Supply Voltage..... 16, 17, 21, 38

Switching Frequency..... 33

Symbols..... 63

System Feedback..... 3

**T**

**Terminal**

53..... 18

54..... 18

**Thermal Protection**..... 4

**Thermistor**

Thermistor..... 16, 31

Control Wiring..... 16

**Tightening Of Terminals**..... 55

**Torque Limit**..... 42

**Transient Protection**..... 4

**Trip**

Trip..... 34

Lock..... 34

**U**

**Unintended Start**..... 5

**V**

**Vibration**..... 10

**Voltage**

Imbalance..... 35

Level..... 52

**VVCplus**..... 26

**W**

**Warnings**..... 34

**Weight**..... 62

**Windmilling**..... 6

**Wire Sizes**..... 11, 14

**Wiring Schematic**..... 12







[www.danfoss.com/drives](http://www.danfoss.com/drives)

Danfoss Power Electronics A/S  
Ulsnaes 1  
6300 Graasten  
Denmark  
[www.danfoss.com](http://www.danfoss.com)

---

Danfoss can accept no responsibility for possible errors in catalogues, brochures and other printed material. Danfoss reserves the right to alter its products without notice. This also applies to products already on order provided that such alterations can be made without subsequential changes being necessary in specifications already agreed. All trademarks in this material are property of the respective companies. Danfoss and the Danfoss logotype are trademarks of Danfoss A/S. All rights reserved.

---

